



Highline® Classic | K-3519

Two-piece elongated toilet, 1.0 gpf

Features

- Elongated bowl offers added room and comfort
- Equipped with Sloan FLUSHMATE® – Sloan® Valve Company
- Polished Chrome trip lever
- 1.0 gpf (3.8 lpf)
- 2-1/4" (57 mm) fully glazed trapway
- Comfort Height® feature offers chair-height seating that makes sitting down and standing up easier for most adults
- Left-hand trip lever



Sustainability



Available Colors/Finishes

Color tiles intended for reference only.

- 0 White
- 96 Biscuit
- 7 Black Black



1-800-4KOHLER (1-800-456-4537)
Kohler Co. reserves the right to make revisions without notice to product specifications.
For the most current specification sheet, go to www.kohler.com USA or www.kohler.ca Canada.
4-15-2026 8:2 - US-CA

THE BOLD LOOK
OF **KOHLER**

Codes/Standards

ADA, OBC, CSA B651 compliant when installed to the specific requirements of these regulations.
 Accessibility standards may require controls to be located on the open side of the toilet.
 Plumbing codes may require elongated toilets and elongated, open-front seats in public bathrooms.
 This product should be used with a WaterSense labeled counterpart with the same rated flush volume to ensure the complete system meets the requirements of this specification for water efficiency and performance.



ADA CSA B651 OBC

ASME A112.19.2/CSA B45.1
 DOE - Energy Policy Act 1992
 EPA WaterSense®
 ADA
 ICC/ANSI A117.1
 CSA B651
 OBC

Technical Information

Installation Type:	Floor-mount
Rough-in:	Standard 12" (305mm)
Flush Type:	Pressure Lite
Flush Rate:	1.0 gpf (3.8 lpf)
Bowl Shape:	Elongated
Seat-Mounting Holes:	5-1/2" (140 mm)
Waste Outlet:	Floor
Trapway Size:	2-3/16" (55 mm)
Trapway Type:	Exposed
Water Surface Size:	11-1/2" x 9-1/2" (292 mm x 241 mm)
Rim to Water Surface:	5-3/4" (146 mm)

Included Combo Skus

- K-4484 Toilet tank, 1.0 gpf
- K-4304 Elongated toilet bowl

Recommended Products/Accessories

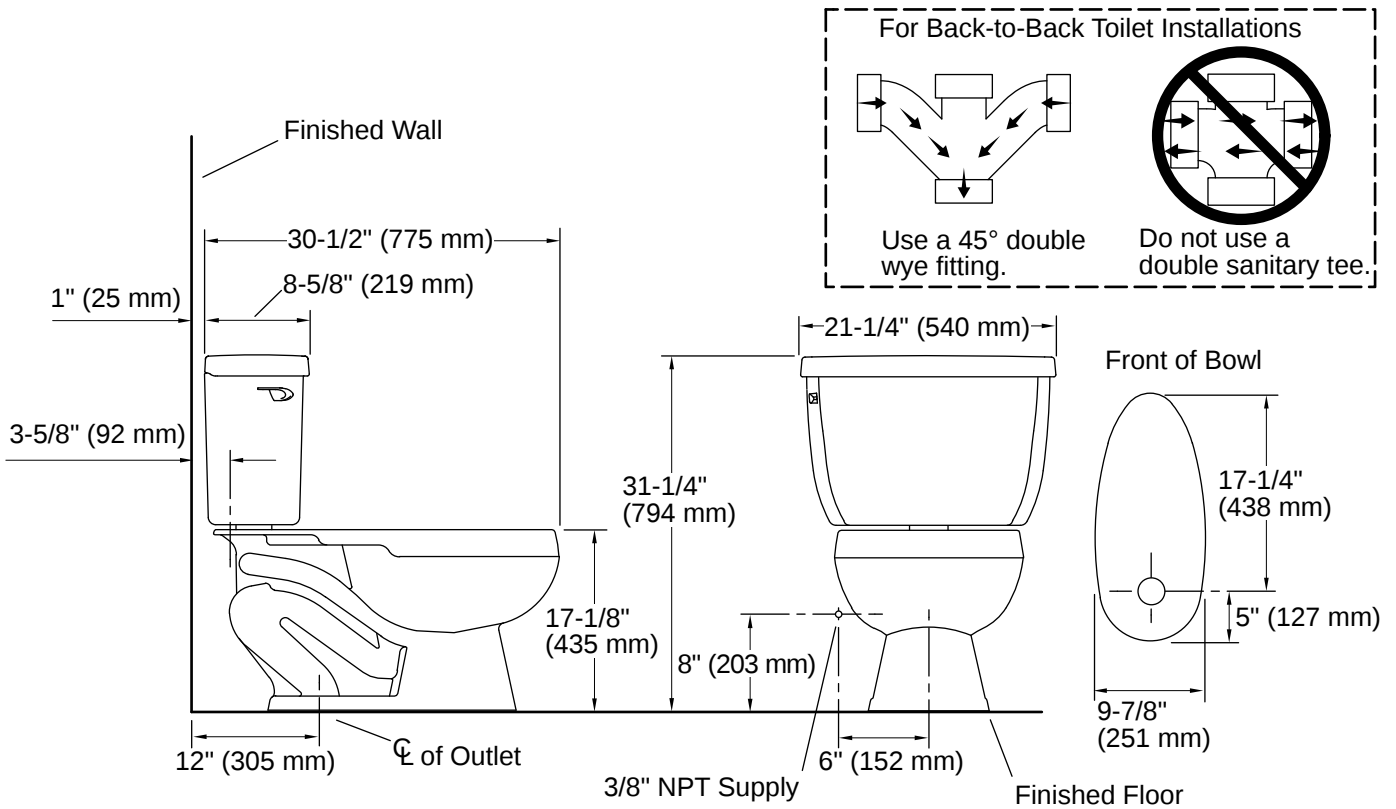
- K-5588 Deodorizing elongated toilet seat
- K-5420 Low-profile toilet bolt caps
- K-4108 Elongated bidet toilet seat with remote control

Warranty

See website for detailed warranty information.

KOHLER® One-Year Limited Warranty





Installation

- Seat and supply line sold separately
- Standard 12" (305 mm) rough-in

Installation Notes

Install this product according to the installation instructions.

For back-to-back toilet installations: Use only a 45° double wye fitting.

Product dimensions are nominal and may vary per ASME A112.19.2 tolerances.

ADA, OBC, CSA B651 compliant when installed to the specific requirements of these regulations.

Plumbing codes may require elongated toilets and elongated, open-front seats in public bathrooms.

Accessibility standards may require controls to be located on the open side of the toilet.

