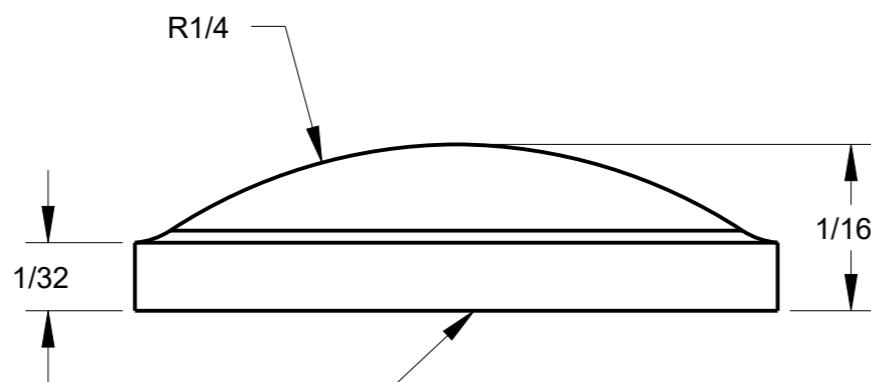
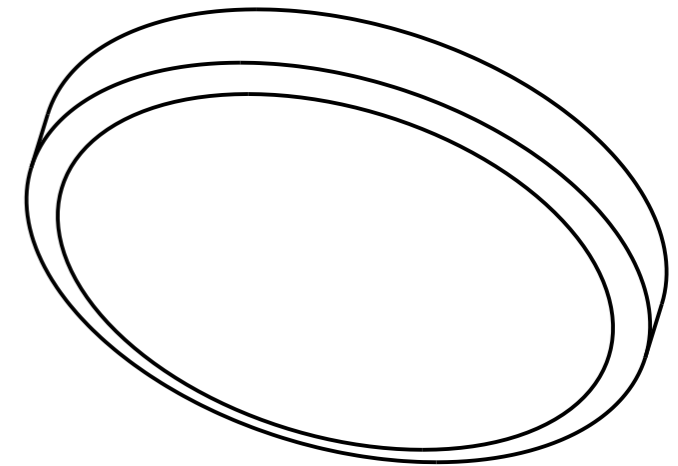
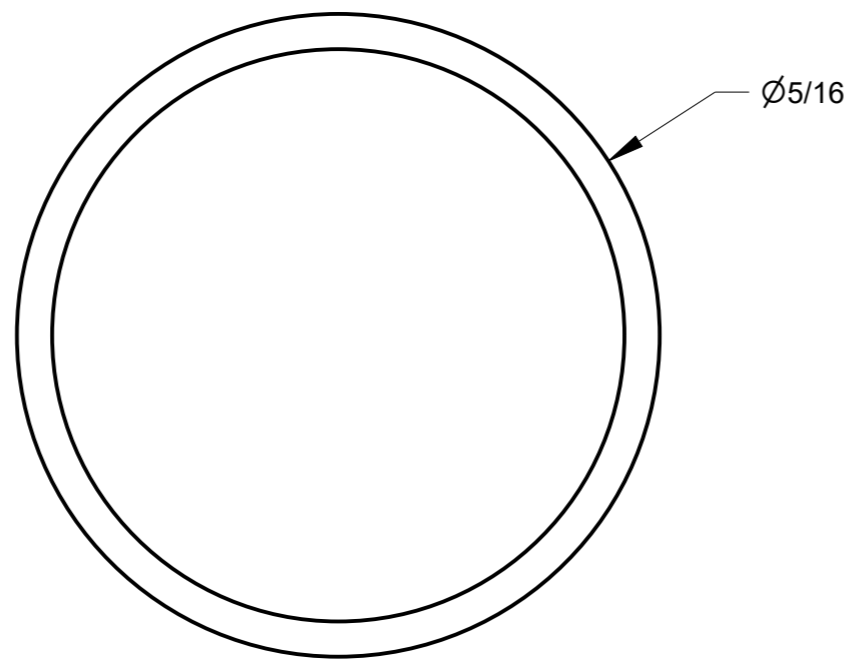


8 7 6 5 4 3 2 1

F
E
D
C
B
A



PRESSURE SENSITIVE ADHESIVE



HARDWARE RESOURCES RESERVES THE RIGHT TO CHANGE SPECIFICATIONS WITHOUT NOTICE. IN CASE OF A DISCREPANCY, ACTUAL PART GEOMETRY SUPERSEDES THIS DOCUMENT.

THE INFORMATION CONTAINED WITHIN THIS DRAWING IS THE SOLE PROPERTY OF HARDWARE RESOURCES INC. ANY REPRODUCTION IN PART OR WHOLE WITHOUT WRITTEN PERMISSION OF HARDWARE RESOURCES INC. IS PROHIBITED.

DOCUMENT STATUS Released	
UNLESS OTHERWISE SPECIFIED DIMENSIONS ARE IN INCHES (IN)	
MATERIAL POLYURETHANE	FINISH CLEAR
THIRD ANGLE PROJECTION	DATE 02JUN2022

DESCRIPTION		
DOOR BUMPER, 2.2MM X 5/16IN DIAMETER, POLY, CLEAR		
DRAWING NUMBER 85202CL-K		REV A
SIZE A3	SCALE 7.000	SHEET 1 / 1

8 7 6 5 4 3 2 1