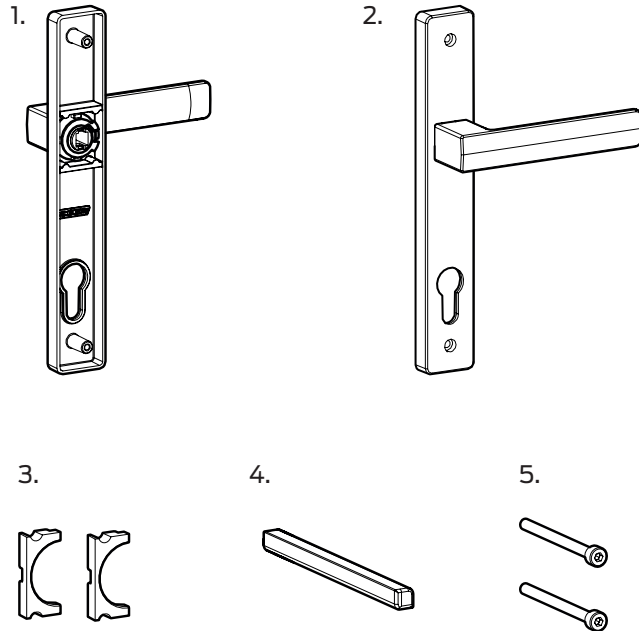




Verta Narrow Plate Furniture Lock Installation Instructions

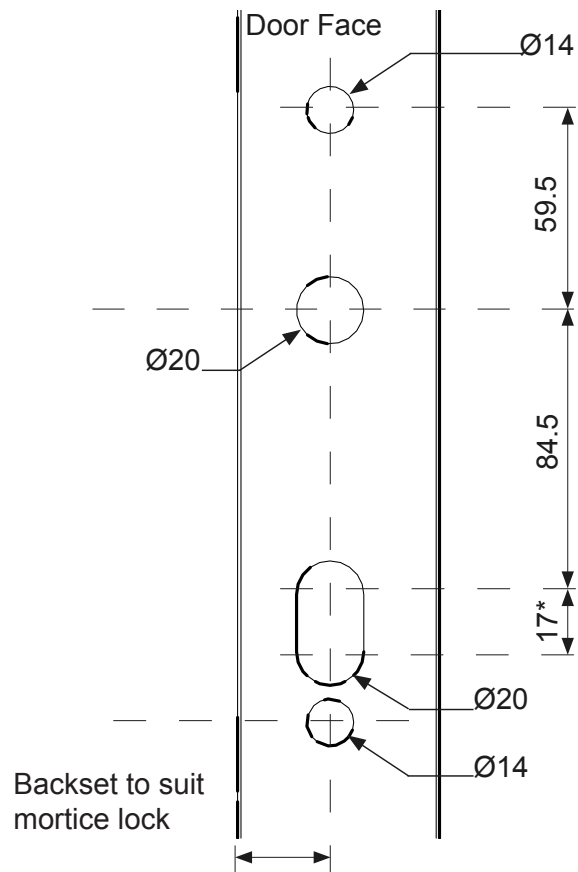
Contents

1. Furniture (assembled)
2. Furniture (assembled)
3. 2 x Handing blocks
4. Spindle
5. 2 x Furniture screws



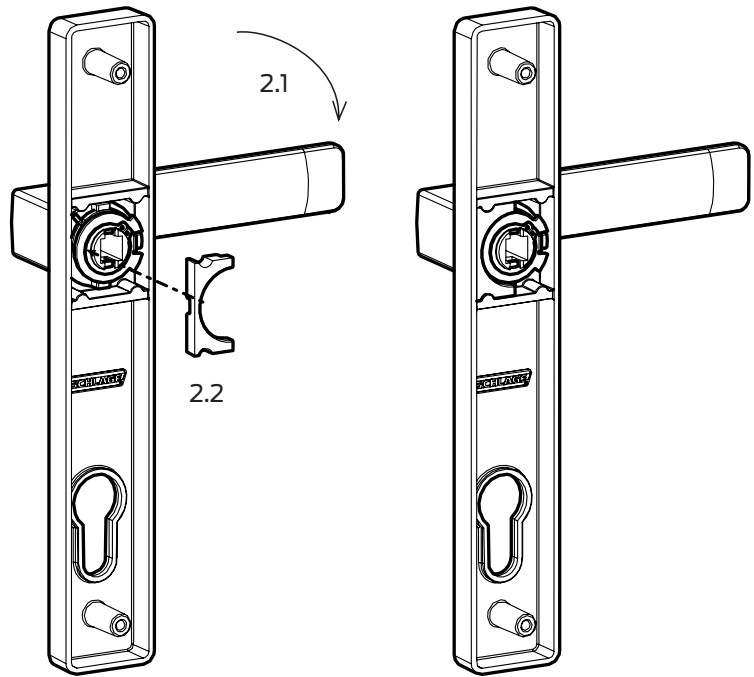
Step 1: Door Preparation

- 1.1 Route the door as per technical dimensions



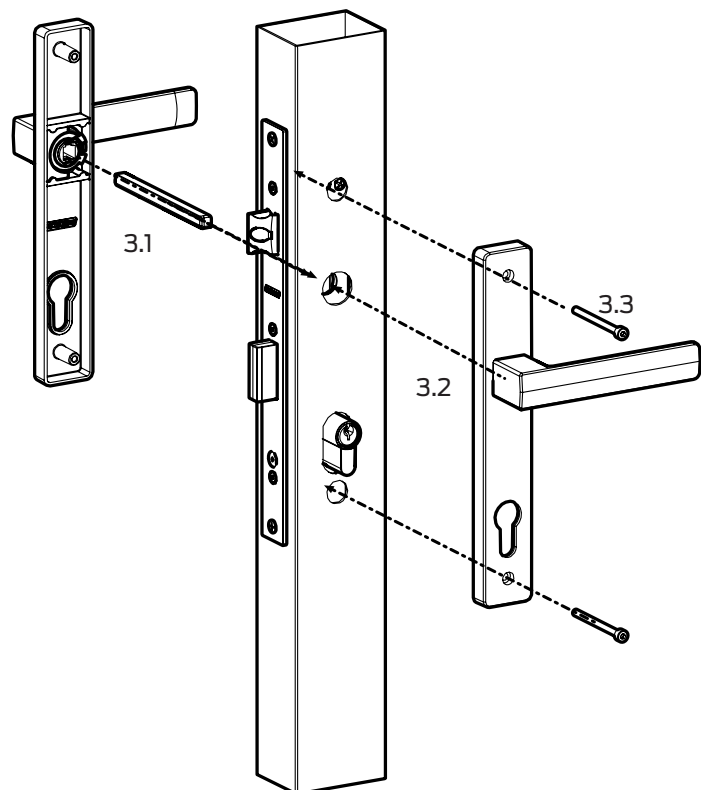
Step 2: Lever Handing - External and Internal

- 2.1 Rotate the lever as required
- 2.2 Insert the Lever Handing Block, opposite to the lever direction



Step 3: Assemble the Door

- 3.1 Assemble the Spindle into the external furniture lever and assemble to the door ensuring the spindle fits through the mortice lock
- 3.2 Assemble the internal furniture onto the door, ensuring the spindle engages the lever, and the snib lever engages the mortice lock
- 3.3 Secure the external and internal furniture using the 2 bolts supplied



Allegion New Zealand

Freephone 0800 477 869
Email nzinfo@allegion.com
www.allegion.co.nz



For more information visit
schlage.co.nz/verta

PDSC0052

© 2024 Allegion

