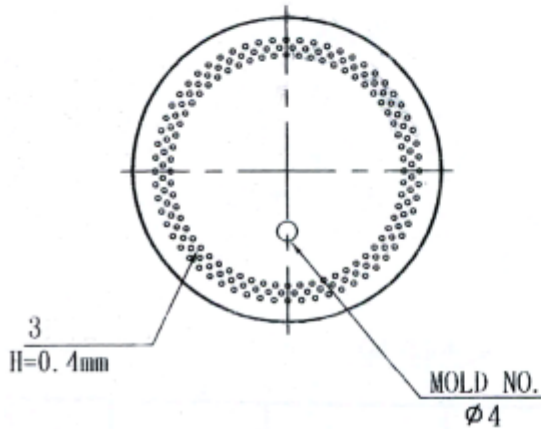
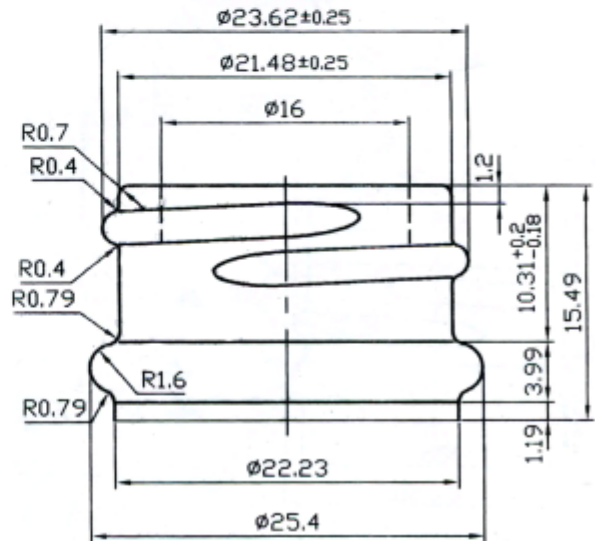


S=3/1  
 PITCH=3.2mm  
 WIDTH=2.2mm  
 TURN=1



| SPECIFICATIONS |              |
|----------------|--------------|
| WEIGHT         | 173±11.5 g   |
| NET CAP        | ml           |
| O. FLOW CAP    | 252.2±4.6 ml |

|                    |          |
|--------------------|----------|
| DISTRIBUTED BY:    | REF NO.: |
| Pipeline Packaging | DWG30637 |

|              |                                 |
|--------------|---------------------------------|
| DESCRIPTION: | 8 oz Glass Boston Round, 24-400 |
|--------------|---------------------------------|

**DISCLAIMER**

THIS INFORMATION IS PROVIDED AS A GENERAL GUIDE, INCLUDING DIMENSIONS. IT IS THE CUSTOMER'S RESPONSIBILITIES TO SELECT THE PROPER CONTAINER FOR PRODUCT AND APPLICATION COMPATIBILITY.