

PROXIMITY Vandal proof reader

System specifications

Cable Length	5m/16ft	
Cable extension length and type	≤ 25m/82ft	Belden 9538/ Belden 5506FE (USA) General Cable equivalent C0744A/ General Cable equivalent E2008S
	≤ 100m/328ft	Belden 9540/ Belden 5306FE (USA) General Cable equivalent C0745A/ General Cable equivalent E2038S
Token compatibility	Paxton, EM HID® Prox (activation required)	
Additional coloured covers available	Yes	
Handsfree compatible	Yes	

Electrical

Operating Voltage	10V - 14V DC
Current consumption	100mA

Environment

Operating Temperature	-35°C - +66°C -31°F - +151°F
Moisture resistance	IPX7
Vandal Resistance	High



The vandal proof proximity readers are RFID devices that offer the convenience of contactless authentication for system users

They are available for use with both Switch2 and Net2 systems

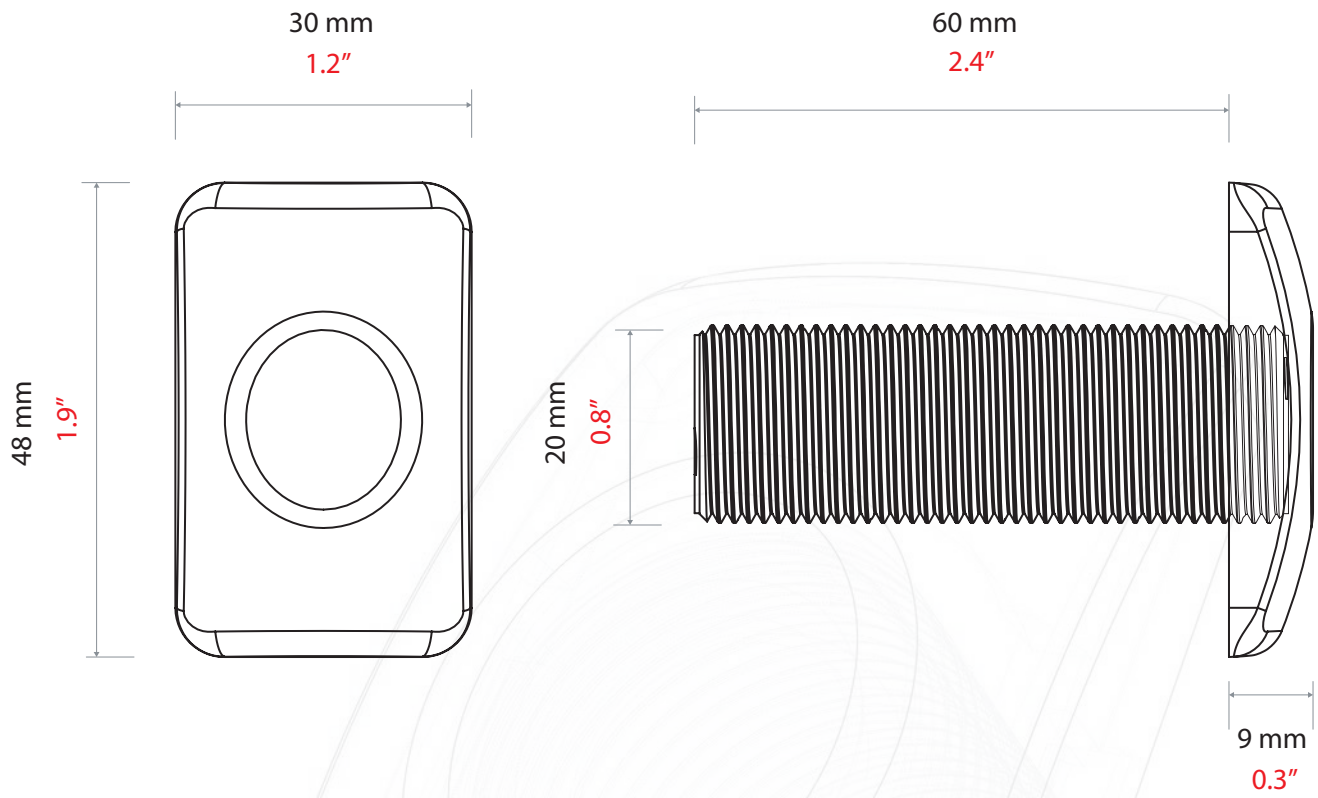
The readers are supplied with a choice of black or white covers/bezels. The reader is wired as shown on the control unit label.

A token is read by holding it within close proximity of the reader.

Note: Be sure to avoid mounting proximity readers on metal surfaces or near other proximity readers as this will affect the read range.

Once a token has been read the control unit looks up the access permissions of that user. The control unit verifies the information and grants or denies access as appropriate.

If access is granted or denied, an audible tone is emitted



Accessories and sales codes

PROXIMITY Vandal proof reader 568-855-US