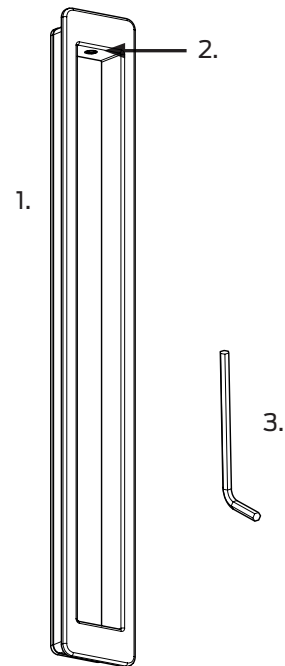




Verta Flush Pull Installation Instructions

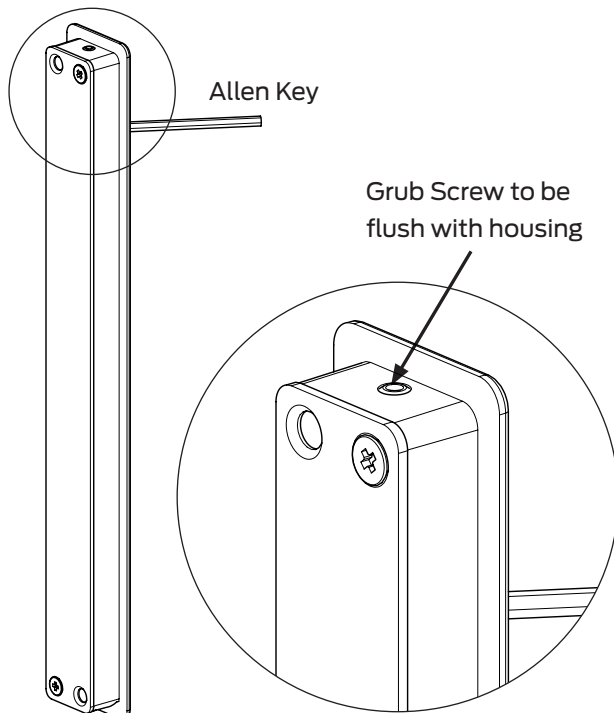
Contents

1. 1 x Flush Pull Handle (preassembled)
2. 1 x Grub screw (preassembled)
3. 1 x Allen Key (in kit)

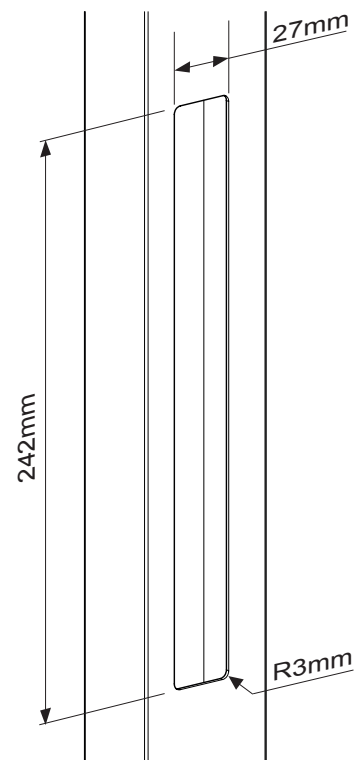


Step 1: Handle Preparation

- 1.1 Adjust Grub Screw with the Allen Key as shown to allow the Handle to be inserted into the cut-out

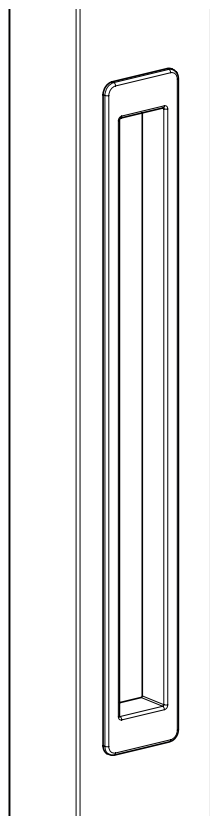
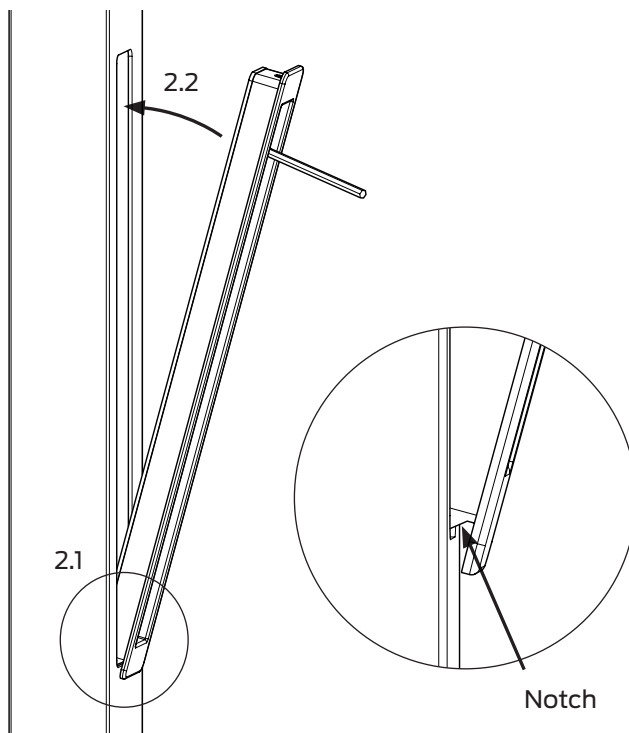


Step 2: Door Preparation



Step 3: Installation

- 2.1 Install the notched end into the cut-out first
- 2.2 Swing the top into the cut-out and tighten the Grub Screw to secure



Allegion New Zealand

Freephone 0800 477 869
Email nzinfo@allegion.com
www.allegion.co.nz



For more information visit
schlage.co.nz/verta

PDSC0051

© 2024 Allegion

