







Assembly Instructions

Dahl Side Table

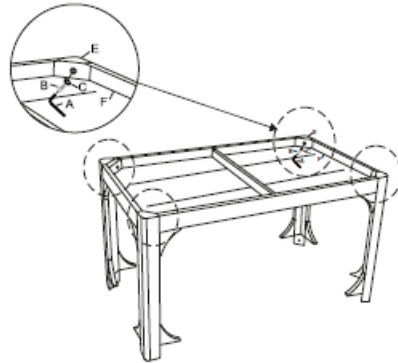
HARDWARE LIST:-

NO.	DESCRIPTION	IMAGE	QTY
A	ALLEN KEY (4mm)		1
B	ALLEN BOLT (6X30mm)		8
C	WASHER		8

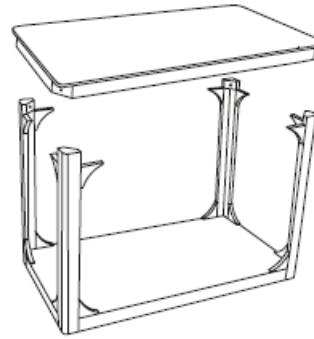
PART LIST:-

NO.	DESCRIPTION	IMAGE	QTY
D	TABLE TOP		1
E	LEGS		4
F	TABLE BOTTOM		1

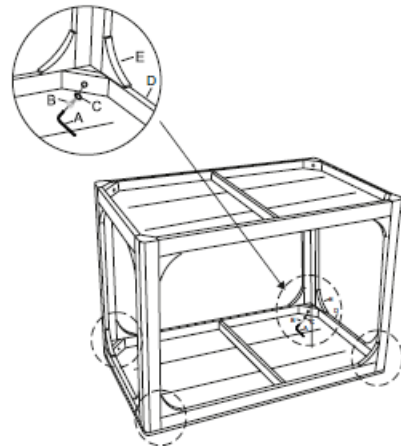
Step :- 1 Do not fully tighten bolts with shelf before fixing the top.



Step :- 2 After fixing the legs flip the shelf to fix the top.



Step :- 3 After fixing the top tighten all bolts.



Step :- 4 Ready For Use

