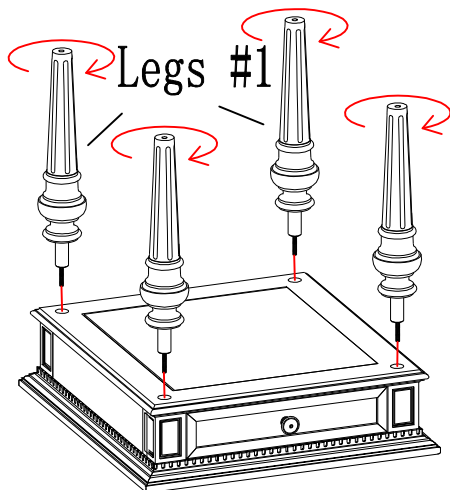


# HEKMAN

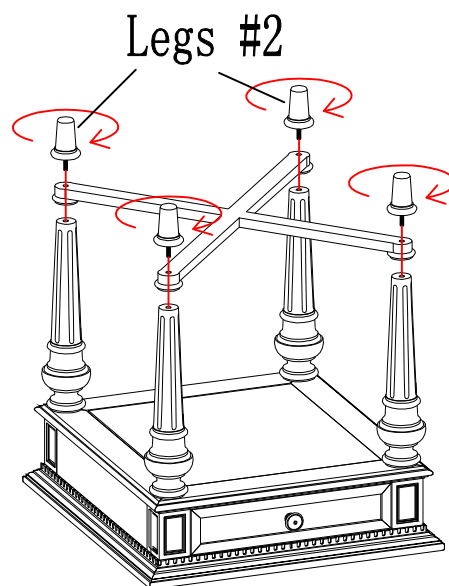
A HOWARD MILLER COMPANY

## ASSEMBLY INSTRUCTIONS

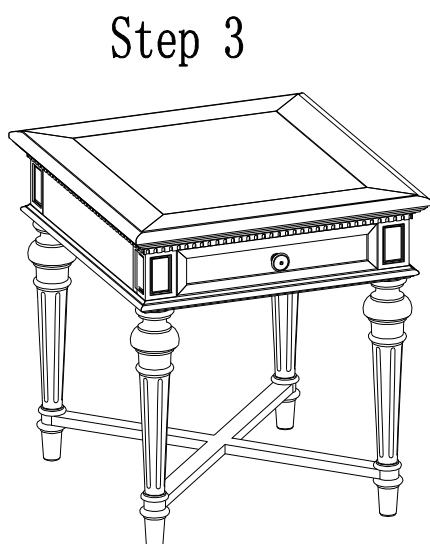
23304- *End Table*



Step 1



Step 2



Step 3

Place the table top upside down on soft and clean surface to prevent scratching

Step 1: Attach the legs (#1) to the table top

Step 2: Assemble the stretcher into 4 legs (#1), assemble legs #2 by turning clockwise

Step 3: Set the table upright.

MADE IN VIETNAM