

## Features

- 17-gauge brass construction
- Brass tailpiece
- Adjustable trip lever
- 1-1/2" (38 mm) connection
- For above- or through-the-floor installations
- For use with K-1166 sok® bath

## Recommended Products/Accessories

K-23726 Drain treatment

## Codes/Standards




ASME A112.18.2/CSA B125.2

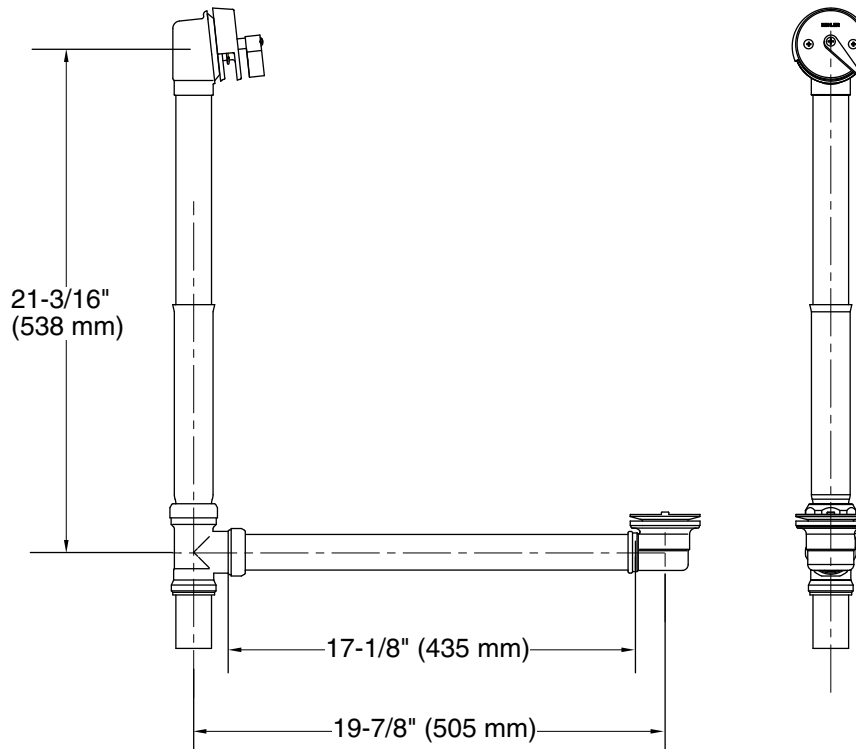
## KOHLER® One-Year Limited Warranty

See website for detailed warranty information.

## Available Colors/Finishes

*Color tiles intended for reference only.*

Color	Code	Description
	CP	Polished Chrome
	SN	Vibrant® Polished Nickel
	BN	Vibrant® Brushed Nickel



## Technical Information

All product dimensions are nominal.

Material: Brass

## Notes

Install this product according to the installation instructions.