

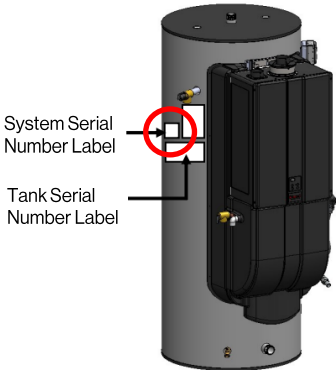

PURPOSE: To announce a recovery pump model change on the Demand Duo H-Series.

PRODUCT INFORMATION

- Applicable Product: H-Series Demand Duo
- Applicable Models: CHS199100Hi, CHS19980Hi, CHS160100Hi, CHS16080Hi, CHS13080Hi

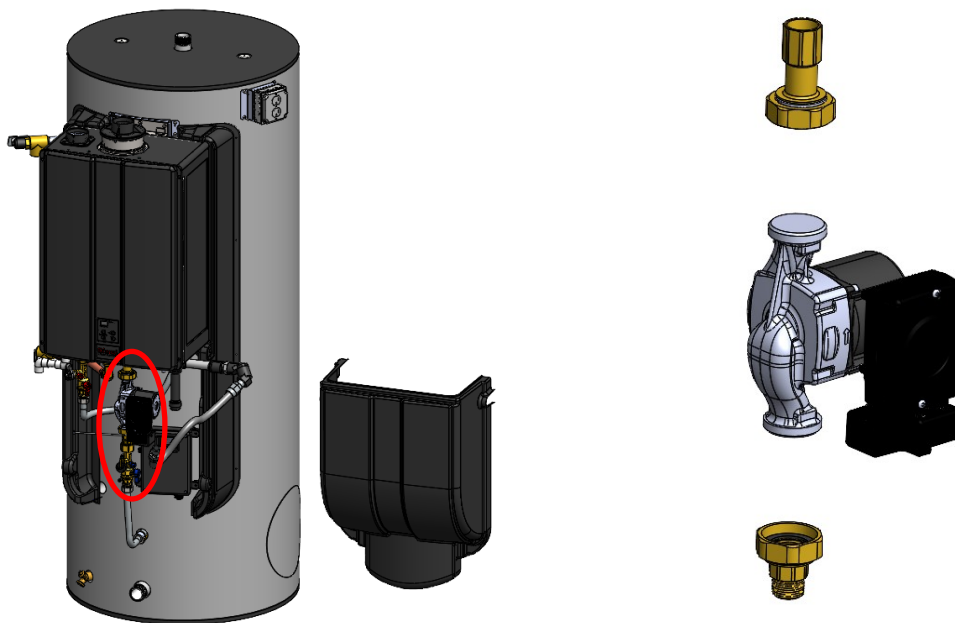
DETAILS:

Due to supply chain related issues, the UPML 25-104 recovery pump is temporarily unavailable. The UPML 25-104 pump will be replaced on the H-Series Demand Duo assemblies with the UPS 15-78 recovery pump. This change will continue until the supply chain issues are resolved, and the UMPL 25-104 pump becomes available.

Starting Serial Number:	OG.UJ-000265
Ending Serial Number:	To be identified once UPML pump is available
Where to Find Your Serial Number:	 

Component Changes:

	Standard Components	New Replacement Components
Pump	107000458 Pump UPML 25-104 XL HTTC SS	107000259 Pump UPS15-78 HTTC
Pump Suction Fitting	104000297	107000509
Pump Discharge Fitting		
Pump Power Cable	105000340	105000335



Rinnai America Corporation • 103 International Drive, Peachtree City, GA 30269
 Toll-Free: 1-800-621-9419 • Phone: 678-829-1700 • www.rinnai.us

©2022 Rinnai America Corporation. Rinnai America Corporation continually updates materials, and as such, content is subject to change without notice. Local, state, provincial, federal and national fuel gas codes must be adhered to prior to and upon installation.