



04584462
Edition 7
January 2022

Air Impact Wrench

2945 and 2950

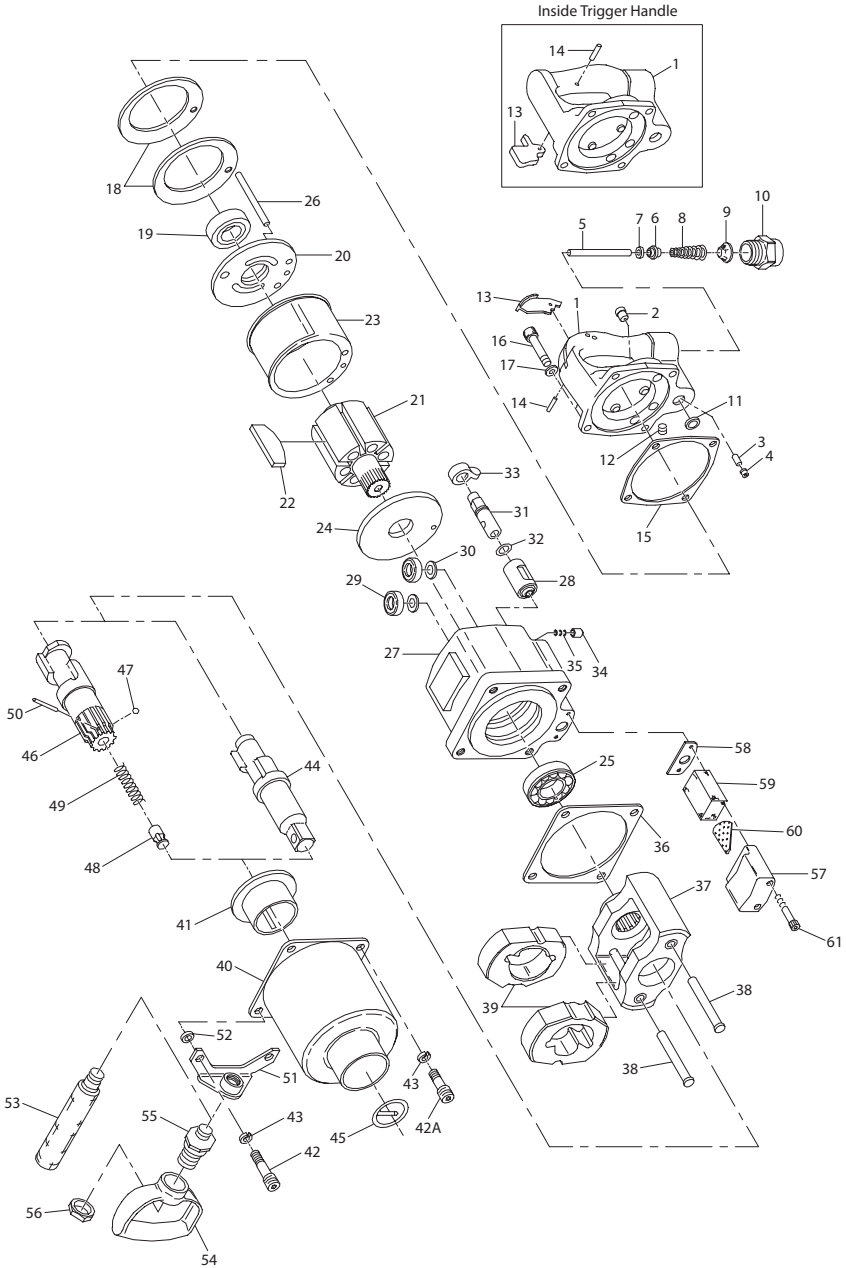
Parts Information



Save These Instructions

 **Ingersoll Rand®**

2945 and 2950, Air Impact Wrench - Exploded View



(Dwg. TPA1335)

2945 and 2950, Air Impact Wrench - Parts List

Item	Part Description	Part Number	(CCN)
1	Throttle Handle Assembly		
	with Outside Trigger	2950-A1	(03473279)
	with Inside Trigger	2950-A92	(03473204)
2	Grease Fitting	1305R-188	(03039930)
† 3	Oiler Felt	R2-75	(03136272)
4	Oiler Adjusting Screw	R2-71	(03136264)
5	Throttle Valve Plunger	2950-302	(03472941)
6	Throttle Valve Assembly	2934-A50	(03441557)
† • 7	Throttle Valve Face	2934-159	(03480225)
8	Throttle Valve Spring	834-51	(03065687)
† • 9	Air Strainer Screen	434-61	(03063013)
10	Straight Inlet	845-565	(03286283)
† • 11	Reverse Valve Seal	R00BR-210	(03100682)
# 12	Oil Chamber Plug (2)	ROH-377	(03117793)
13	Trigger		
	Outside-type	844-78	(03067352)
	Inside-type	834-93A	(03679966)
14	Trigger Pin		
	for Outside Trigger	F02-15	(03025558)
	for Inside Trigger	534-265	(03055183)
† • 15	Handle Gasket	850-283	(03414513)
16	Handle Cap Screw (5/16"-18 thread x 1-1/4" long Socket Head) (4)	834-638	(03066354)
17	Handle Cap Screw Washer (4)	588-140	(03059045)
18	Motor Clamp Washer (2)	MR-207	(03193489)
† 19	Rear Rotor Bearing	834-24	(03065588)
20	Rear End Plate	2950-12	(03473188)
21	Rotor		
	for 2945	2945-53	(03472727)
	for 2950	2950-53	(03473196)
† • 22	Vane Packet (set of 6 Vanes)		
	for 2945	2945-42-6	(03676616)
	for 2950	TK-2955-042-6	(TK-2955-042-6)
23	Cylinder		
	for 2945	2945-3	(03472784)
	for 2950	2950-3	(03473295)
24	Front End Plate	2950-11	(03473170)
† 25	Front Rotor Bearing	TA-22A	(04025581)
26	Cylinder Dowel		
	for 2945	844-98	(03067402)
	for 2950	2950-98	(03472925)
27	Motor Housing Assembly		
	for 2945	2945-A40	(03472628)
	for 2950	2950-A40	(03472891)
28	Reverse Valve Bushing	2934-330S	(03442142)
† • 29	Air Port Gasket (2)	R44H-210A	(03157229)
† 30	Gasket Retainer (2)	2940-200	(03474582)
31	Reverse Valve Assembly	2934-A329	(03441946)
† 32	Reverse Valve Bushing Seal	85H-167	(03035847)
33	Reverse Lever	2934-658A	(03680725)
† 34	Reverse Lock Plunger	4U-663B	(03071800)
† 35	Plunger Spring	4U-664	(03071818)
† 36	Hammer Case Gasket	845-36	(03401098)

Item	Part Description	Part Number	(CCN)
37	Hammer Frame Assembly		
	for 2945	2945-A703	(03472651)
	for 2950	2950-A703	(03472974)
38	Hammer Pin (2)		
	for 2945	2945-704	(03472669)
	for 2950	2950-704	(03472982)
39	Hammer (2)		
	for 2945	2945-724	(03472743)
	for 2950	TP-2955-724	(TP-2955-724)
40	Hammer Case Assembly		
	for 2945A7, 2945B7 and 2945B1	2945-A627	(03472735)
	for 2945A7-EU and 2945B7-EU	2945-EU-A627	(04348587)
	for 2950A7 and 2950B7	2950-A727	(03473253)
	for 2950A7-EU and 2950B7-EU	2950-EU-A727	(04348579)
++ 41	Hammer Case Bushing	2950-541	(03473147)
*	Hammer Case Label		
	for models ending in -EU	EU-99	(04346607)
	for all other models	WARNING-2-99	(04203139)
42	Hammer Case Cap Screw (3/8"-16 thread x 1-3/4") Socket Head (Long) (2)	2945-638	(03733649)
42A	Hammer Case Cap Screw (3/8"-16 x 1-1/2") Socket Head (Short) (2)	844-638	(03067659)
43	Lock Washer (4)	845-58	(03387867)
44	1-1/2" Square Drive Anvil		
	for 2945	2945-726	(03472719)
	for 2950	2950-726	(03473162)
45	Socket Retaining Ring (for use with 1-1/2" Square Drive Anvil)	RR10020S	(03809316)
46	Spline Drive Anvil Assembly (No. 5 Spline)		
	for 2945B1	2945-A526A	(03875093)
	for 2950B1	VW-1030	(04194817)
47	Socket Retaining Ball	D04-280	(03171006)
48	Retaining Ball Plunger	845-230	(03391018)
49	Plunger Spring	2940-231	(03474103)
50	Plunger Retaining Pin	845-128	(03391026)
51	Dead Handle Bracket	845-364	(03387479)
52	Dead Handle Bracket Spacer	845-140	(03387461)
53	Dead Handle	834-48	(03065661)
54	Side Spade Handle	T15-41	(03142080)
55	Spade Handle Stud	534-448	(03055407)
56	Stud Nut	107-73A	(03199346)
	Exhaust Deflector Kit	2934-K23	(03675840)
57	Exhaust Deflector	2934-23A	(03874294)
† 58	Gasket	2934-223	(03675832)
† 59	Silencer	2940P-311	(03657855)
60	Exhaust Baffle	2934-124	(03675816)
61	Exhaust Deflector Screw (2)	R43F-104	(03373255)
*	Nameplate		
	for 2945A7, 2945B7 and 2945B1 for 2945A7-EU and 2945B7-EU	2945-301	(03674645)
	for 2950A7 and 2950B7 for 2950-EU and 2950B7-EU	2950-301	(03674678)
*	Nameplate Screw (4)	C32-302	(03081742)

Item	Part Description	Part Number	(CCN)
*	Wooden Box	2945-96	(03751971)
*	Grease Gun	R000A2-228	(03095015)
*	Tune-up Kit		
	for 2945 (includes illustrated parts 3, 7, 9, 11, 15, 19, 22, 25, 29 [2], 30,[2], 32, 34, 35, 36, 58 and 59)	2945-TK2	(03803137)
	for 2950 (includes illustrated parts 3, 7, 9, 11, 15, 19, 22, 25, 29 [2], 30 [2], 32, 34, 35 and 36)	2950-TK2	(03803145)

* Indicates not illustrated.

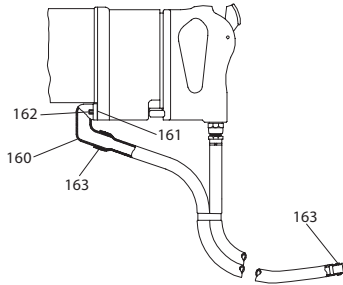
† Indicates a Tune-up Kit part.

• Indicates common-wear parts. Maintain stock to reduce downtime.

++ The Hammer Case Bushing is a press fit in the Hammer Case. A .005" oversize Bushing is available and should be used if the nose of the Case has stretched to the extent that a new standard size Bushing fits loosely. The Part No. for a .005" oversize Bushing is 2950-541-5.

Some tools have a single oil chamber plug. For these tools, order one Oil Chamber Plug, Part Number R2-227.

Piped-away Exhaust Kit



Item	Part Description	Part Number	CCN
	Piped Away Exhaust Kit		
	without Muffler	2940-K184	03473881
160	Exhaust Adapter	2940-167	03473915
161	Exhaust Adapter Gasket	2940-30	03473873
162	Adapter Cap Screw (No. 10-24 thread x 5/8" Socket Head (2))	AL-638	03026093
163	Hose Clamp	R21-31	03467750

(Dwg. TPA559)

Parts and Maintenance

When tool life has expired, it is recommended that the tool be disassembled, degreased and parts separated by material for proper recycling.

Tool repair and maintenance should only be carried out by an authorized Service Center.

Refer all communications to the nearest **Ingersoll Rand** office or distributor.

Related Documentation

Manuals can be downloaded from ingersollrand.com

For additional information, refer to:

Product Safety Information Manual 04580916

Product Maintenance Information Manual 04584306

Product Information Manual 04584835

Notes:

Notes:

[ingersollrand.com](https://www.ingersollrand.com)

© 2022 *Ingersoll Rand*

