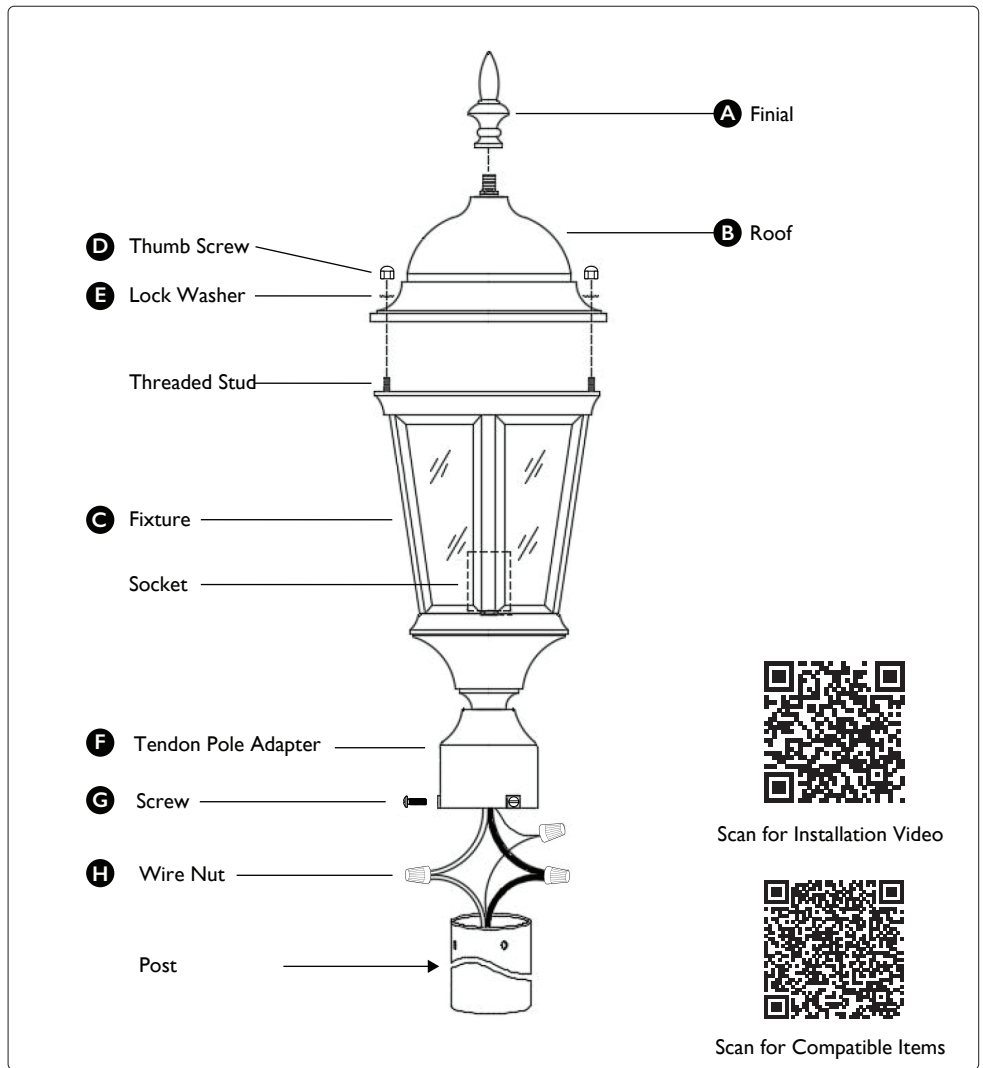
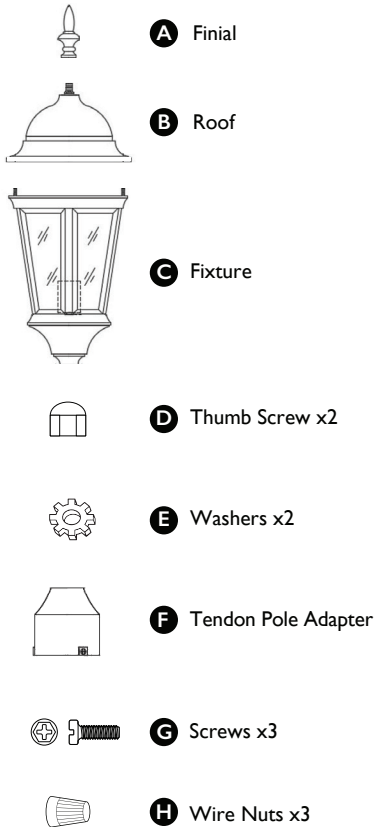


Required Tools

- Phillips Screwdriver

What's in the box



Caution

This product contains chemicals known to the State of California to cause cancer, birth defects and/or other reproductive harm. Thoroughly wash hands after installing, handling, cleaning, or otherwise touching this product.

If in doubt about electrical installation, consult a licensed electrician

All electrical connections must be made in accordance with local and National Electrical Code (NEC) standards.

If you are unfamiliar with proper electrical wiring connections, obtain the services of a qualified electrician.

Remove the fixture and the mounting package from the box and make sure that no parts are missing by referencing the illustrations on the installation instructions. Tools are required when installing this fixture.

Steps to Install

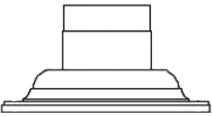
1. Before installation, turn off the power at fuse or circuit breaker.
2. Carefully unpack and identify all parts.
3. Slip **fixture (C)** over post (*not included*) and mark position of mounting holes in post.
4. Remove **fixture (C)** from post.
5. Drill 3/16 inch diameter holes in post at positions marked.
6. Make wire connections with wire connectors:
 - A. Connect black wire from fixture to black supply wire(s).
 - B. Connect white wire from fixture to white supply wire(s).
 - C. If **fixture (C)** is provided with ground wire, connect fixture ground wire to outlet box ground wire with **wire nut (H)**. Never connect ground wire to black or white power supply wires.
 - D. Wrap all connections with approved electrical tape.
7. Slip **fixture (C)** over post and secure in place using provided **screws (G)**. **Screws (G)** should slip into holes drilled in post.
8. Install light bulb (*not included*). Refer to fixture labels for maximum wattage.
9. Place **roof (B)** on top of **fixture (C)**. Pass holes of **roof (B)** over threaded studs on **fixture (C)**.
10. Thread **thumb screws (D)** and **lock washers (E)** on to threaded studs. Do not over tighten.
11. Thread **finial (A)** on to threaded pipe on top of the roof. Do not over tighten.
12. After installation, turn on the power at fuse or circuit breaker.

Your new Design House pier base mount will give you years of trouble-free performance. Thank you for choosing our product for your home. **Please read carefully and save these instructions, as you may need them at a later date.**


Required Tools

- Caulk
- Phillips Screwdriver


What's in the box



A



B 1-1/2 in Self-Tapping Screws x4



C Anchors x4

Caution

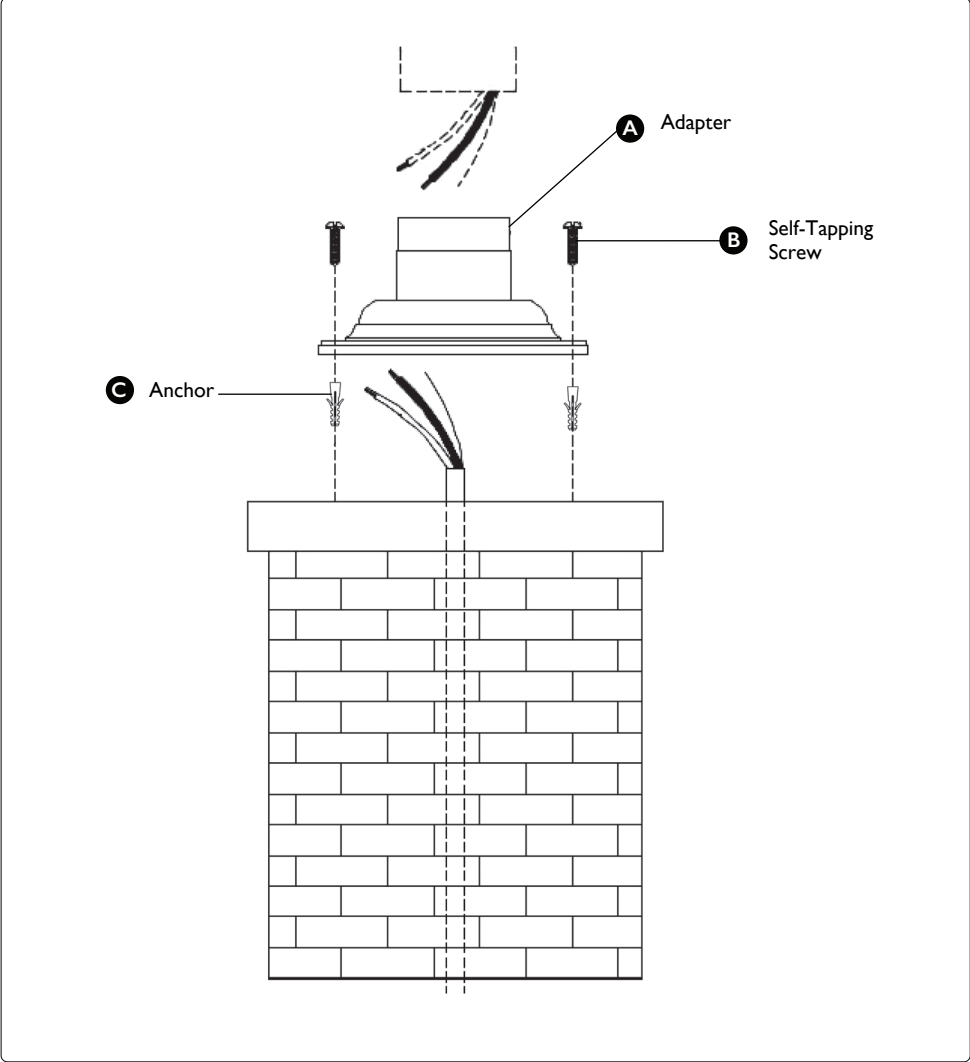
This product contains chemicals known to the State of California to cause cancer, birth defects and/or other reproductive harm. Thoroughly wash hands after installing, handling, cleaning, or otherwise touching this product.

If in doubt about electrical installation, consult a licensed electrician

All electrical connections must be made in accordance with local and National Electrical Code (NEC) standards.

If you are unfamiliar with proper electrical wiring connections, obtain the services of a qualified electrician.

Remove the fixture and the mounting package from the box and make sure that no parts are missing by referencing the illustrations on the installation instructions. Tools are required when installing this fixture.



Steps to Install

1. Before installation, turn off the power at fuse or circuit breaker.
2. Carefully unpack and identify all parts.
3. Using the **adapter (A)** as a guide, lay out location of the 9/32 inch diameter anchor holes and position of conduit power feed (*not included*).
4. Install conduit power feed through pedestal (*not included*) so it protrudes at least one inch above top surface of pedestal.
5. Set **anchors (C)** into anchor holes.
6. Set **adapter (A)** onto pedestal with holes aligned with **anchors (C)**. Secure **adapter (A)** to pedestal with **screws (B)** provided. Caulk around base of **adapter (A)** to prevent water from entering.
7. Install fixture according to instructions furnished with fixture threading power wires through conduit power feed.
8. Connect supply cable to power source according to NEC and UL requirements.
9. After installation, turn on the power at fuse or circuit breaker.