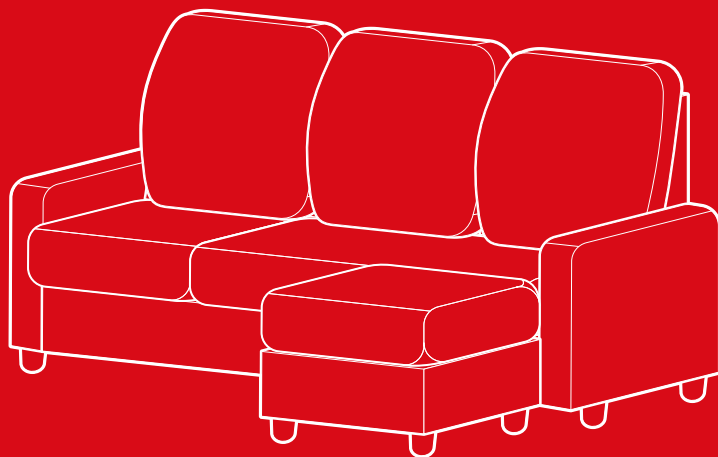




bestchoiceproducts



INSTRUCTION MANUAL

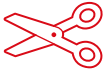
L-Shape Linen
Sectional Sofa

! NOTICE

Please retain these instructions for future reference.

- Please do not exceed the weight limitations of this item.
- Do not stand on or use any part of this item as a step ladder.
- Do not use or store this item in the proximity of open flame or flammable/combustible chemicals.
- If any parts are missing, broken, damaged, or worn, stop using this item until repairs are made and/or factory replacement parts are installed.
- Do not use this item in a way inconsistent with the manufacturer's instructions as this could void the product warranty.
- This product uses wooden packing materials for added protection, these materials are not for use during assembly.

TOOLS REQUIRED



SCISSORS



680 LBS
CAPACITY



1 PERSON
ASSEMBLY



UP TO 15 MIN.
ASSEMBLY

HARDWARE

1

PLASTIC
WASHER



10 PCS

2

KNOB



2 PCS

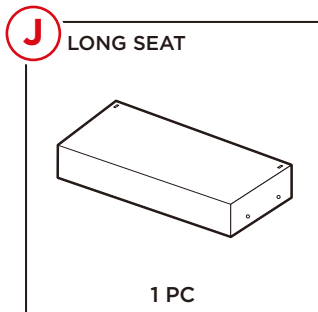
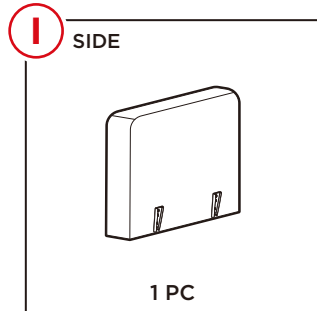
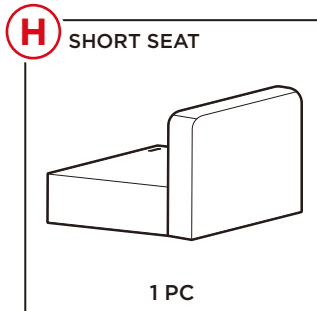
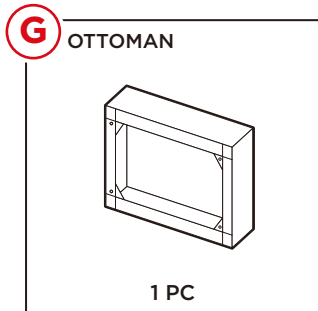
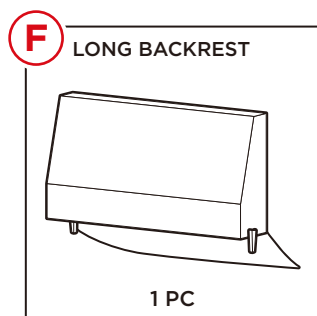
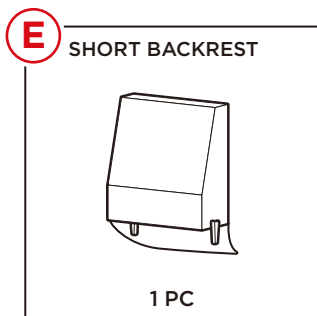
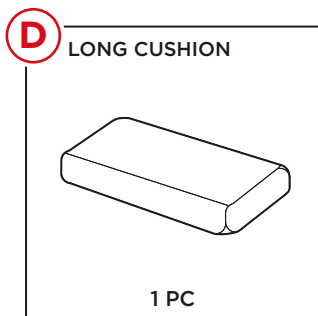
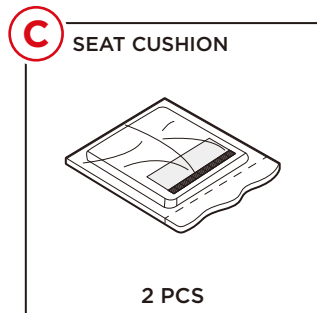
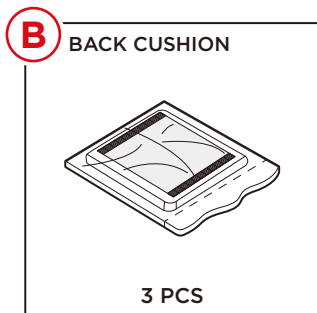
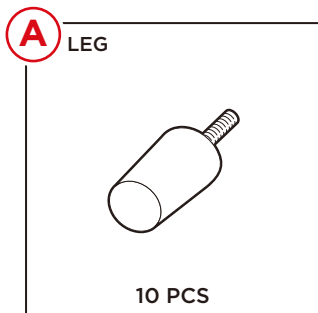
3

KNOB NUT



2 PCS

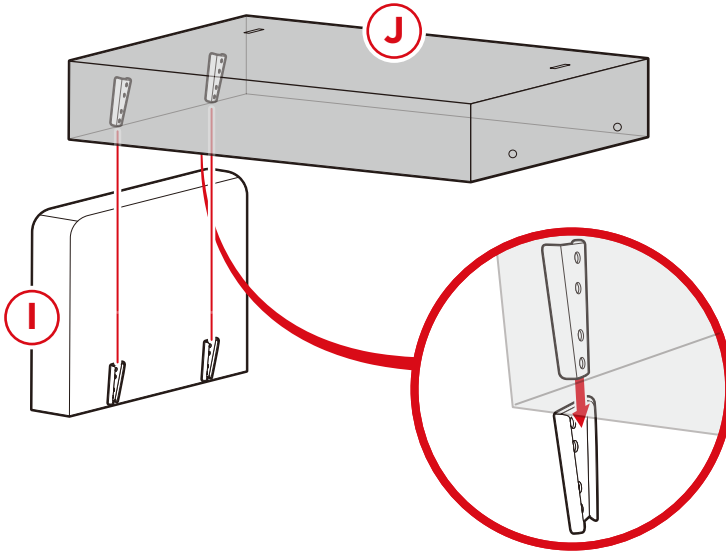
PARTS



PRODUCT ASSEMBLY

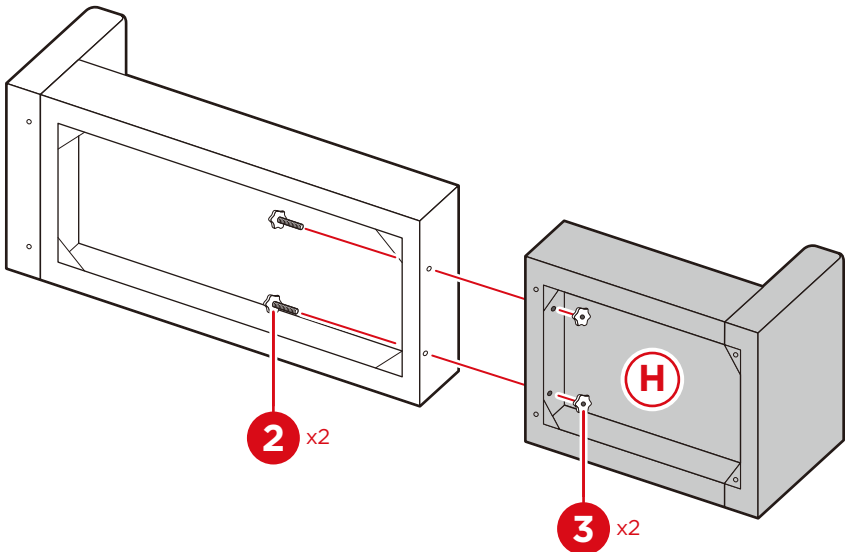
1

Slide part J long seat into the brackets on the part I side.



2

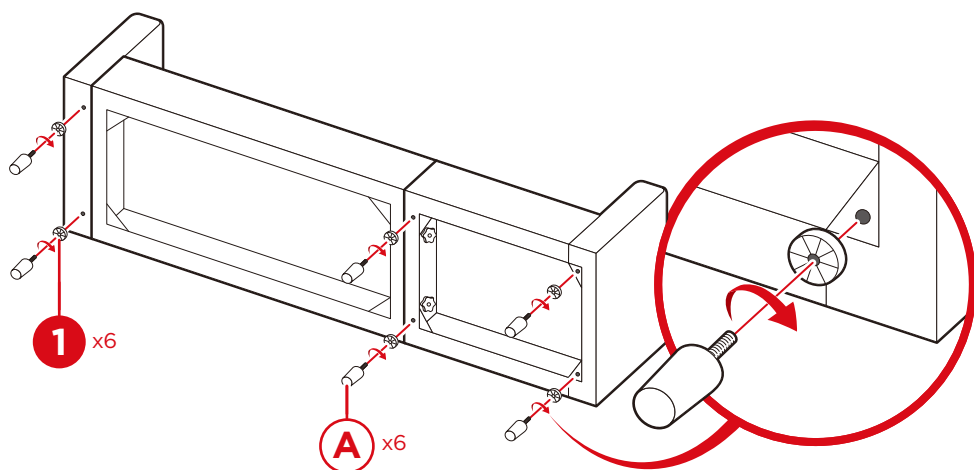
Underneath the sofa, attach the long seat to part H short seat with two part 2 knobs and two part 3 knob nuts.



PRODUCT ASSEMBLY

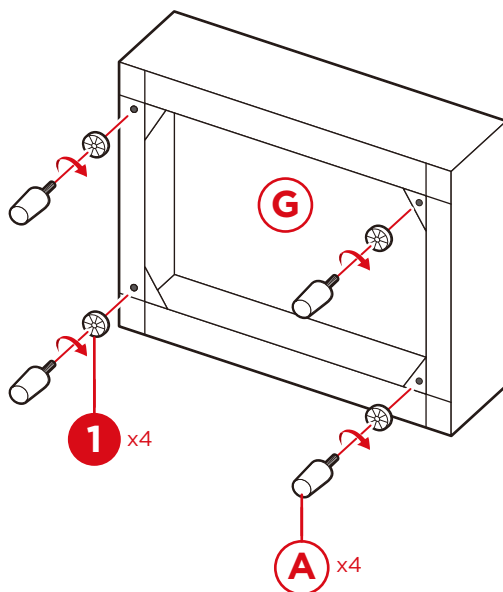
3

Screw six part A legs and six part 1 plastic washers into the sofa.



4

Screw four part A legs and four part 1 plastic washers into the part G ottoman.

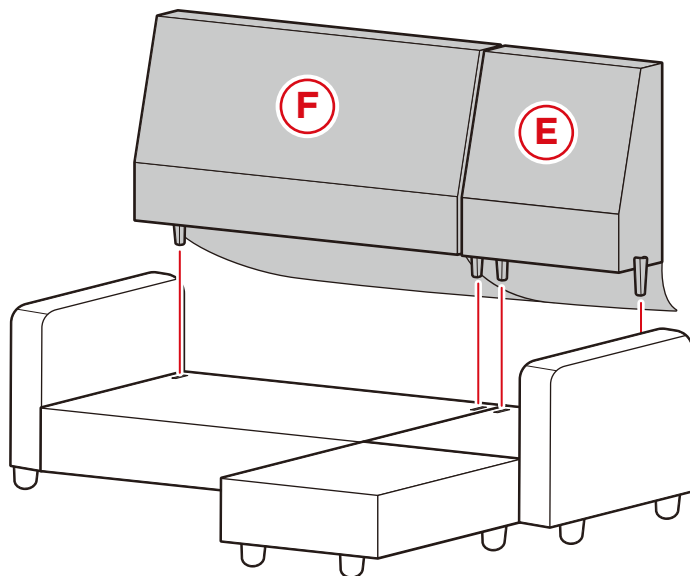


PRODUCT ASSEMBLY

5

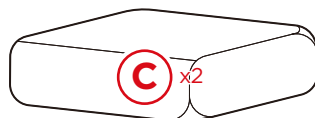
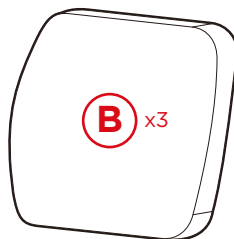
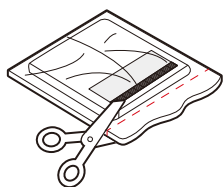
Flip the sofa onto its legs.

Insert part E short backrest and part F long backrest into the designated slots.



6

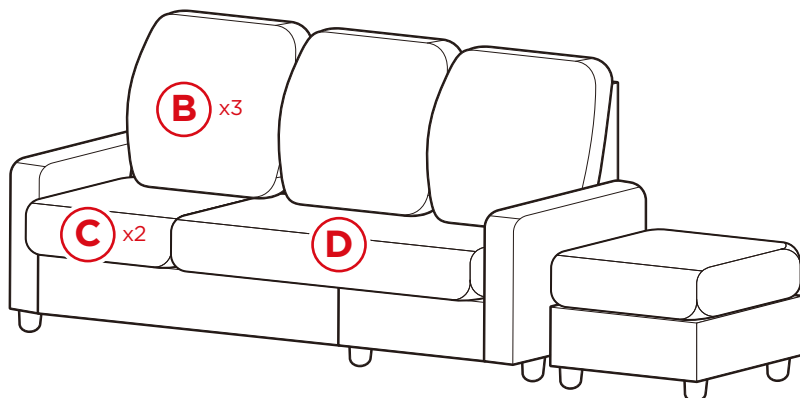
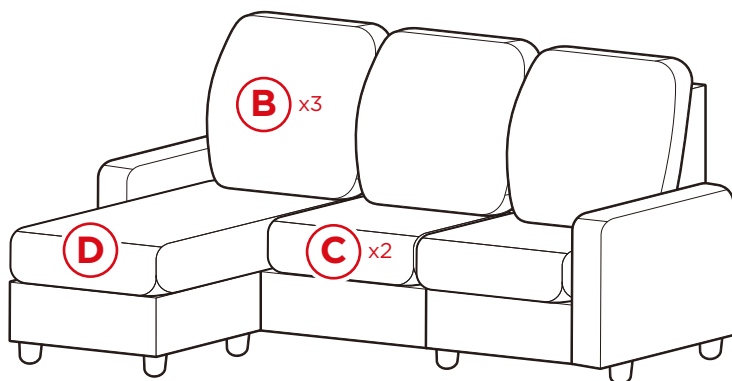
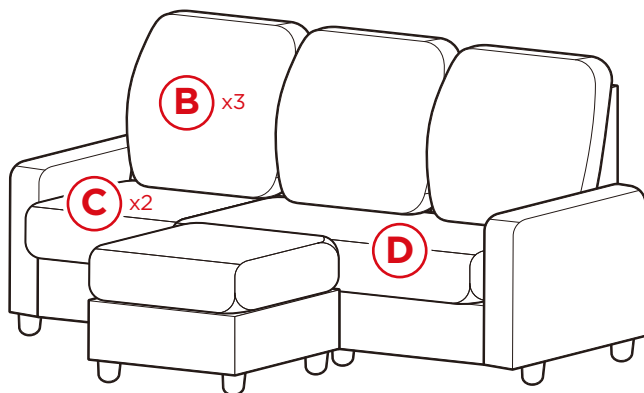
Use scissors to open three part B back cushions and two part C seat cushions.



PRODUCT ASSEMBLY

7

Place three back cushions, two seat cushions, and part D long cushion on the sofa/ottoman.
Below are several arrangement options:





HELP CENTER



Question about your product? We're here to help. Visit us at:

help.bestchoiceproducts.com



Chat Support



Product Inquiry



Orders FAQ



Product Assembly



Returns & Refunds

PRODUCT WARRANTY INFORMATION

All items can be returned for any reason within 60 days of the receipt and will receive a full refund as long as the item is returned in its original product packaging and all accessories from its original shipment are included. All returned items will receive a full refund back to the original payment method. All returned items will not be charged a re-stocking fee.

All returned items require an RA (Return Authorization) number, which can only be provided by a Best Choice Products Customer Service Representative when the return request is submitted. Items received without an RA may not be accepted or may increase your return processing time. Once an item has been received by Best Choice Products, refunds or replacements will be processed within 5 business days.

All returns must be shipped back to the Best Choice Products Return Center at the customer's expense. If the reason for return is a result of an error by Best Choice Products then Best Choice Products will provide a pre-paid shipping label via email. Boxes for return shipping will not be provided by Best Choice Products, and is the customer's responsibility to either use the original shipping boxes or purchase new boxes.

Pictures may be required for some returns to ensure an item is not damaged prior to its return. Items returned are not considered undamaged until they are received by Best Choice Products and verified as such. All damages to items are the customer's responsibility until the item has been received by and acknowledge by Best Choice Products as undamaged.



WARNING

Manufacturer and seller expressly disclaim any and all liability for personal injury, property damage or loss, whether direct, indirect, or incidental, resulting from the incorrect attachment, improper use, inadequate maintenance, unapproved modification, or neglect of this product.