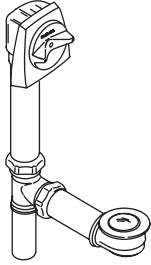


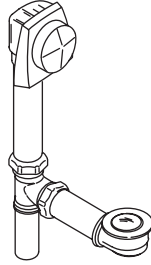
Installation Guide

Bath Drains

P-21570, P-21571, P21575



P21573, P21578

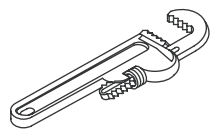


M product numbers are for Mexico (i.e. K-12345**M**)
Los números de productos seguidos de
M corresponden a México (Ej.
K-12345**M**)
Français, page "Français-1"
Español, página "Español-1"

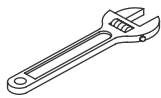
1040186-2-A

KALLISTA®

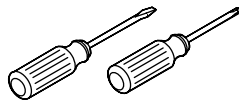
Tools and Materials



Pipe
Wrench



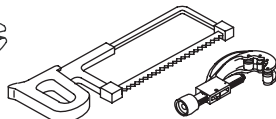
Adjustable
Wrench



Assorted
Screwdrivers



Pliers



Hacksaw or
Tubing Cutter



Plumbers
Putty



Thread
Sealant
Tape

Plus:
• Trap

Thank You For Choosing Kallista

We appreciate your commitment to Kallista quality. Please take a few minutes to review this manual before you start installation. If you encounter any installation or performance problems, please don't hesitate to contact us. Our phone numbers and website are listed on the back cover. Thanks again for choosing Kallista.

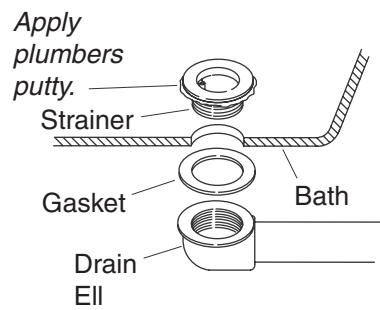
Before You Begin

- Observe all local plumbing and building codes.
- Turn off the main water supplies.
- Carefully inspect all drain components for damage before installing.
- If installing a new bath, install the drain before installing the bath.
- For replacement drain installations, remove the wall covering from the drain end of the bath and remove the existing drain.
- Cover the bath with a drop cloth or similar material during installation.
- Use care to protect the product finish during installation.
- The overflow ell and drain ell tubes may need to be cut for proper fit. Measure carefully, cut them to the proper length and remove any rough edges.

Before You Begin (cont.)

- Refer to the roughing-in dimensions of your bath to properly install this product.
- Kallista reserves the right to make revisions in the design of drains without notice, as specified in the Price Book.

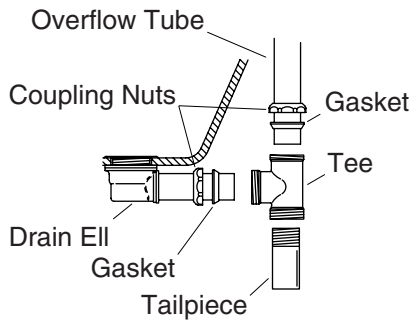
IMPORTANT! Do not wrench tighten the connections and fittings until instructed to do so. Initially hand tighten the connections.



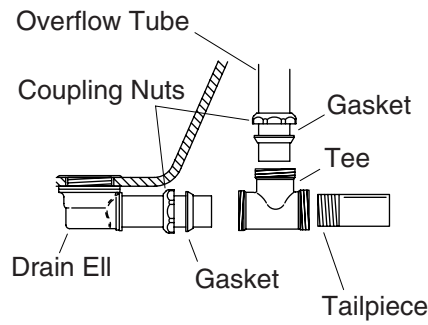
1. Install the Drain Ell

NOTE: The strainer, gasket and drain ell ship assembled. Disassemble these items prior to continuing with this install procedure.

- Remove the stopper, strainer, and gasket from the drain ell.
- Apply a generous bead of plumbers putty or other sealant to the underside of the strainer.
- Align the drain ell to point toward the front of the bath.
- Align the drain ell and gasket underneath the bath drain hole.
- Carefully thread the strainer into the drain ell until snug. Do not fully tighten at this time.
- Remove any excess plumbers putty from around the strainer.



Through-the-Floor Installations

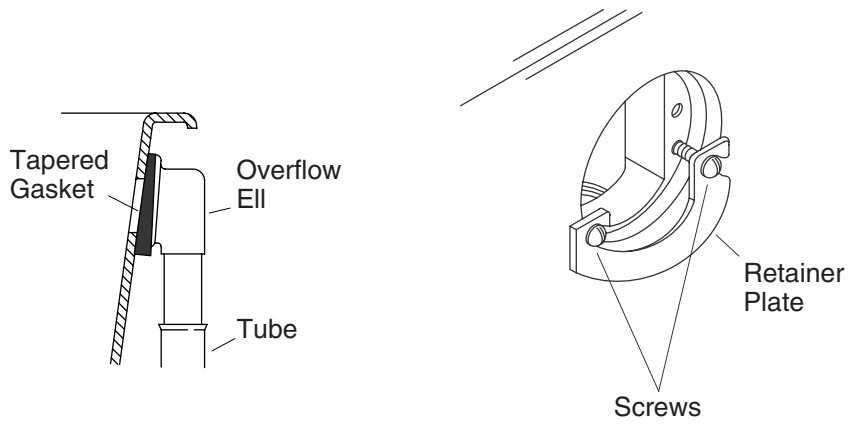


Above-the-Floor Installations

2. Install the Drain Tubing

NOTE: The same steps apply to both above-the-floor and through-the-floor installations, but the tee is aligned differently. Align as shown in the illustration.

- Slide a coupling nut, then a gasket onto the overflow tube.
- Slide a coupling nut, then a gasket onto the drain ell.
- Align the overflow tube and drain ell with the tee. Align the tee following the illustration for your style of installation.
- Insert the tubes completely into the tee. If necessary, cut the overflow tube to the correct length.
- Align the tubes and tighten the nuts.
- Apply thread sealant to the threads on the tailpiece.
- Insert the tailpiece into the trap inlet, with 1" (2.5 cm) to 2" (5.1 cm) inside the trap. The tailpiece may need to be cut for proper fit.
- Attach the tailpiece to the tee and tighten with a pipe wrench.



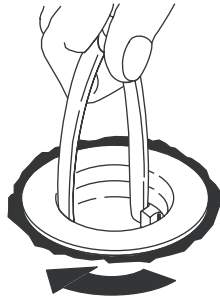
3. Install the Overflow Ell

Models P21570, P21573, P21575 and P21578 only

- Attach the tapered gasket to the overflow ell.
- The tapered side should be facing out, and the thin edge should be on top when the gasket is properly positioned.
- Align the overflow ell with the overflow hole in the bath.

Model P21571 only

- Attach the tapered gasket to the overflow ell.
- The tapered side should be facing out, and the thin edge should be on top when the gasket is properly positioned.
- Align the overflow ell with the overflow hole in the bath.
- From inside the bath, thread two slotted head screws through the retainer plate and then into the two lower holes in the overflow ell.
- Tighten the screws.

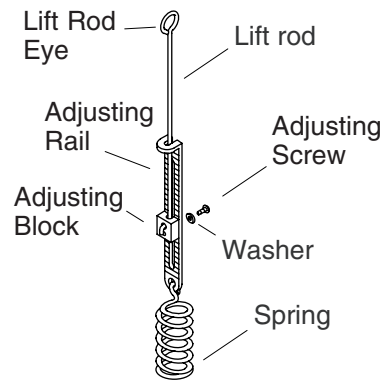
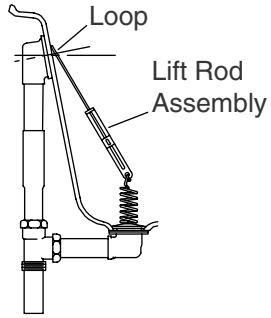


4. Tighten the Drain Ell



CAUTION: Risk of property damage. Do not reposition the drain ell after the strainer is tightened. Moving the drain ell may damage the seal created when the strainer was tightened, increasing the risk of leaking.

- Tighten the drain ell securely by inserting plier handles into the top of the strainer.
- Turn the strainer into the drain ell.
- Remove any excess plumbers putty.

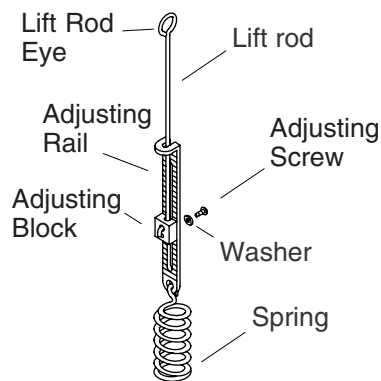
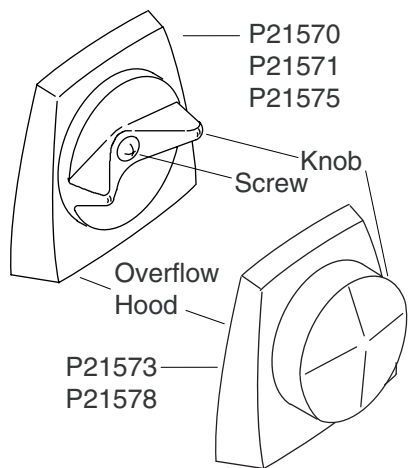


Assemble lift rod components.

5. Install the Lift Rod

NOTE: If more than one lift rod is supplied, choose the one that most comfortably extends to the diagonal length between the closed drain stopper to the overflow ell.

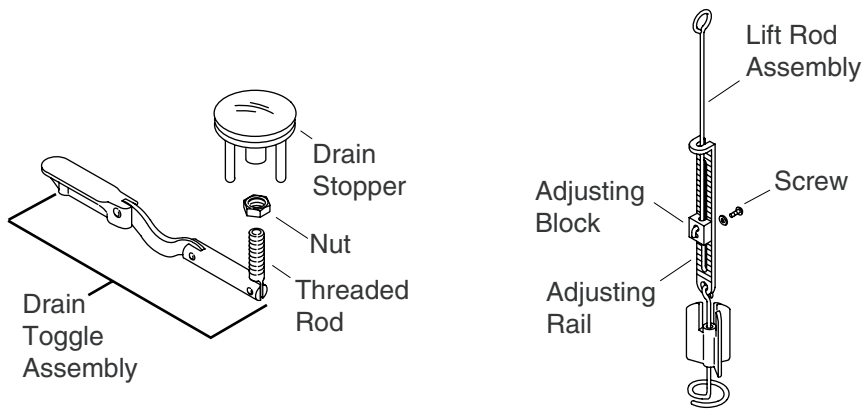
- Assemble the lift rod components.
- Place the spring of the lift rod assembly on the top of the closed drain stopper and align the eye of the lift rod with the center of the overflow ell opening.
- Adjust the lift rod assembly to the proper length. Slide the adjusting block up the adjusting rail to increase clearance, or down the rail to decrease the clearance.
- Center the eye of the lift rod with the center of the overflow ell opening for final alignment.



Assemble lift rod components.

6. Install the Overflow Hood

- Remove the knob from the overflow hood assembly by loosening the set screw found in the center of the knob. (Models P21570, P21571 and P21575 only)
- Remove the knob from the overflow hood assembly by loosening the set screw found on the underside of the knob. (Models P21573 and P21578 only)
- Snap the lift rod eye onto the plastic post on the back side of the overflow hood assembly.
- If necessary, close the lift rod eye with a pliers to prevent it slipping off the post. The eye must rotate freely on the spindle of the overflow hood.
- Insert the lift rod assembly, with attached hood, into the overflow ell.
- From inside the bath, thread two screws through the overflow hood and then into the overflow ell.
- Secure the knob to the overflow hood assembly.



7. Install the Drain Toggle Assembly

- Turn the knob counterclockwise until it stops.
- Insert the drain toggle assembly into the drain ell
- The drain stopper should rise approximately 3/8" (1 cm) above the strainer. Adjust if needed.
- If adjustment is required, remove the drain toggle assembly from the drain ell.
- Raise the drain stopper by turning it counter clockwise, or lower by turning it clockwise.
- Tighten the nut until it contacts the underside of the drain stopper.

NOTE: If sufficient clearance cannot be obtained by adjusting the drain stopper, remove the drain toggle assembly and then the lift rod assembly.

- Loosen the screw and slide the adjusting block up or down as needed.
- Tighten the screw and insert the lift rod assembly into the overflow ell.
- Insert the drain toggle assembly into the drain ell.
- Recheck clearance.

8. Complete the Installation

- Make sure all connections are tight.
- Open the drain.
- Turn on the main water supply and check for leaks.
- Make all needed final connections.
- Close the drain.
- Fill the bath with water and check for leaks. Make sure the overflow connections do not leak.
- Turn the knob to the open and close positions to check for proper operation of the drain stopper.