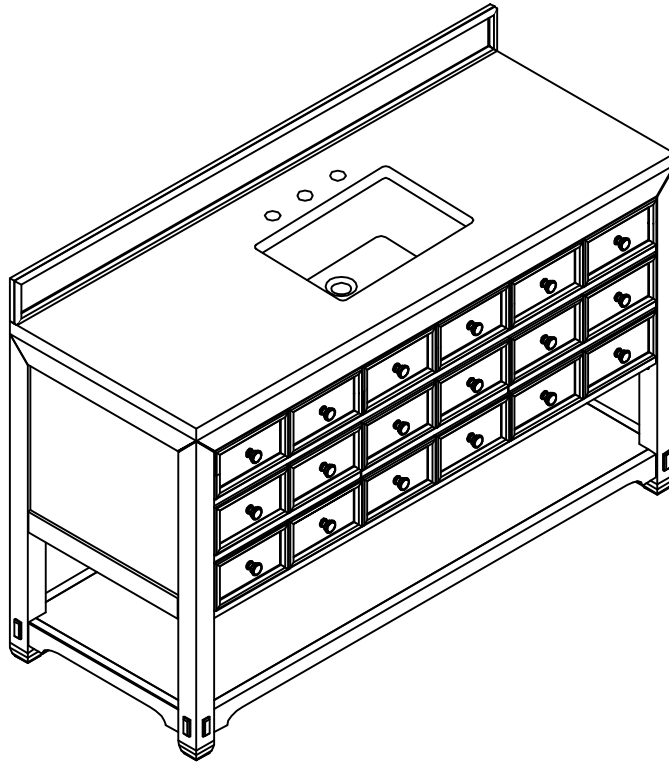


JAMES MARTIN

VANITIES

Malibu 60" Vanity
505-V60S-AMB



Top sold separately

Features and Materials

Solids: Poplar
Veneers: Birch
Panels: Plywood
Installation Type: Floor Standing
Number of Basins: One, with Optional 3cm Top
Vanity Top : Not Included - Optional 3cm Tops Available with Sinks
Wooden Backsplash
Bamboo Drawer Organizer
Number of Drawers: Nine
Number of Tip Outs: One
Assembly Type: Installation of Optional 3cm Top
Drawer Box Material and Construction: Plywood/English Dovetail Joinery
Hardware Material and Finish: Zinc Alloy in Matte Black
Fits Drain Hole Size: 1 3/4"
Full Extension, Soft Close Glides
Aluminum Laminate Drawer Liners
Adjustable Levelers

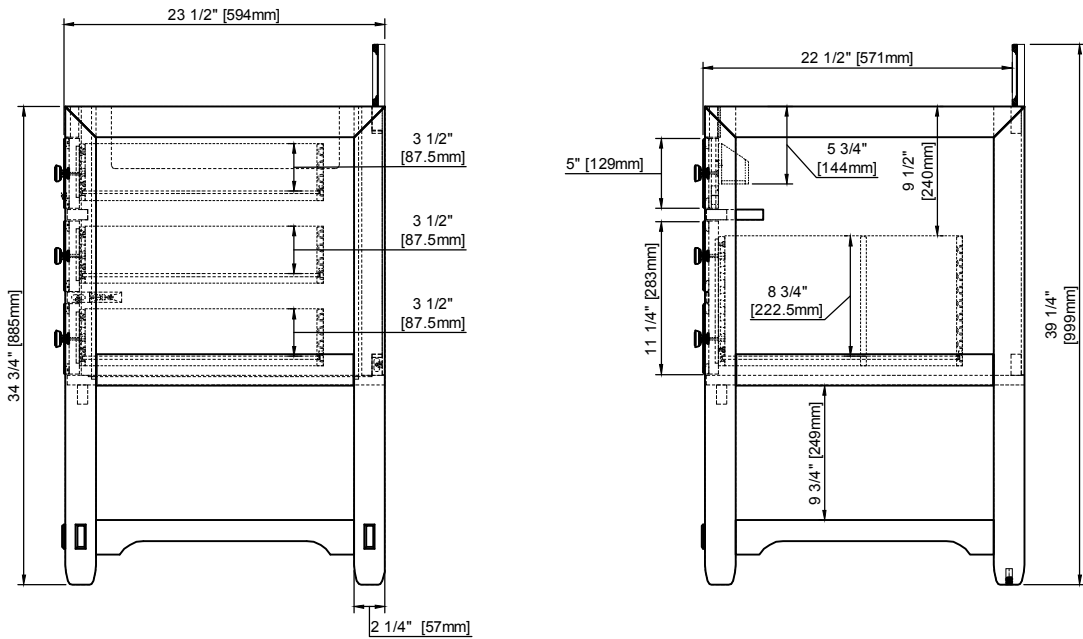
Dimension

Width: 60"
Depth: 23-1/2"
Height: 34-7/8"
Rough-In Height: 21"

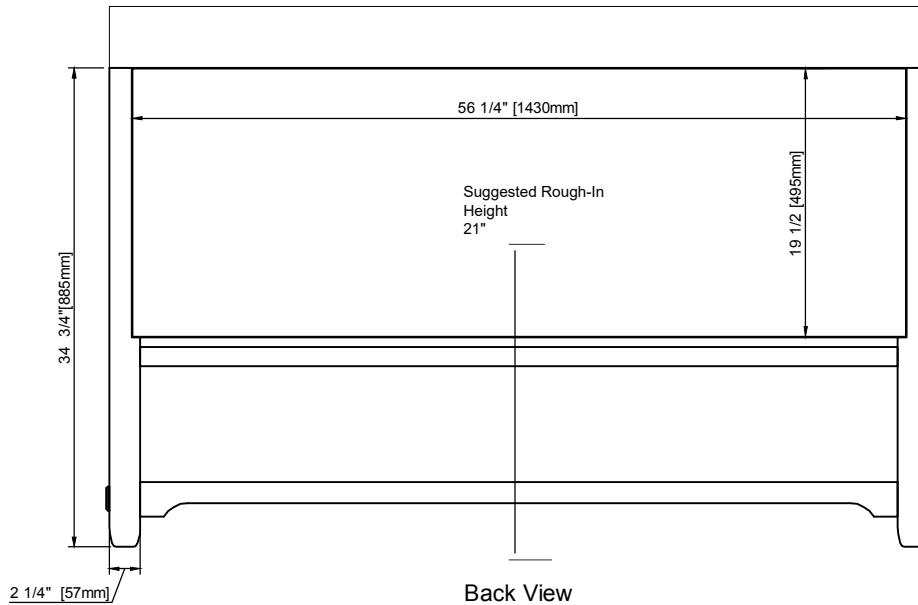
Visit website for warranty and installation information
www.jamesmartinvanities.com

JAMES MARTIN VANITIES

Malibu 60" Vanity
505-V60S-AMB



Side View



Back View

All dimensions are nominal
Diagrams are of cabinet only-James Martin Optional Countertops and sinks are not shown

Visit website for warranty and installation information
www.jamesmartinvanities.com