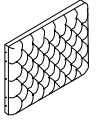
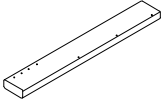
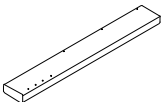
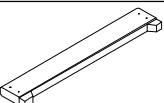
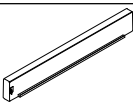
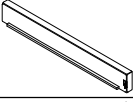

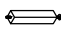







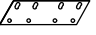

ASSEMBLING INSTRUCTIONS

ITEM NO: 1550CCK-1EK
 1550CCK-1CK
 1550CC-1
 1550CCF-1

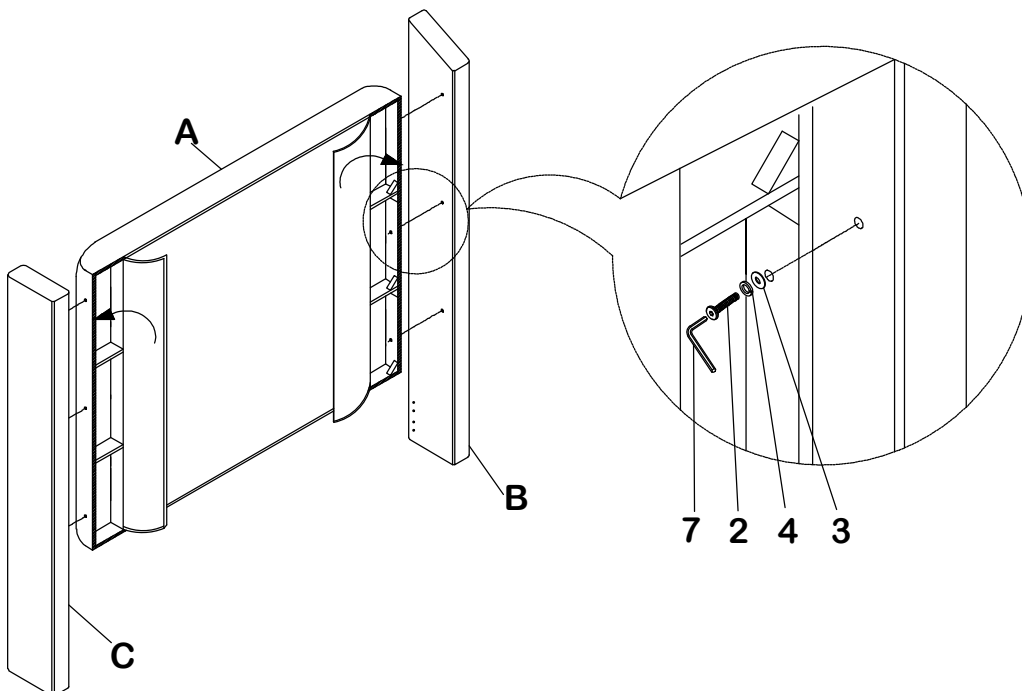
Eastern King Bed in a Box
 California King Bed in a Box
 Queen Bed in a Box
 Full Bed in a Box

! It is recommended to install protective pads under all legs and supports to avoid damage or scratches when placing furniture on a wood floor or other hard surface, and to limit indentation and prevent discoloration if placing on carpet.

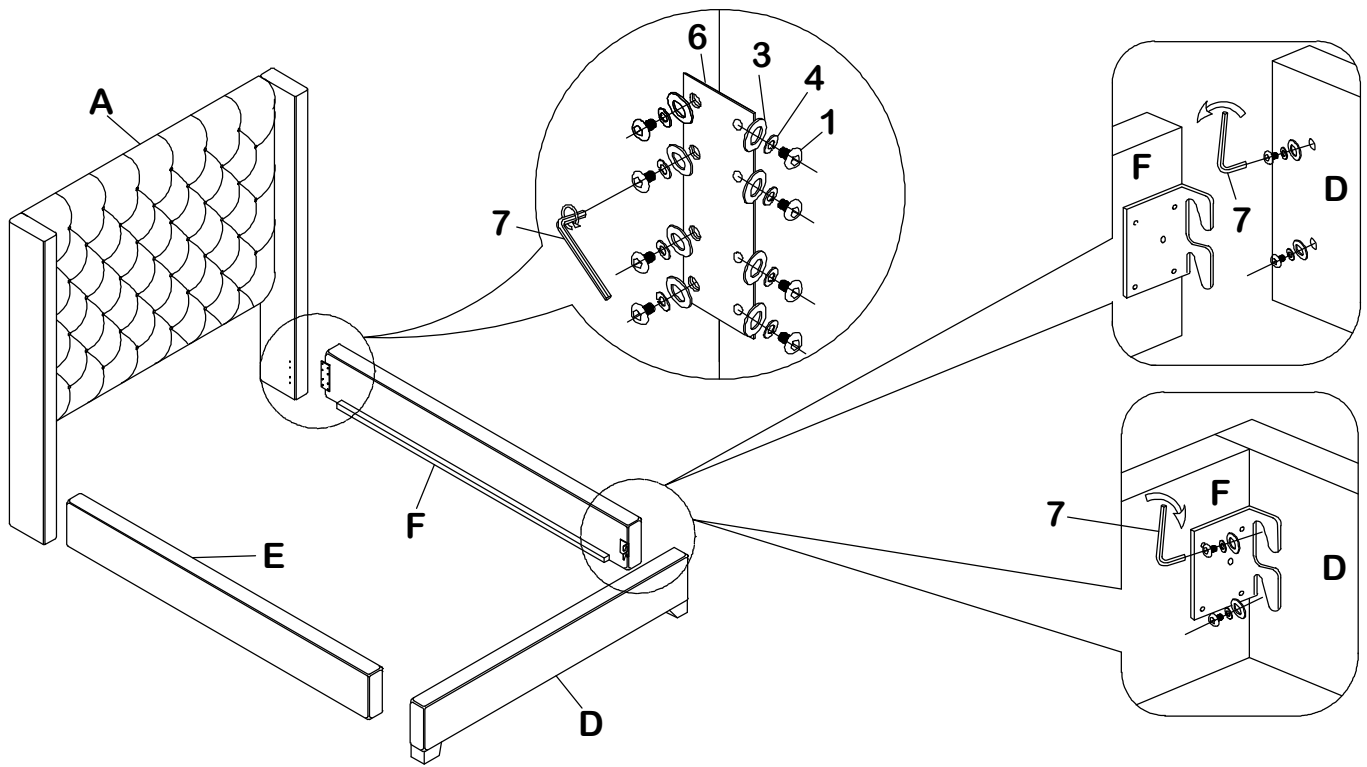
| PART | DRAWING | DESCRIPTION | QTY |
|------|---|------------------|-----|
| A |  | HEADBOARD | 1 |
| B |  | LSF HB POST LEG | 1 |
| C |  | RSF HB POST LEG | 1 |
| D |  | FOOTBOARD | 1 |
| E |  | LSF SIDE RAIL | 1 |
| F |  | RSF SIDE RAIL | 1 |
| G |  | SLAT | 5 |
| H |  | SLAT SUPPORT LEG | 10 |

| PART | DRAWING | DESCRIPTION | QTY |
|------|--|--|-----|
| 1 |  | BOLT (Ø5/16" *1-3/4") | 16 |
| 2 |  | BOLT (Ø5/16" *2-1/2") | 6 |
| 3 |  | FLAT WASHER (Ø5/16") | 22 |
| 4 |  | SPRING WASHER (Ø5/16") | 22 |
| 5 |  | SCREW (M4) | 10 |
| 6 |  | METAL PLATE (8-3/5" *3-1/4" * 3mmL) | 2 |
| 7 |  | ALLEN KEY (M4) | 1 |

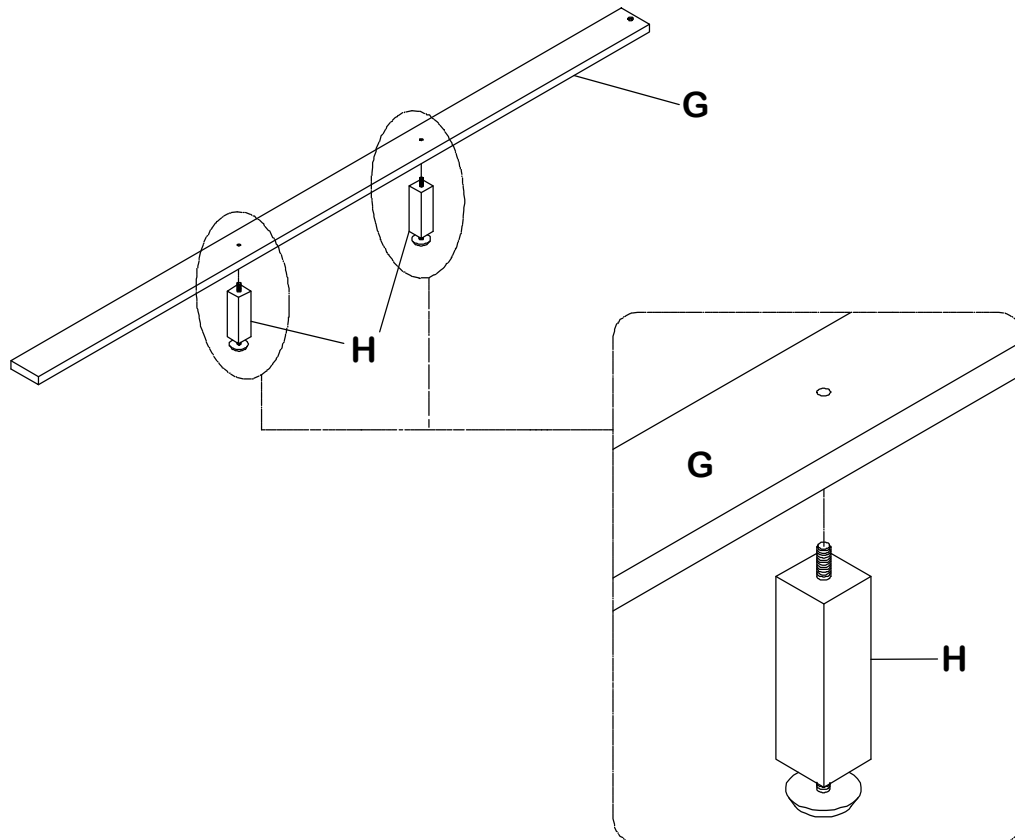
STEP 1:



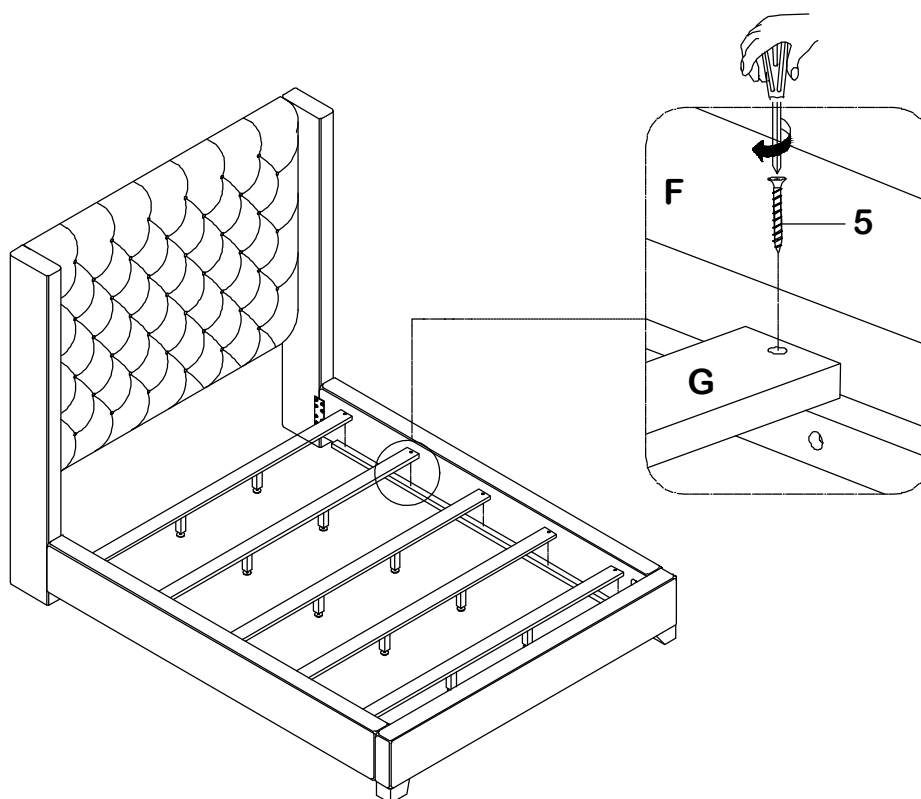
STEP 2:



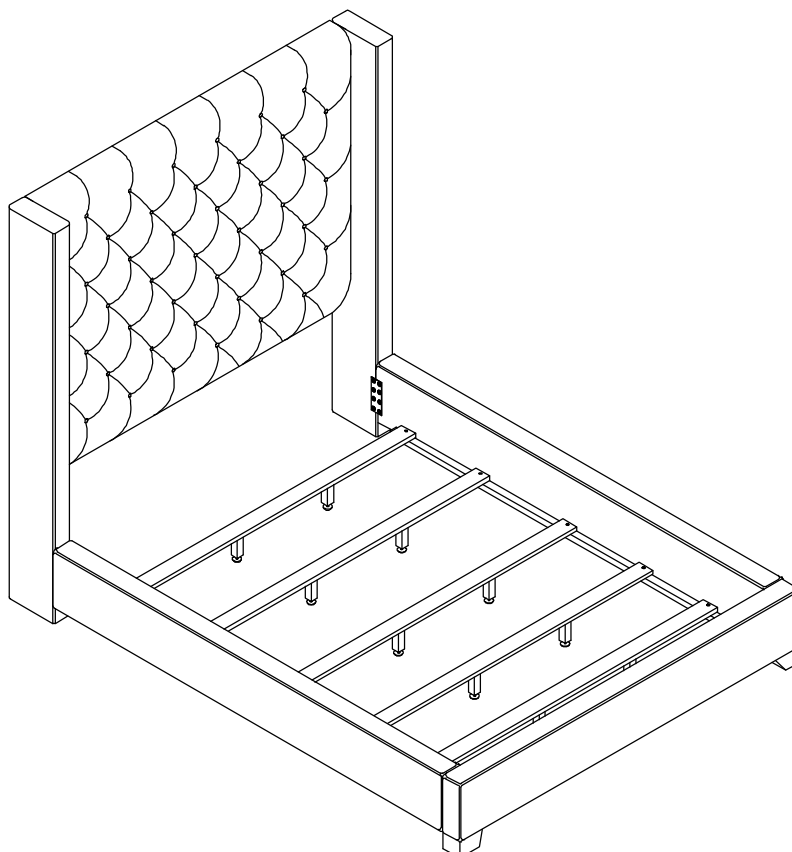
STEP 3:



STEP 4:



STEP 5: COMPLETED



CARE INTRUCTION FOR FABRIC FURNITURE

In order to maintain the original appearance of your 100% Polyester furniture, please follow below care procedures:

°Avoid exposing furniture directly to sunlight or heating and air conditioning outlets. Sunlight and / or exposure to heading and air conditioning outlets will fade/damage fabric. Do not place your upholstered furniture too close to windows, radiators, r vents and be sure to use window treatments to block the sun's rays.

°Wipe with a soft brush to remove dust.