

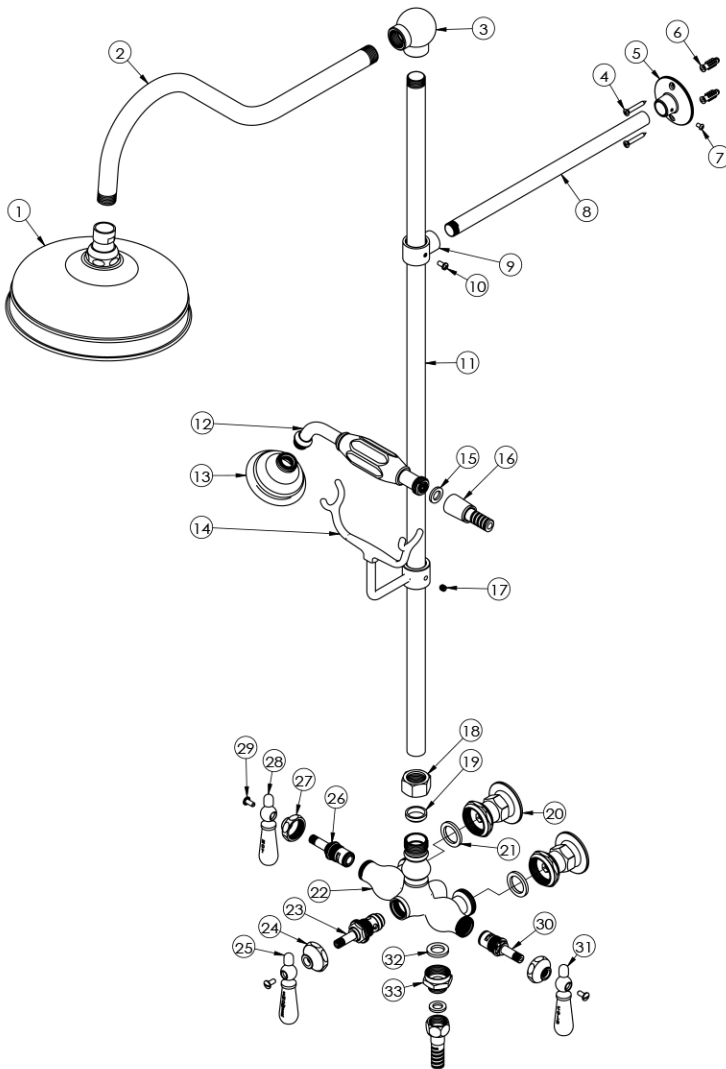


MAIDSTONE

www.MaidstoneSupply.com

Exposed Shower Set

Part No: 141-W9-RS



No.	Part Name	Part No.	FINISH
1	Shower head	HLN-016-8A	Y
2	Shower arm	HL-2980	Y
3	Elbow	HL-4548	Y
4	Screw	HL-4602-6	Y
5	Escutcheon	HL-4602-3	Y
6	Anchor	HL-4602-5	
7	Screw	HL-4602-4	Y
8	Connect tube	HL-4330-12	Y
9	Loop	HL-2722M	Y
10	Screw	HL-1428	Y
11	Riser pipe	HL-43082-36	Y
12	Hand held	HL-4364+5702	Y
13	Shower head	HL-3710	Y
14	Cradle	HLP-0144R	Y
15	Washer	HL-5002-1	
16	Hose	HL-5002	Y
17	Set screw	HL-1420	
18	Locknut	HL-3416-1	Y
19	Seal	HL-1906	
20	Wall coupler	HL-5314	Y
21	Washer	HL-1831	
22	Faucet body	HL-39BD	Y
23	Diverter	HL-1714+1611	Y
24	Escutcheon	HL-2003	Y
25	Handle - Shower	HL-2113+2335	Y
26	Cartridge - Hot	HL-160M-32TH	Y
27	Escutcheon	HL-2014	Y
28	Handle - Hot	HL-2113+2333	Y
29	Screw	HL-1414	Y
30	Cartridge - Cold	HL-160M-32TC	Y
31	Handle - Cold	HL-2113+2334	Y
32	Washer	HL-1830	
33	Adaptor	HL-3437	Y

Contact Maidstone for additional information and specifications. For complete warranty information and a list of dealers visit www.MaidstoneSupply.com. All products and specifications are subject to change without notice. Maidstone is not responsible for typographical and/or dimensional errors. Typographical errors are subject to correction.

Note: Rough-in dimensions may vary +/- 1/2" and are subject to change. No responsibility is assumed by Maidstone.