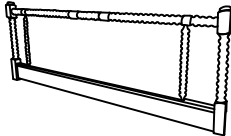
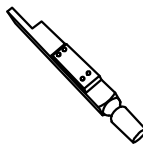
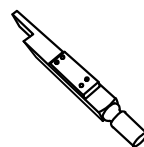
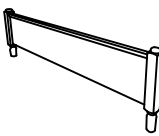
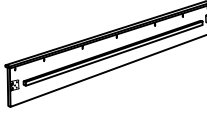
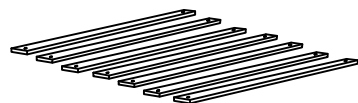





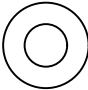
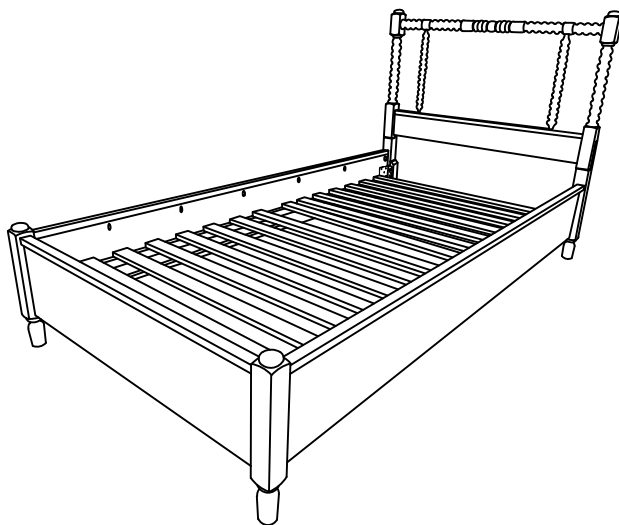


# ASSEMBLY INSTRUCTION

## TWIN BEADED BED

<b>A</b> Headboard  1 pc	<b>B</b> Headboard Leg - Left  1 pc	<b>C</b> Headboard Leg - Right  1 pc
<b>D</b> Footboard  1 pc	<b>E</b> Side Rail  2 pcs	<b>F</b> Slat  2 sets (14 pcs)
<b>G</b> Allen Key M4  1 pc	<b>H</b> Allen Key M5  1 pc	<b>I</b> JCBC Bolt M6 x 40mm  6 pcs
<b>J</b> CSK Screw M4 x 32mm  28 pcs	<b>K</b> Spring Washer M6 x 13mm  6 pcs	<b>L</b> Flat Washer M6 x 16mm  6 pcs



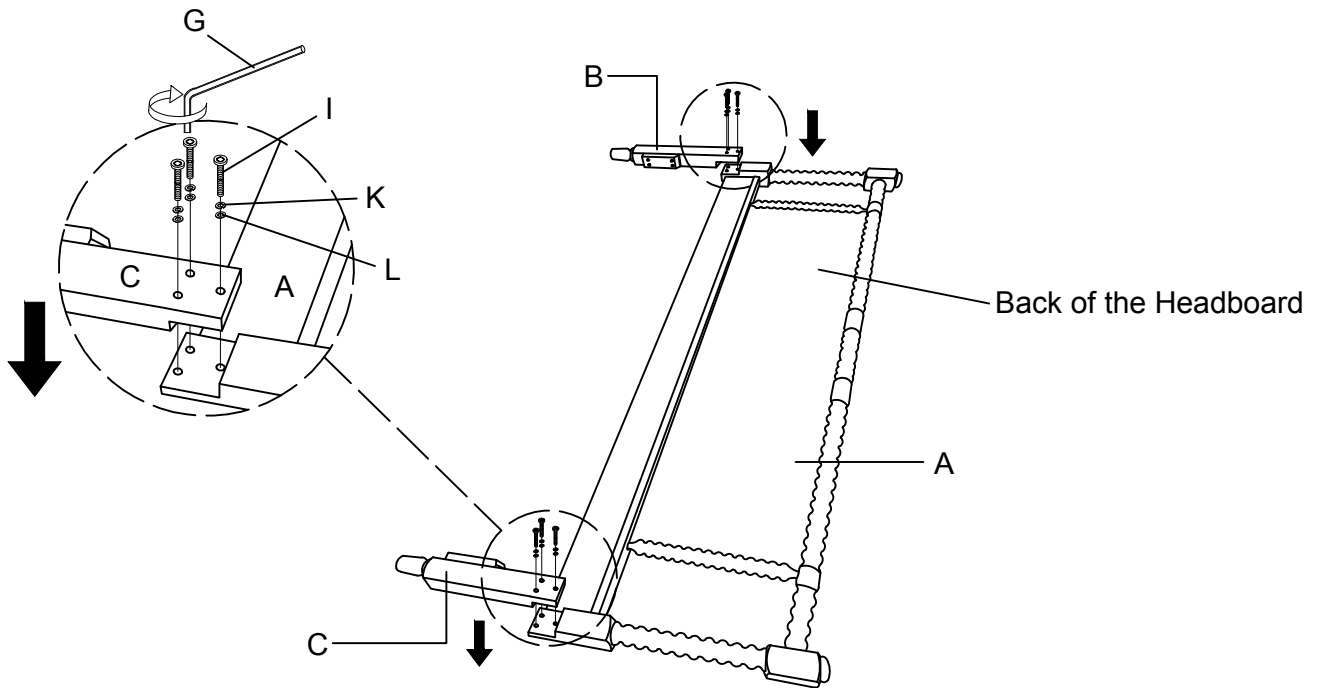
This page lists all the contents included in the box. Please take the time to identify the hardware as well as the individual components to this product. As you unpack and prepare for assembly, place the contents on a carpeted or padded area to protect them from damage.

### **IMPORTANT NOTE :**

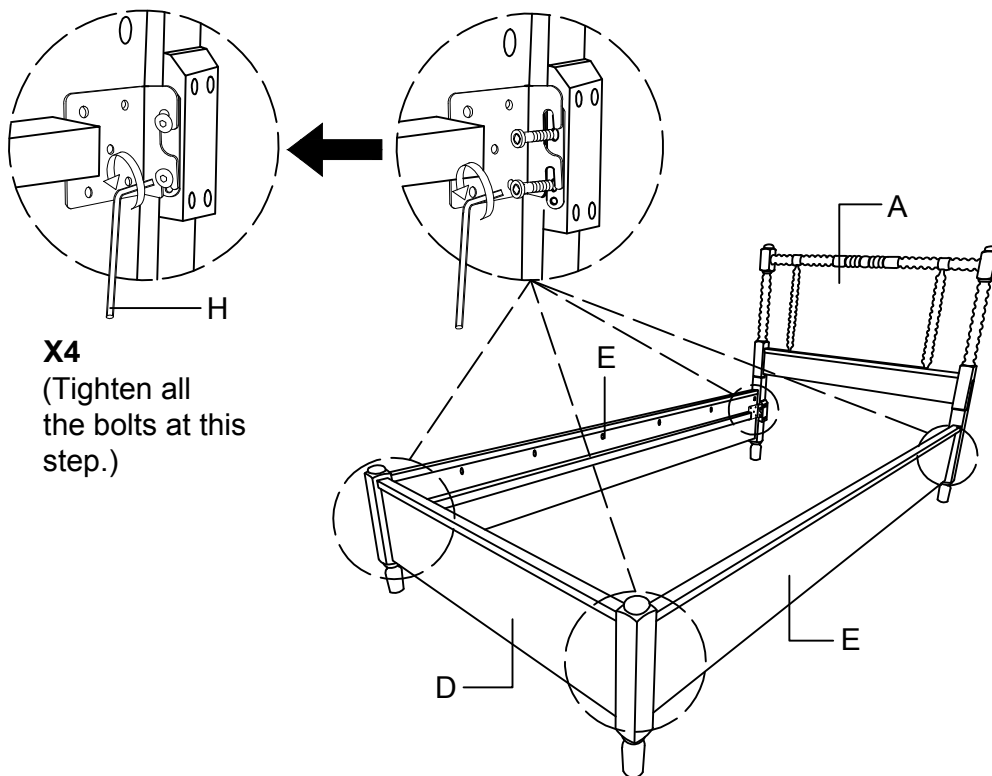
1. Do not tighten all screws / bolts until all completely assembled.
2. Keep all hardware parts out of reach of children.

**1**

Turn the Headboard (A) upside down and place it on a piece of cloth to prevent from scratching. Attach Headboard Leg - Left (B) and Headboard Leg - Right (C) to the Headboard (A). Insert JCBC Bolt (I), Spring Washer (K) and Flat Washer (L) to the holes and tighten using Allen Key M4 (G).

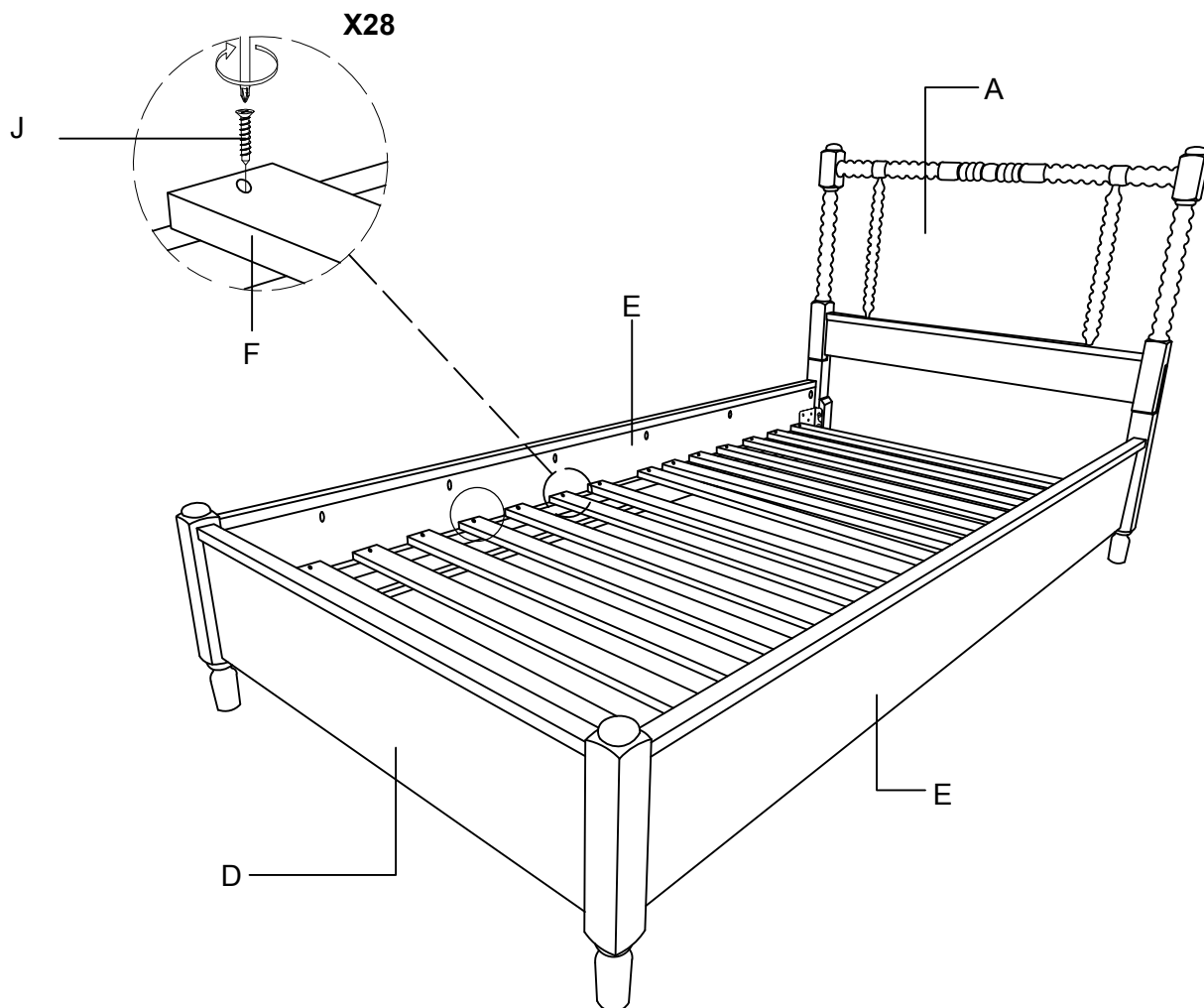
**2**

Attach Side Rail (E) with Headboard (A) and Footboard (D) by hooking the Side Rail Brackets on the bolts (already on HB & FB) and tighten all bolts using Allen Key M5 (H).



**3**

Open the Slat (F) and place it to the Side Rail (E). Tighten the Slat (F) with CSK Screw (J) using Phillips Head Screwdriver (not provided).



### CLEANING & CARE

Treat surface with care. Surface is resistant to scratches but is not scratch resistant. Clean surface with a dry or damp soft cloth. Do not use abrasive cleaners. Hardware may loosen over time. Periodically check that all connections are tight.