

Dotted line size: 711\*432mm

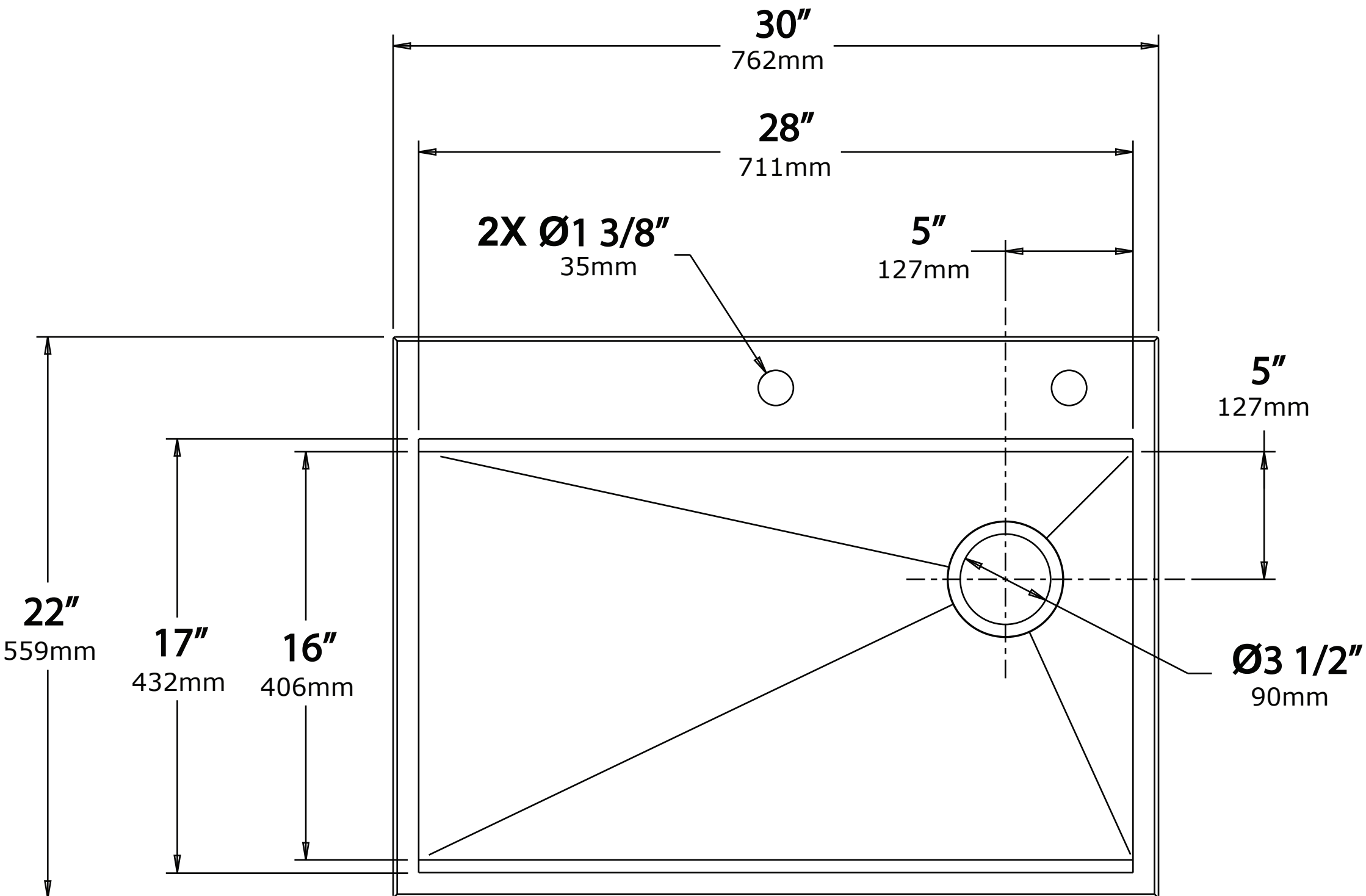
# Kräus®

www.kraususa.com

**Model No.  
KWT310-30**

**Undermount Cut-out**

Pro Hotline: 516.801.8955  
Customer Service: 800.775.0703



Please tear perforated edge for zero / flushed reveal →

Please use outer edge for positive reveal 3/8" →

**NOTE:** Cutout template is provided as a guide **ONLY** and must be checked against actual sink to verify correct fit.