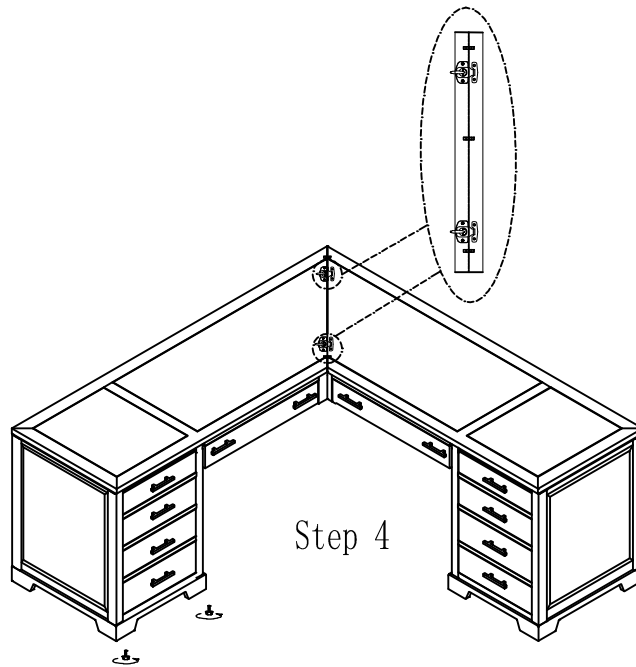
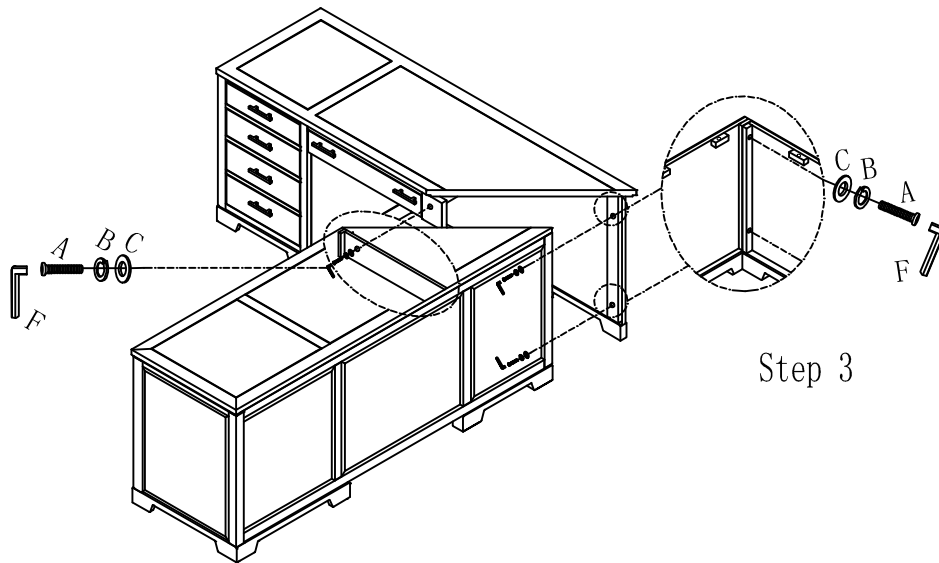


HEKMAN

A HOWARD MILLER COMPANY

ASSEMBLY INSTRUCTIONS

79187-Desk RHF-LHF Door Unit



Step 3: place the right and left assemblies in there final location.

Step 4: Attache side panels and top panels together with Bolt (A) and lock washer (B), flat washer (C) using wrench (F)

Step 5: Install the drawers and writing pads after finishing assemble.

MADE IN VIETNAM