

## SAFETY INFORMATION

Please read and understand this entire manual before attempting to assemble, install or operate the product.

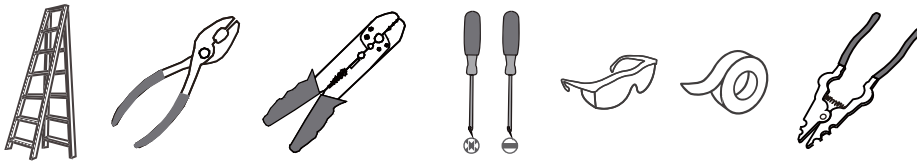
### WARNING

- RISK OF ELECTRIC SHOCK - Before beginning installation, turn off electricity at the circuit breaker box or the main fuse box.
- RISK OF FIRE - Use bulbs specified by the markings and/or labels on the fixture.
- Use ONLY LED bulbs in this fixture. Incandescent and halogen lamps may cause severe thermal damage.

### CAUTION

- For your safety, read instructions completely before beginning installation.
- If in doubt about electrical installation, consult a licensed electrician.
- Turn off electricity to fixture before replacing the bulb(s).

### TOOLS REQUIRED

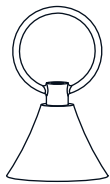


## CARE AND MAINTENANCE

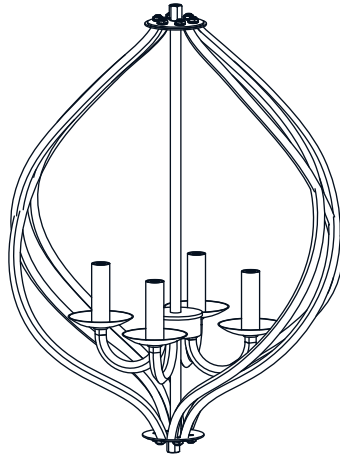
- Wipe clean using soft, dry cloth or static duster. Always avoid using harsh chemicals and abrasives to clean fixture as they may damage the finish.

If you need further assistance call Quozel Customer Care at 1-800-645-3184 (9:00am - 5:00pm EST), or visit us on-line at [www.quezel.com](http://www.quezel.com).

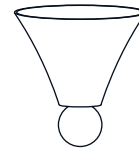
## PACKAGE CONTENTS



**A** Fixture Loop Assembly  
x 1

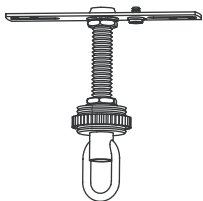


**B** Fixture Body  
x 1



**C** Finial  
x 1

## MOUNTING HARDWARE



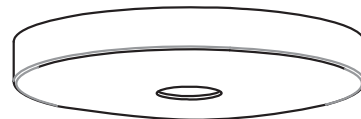
**AA** Crossbar Assembly  
x 1



**BB** Wire Connector  
x 3



**CC** Outlet Box Screw  
x 2



**DD** Ceiling Canopy  
x 1



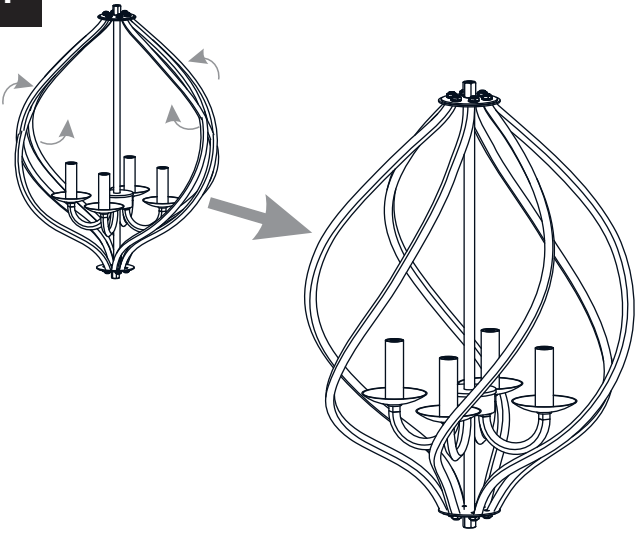
**EE** Quick Link  
x 2



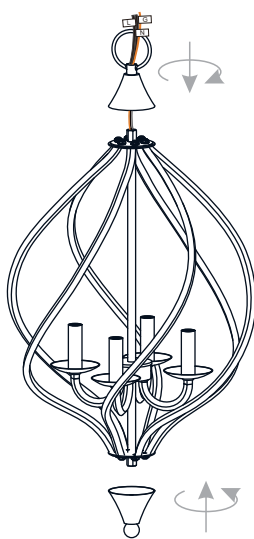
**FF** Fixture Chain  
x 1

# INSTALLATION

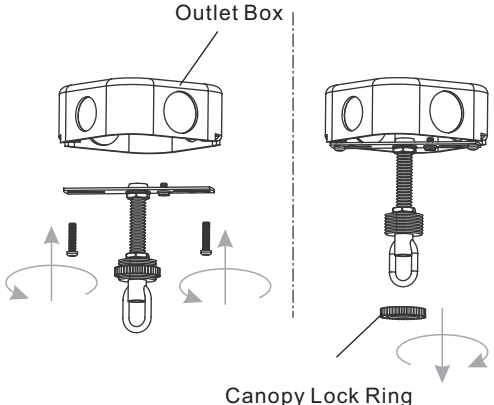
### 1 Unfold Side Arms



### 2 Install Fixture Loop and Finial



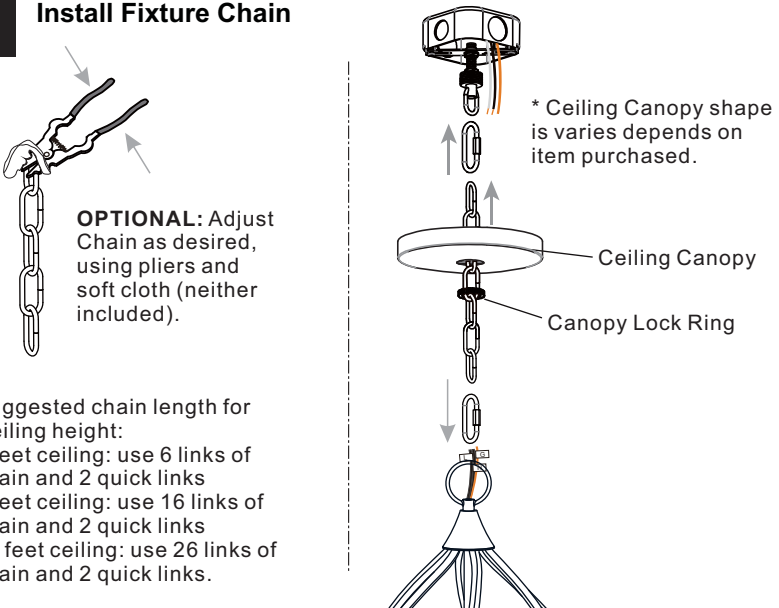
### 3 Install Crossbar Assembly



Outlet Box

Canopy Lock Ring

### 4 Install Fixture Chain



**OPTIONAL:** Adjust Chain as desired, using pliers and soft cloth (neither included).

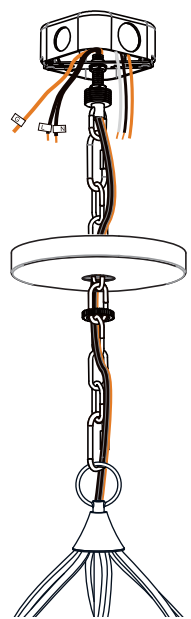
\* Ceiling Canopy shape is varies depends on item purchased.

Ceiling Canopy

Canopy Lock Ring

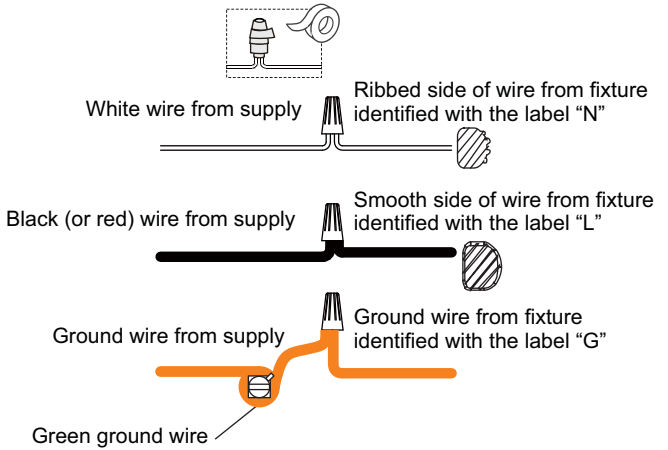
Suggested chain length for Ceiling height:  
8 feet ceiling: use 6 links of chain and 2 quick links  
9 feet ceiling: use 16 links of chain and 2 quick links  
10 feet ceiling: use 26 links of chain and 2 quick links.

### 5 Pull Supply Wires



Pull the supply wires with ground wire through the chain alternate links.

### 6 Wiring



White wire from supply

Ribbed side of wire from fixture identified with the label "N"

Black (or red) wire from supply

Smooth side of wire from fixture identified with the label "L"

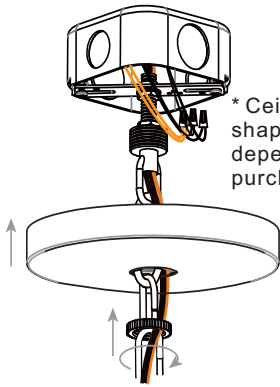
Ground wire from supply

Green ground wire

Ground wire from fixture identified with the label "G"

# INSTALLATION

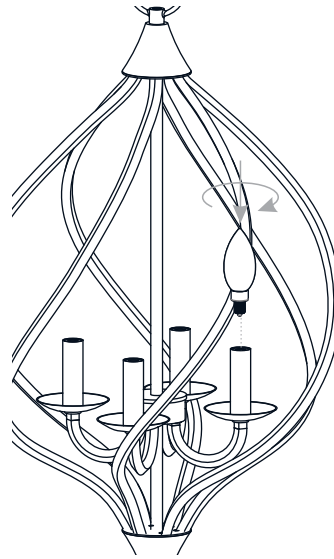
## 7 Install Ceiling Canopy



\* Ceiling Canopy shape is varies depends on item purchased.

## 8 Install Bulbs

Install four correct bulbs referring to fixture markings and/or labels for maximum wattage.



**Recommended Bulb Type (not included):**



**BULB BASE TYPE**  
Candelabra (E12)



**BULB SHAPE**  
TYPE B  
LED ONLY

**Your installation is now complete! Restore electricity and save this sheet for future reference.**