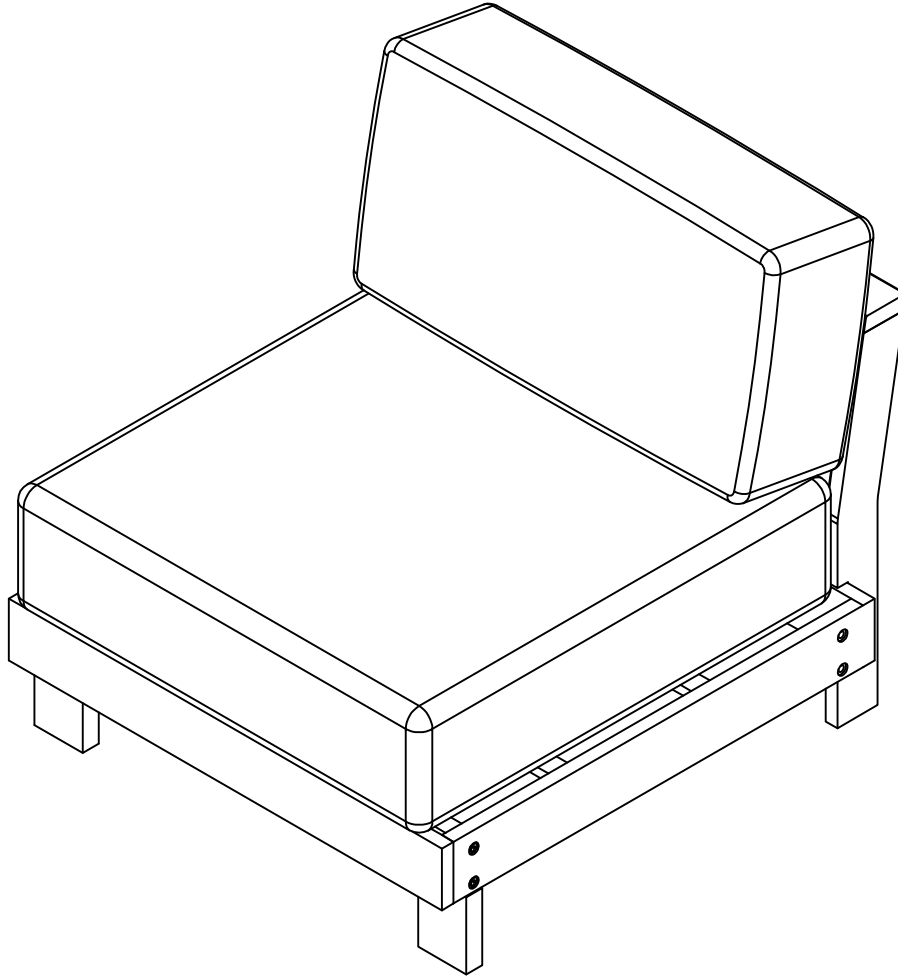


# ASSEMBLY INSTRUCTION

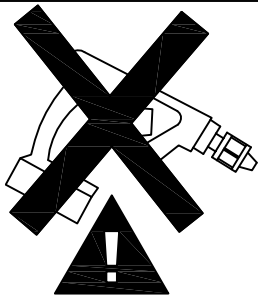
## Armless Chair

80-OUTD-WD-AMLCH 32"Lx36"Wx32"H

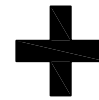
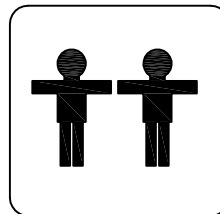


### Customer Service

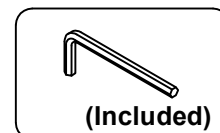
If you have any questions about assembly or possible missing parts, please contact us and we will be glad to assist you. Contact us through our website: [www.TeamCustomerService.com](http://www.TeamCustomerService.com)



. Use of power tool to assemble this product will invalidate any claim and damage this product making it unsafe !!!  
. Please assemble on a clean soft surface to avoid damage.

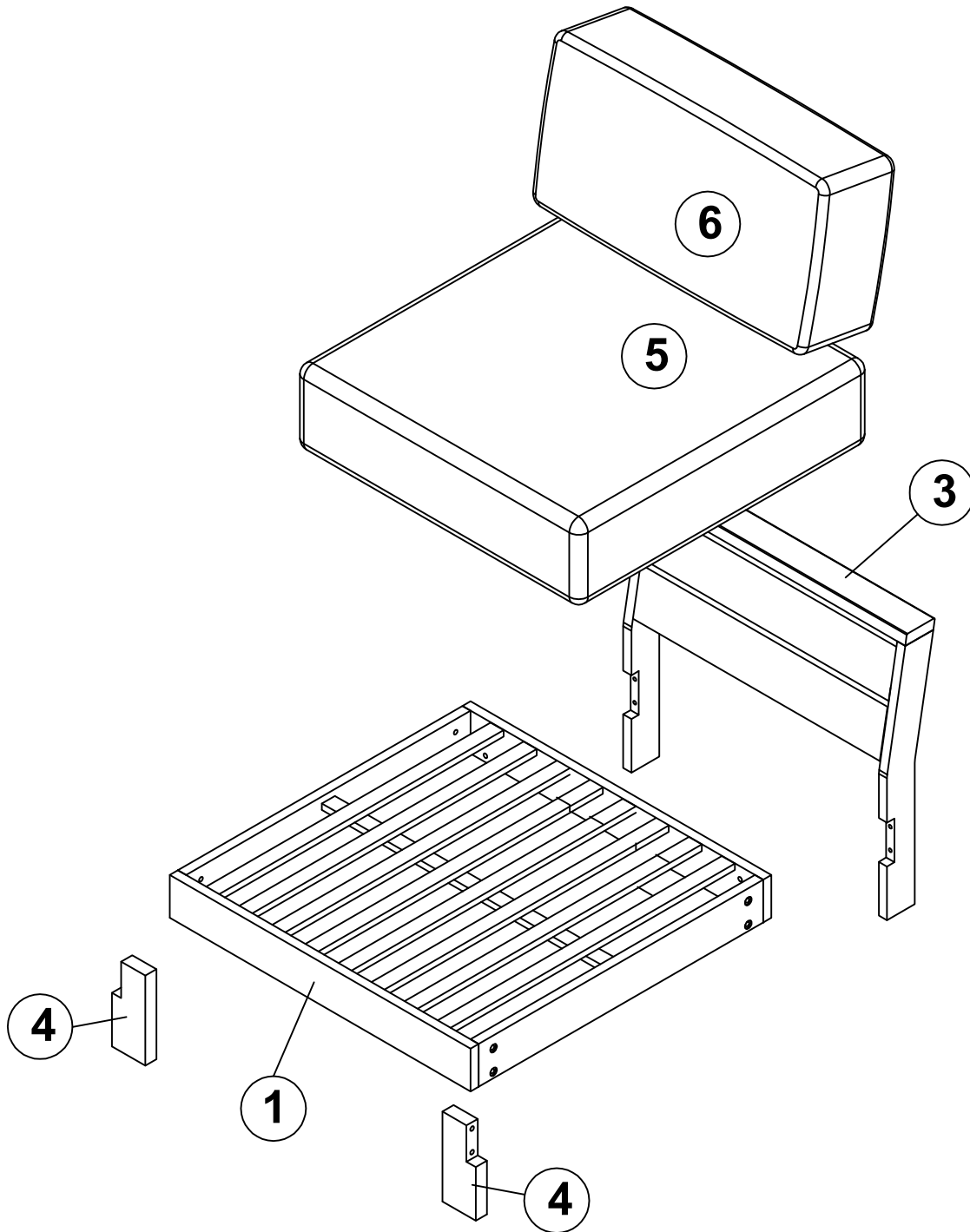


### Tools Required

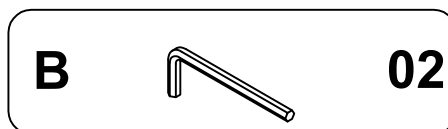
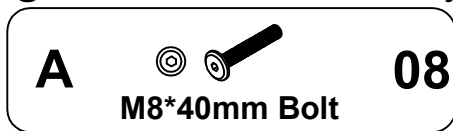


[www.TeamCustomerService.com](http://www.TeamCustomerService.com)

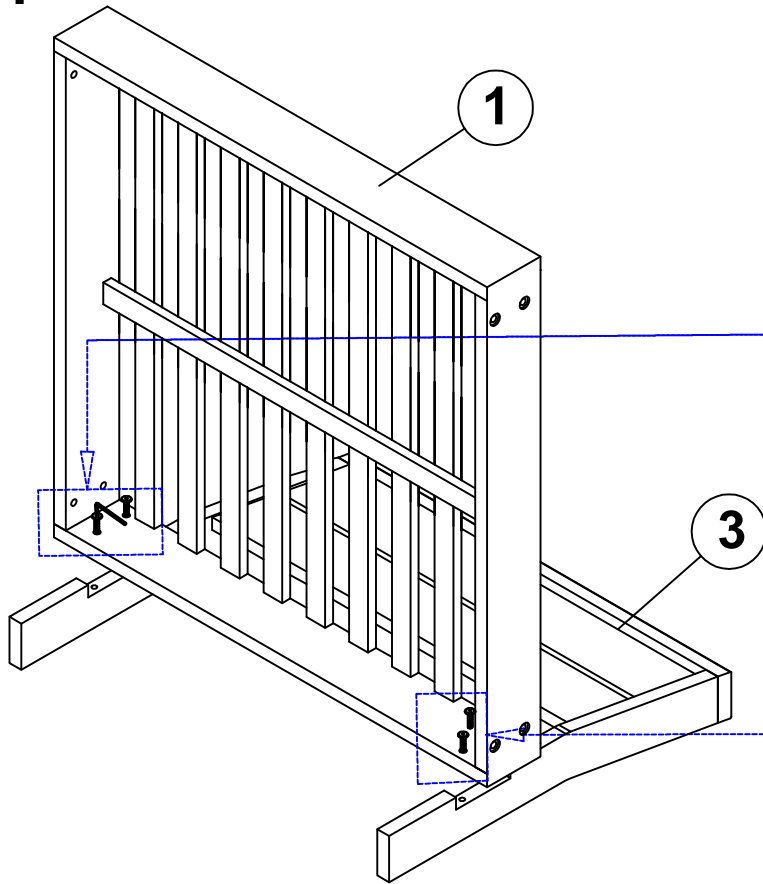
# Part list - Armless Chair



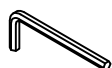
Identifying the hardware-Identify the hardware using the illustrations below

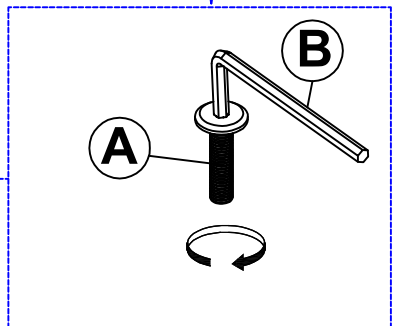


# Step 01

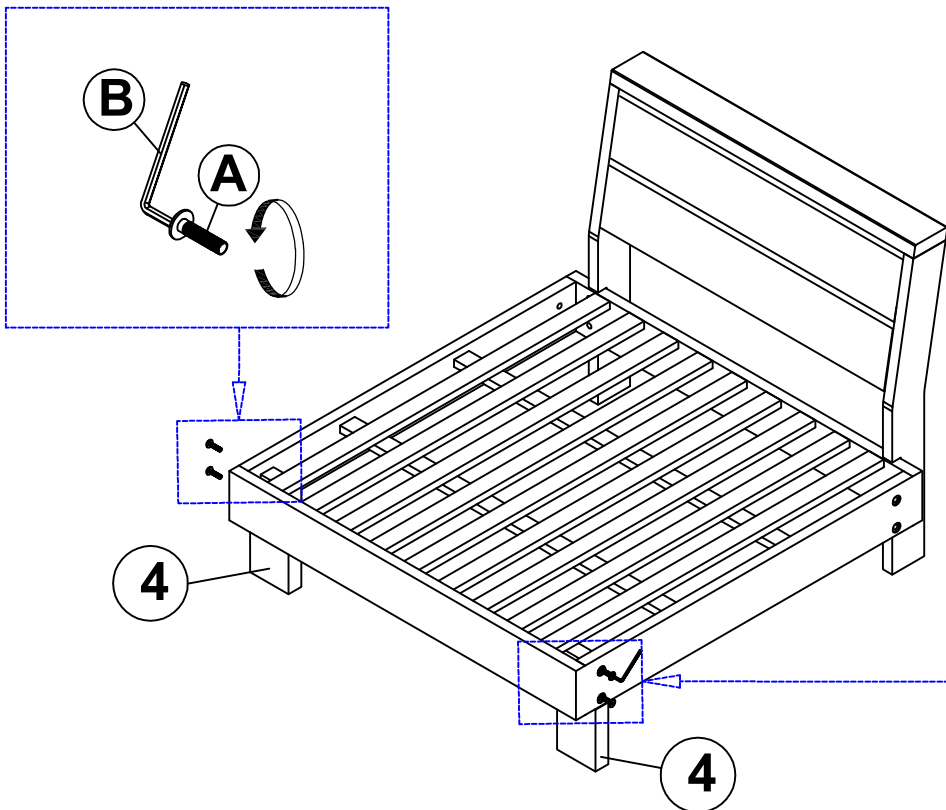


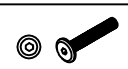
**A**  **04**  
M8\*40mm Bolt

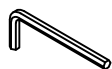
**B**  **01**

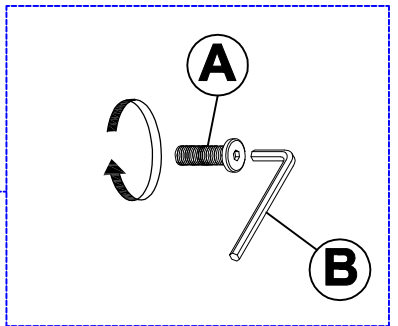
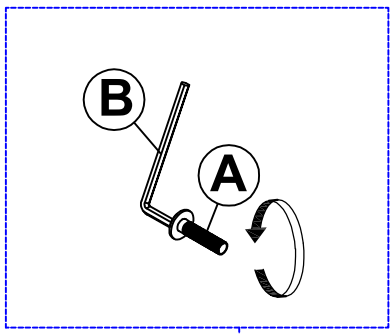


# Step 02



**A**  **04**  
M8\*40mm Bolt

**B**  **01**



# Step 03

