

ASSEMBLY INSTRUCTION / INSTRUCTIONS DE MONTAGE

ITEM NO : 1217F3S/1217F4S/1217F5S

ACCENT CHAIR


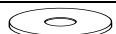


Thank you for purchasing this product. Please take time to read and follow the instructions below. Check that you have all parts and hardware before assembly. Parts immediately missing are often found in the packing materials. If you do not have all the parts listed, have your dealer contact us and they will be sent to you immediately.

△ It is recommended to install protective pads under all legs and supports to avoid damage or scratches when placing furniture on a wood floor or other hard surface, and to limit indentation and prevent discoloration if placing on carpet.






Merci d'avoir acheté ce produit. Veuillez lire et suivre les instructions ci-dessous. Vérifiez avant le montage que vous avez toutes les pièces et fixations. Les pièces de la liste, demandez à votre détaillant et nous vous les enverrons immédiatement.

△ Il est recommandé de placer des coussins protecteurs sous tous les pieds et toutes les bases des meubles pour éviter d'endommager ou d'égratigner les planchers en bois ou autres surfaces dures, et pour limiter l'empreinte et empêcher la décoloration quand les meubles reposent sur la moquette.

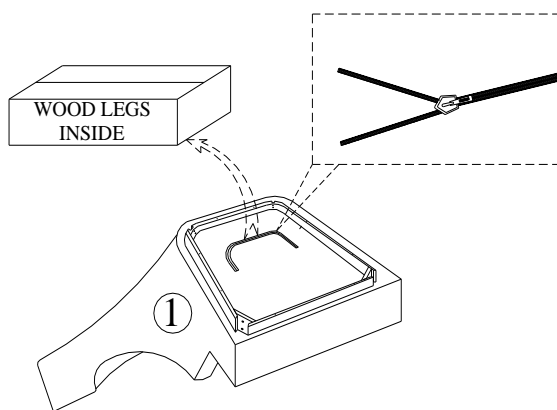
HARDWARE LIST/LISTE DE QUINCAILLERIE

No.	DESCRIPTION	SKETCH	SIZE	Q'TY
A	BOLT		Ø16/5*50 mm	8 PCS
B	FLAT WASHER		Ø16/5*19 mm	8 PCS
C	SPRING WASHER		Ø16/5*13 mm	8 PCS
D	ALLEN KEY		4 mm	1 PC

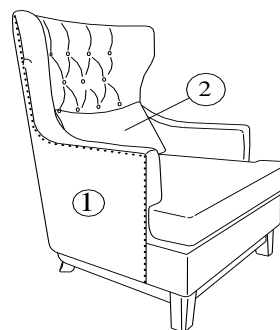
PARTS LIST/LISTE DE PIÈCES

No.	DESCRIPTION	DRAWING	Q'TY
1	ACCENT CHAIR		1 PC
2	PILLOW		1 PC
3	LSF FRONT WOODEN LEG		1 PC
4	RSF FRONT WOODEN LEG		1 PC
5	REAL WOODEN LEGS		2 PCS

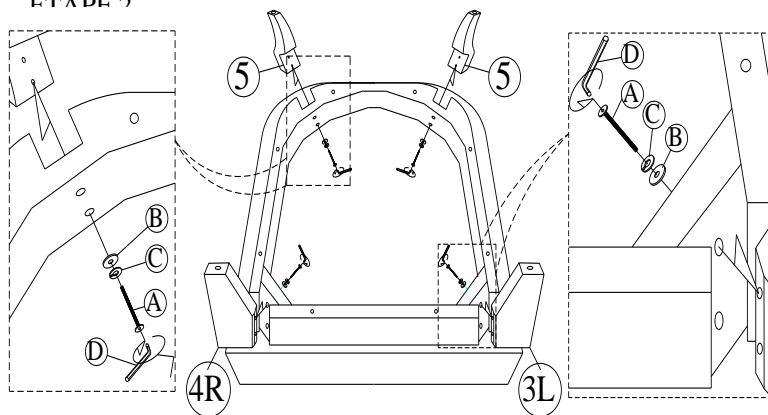
STEP 1 ÉTAPE 1



STEP 3 ÉTAPE 3



STEP 2 ÉTAPE 2



CARE INSTRUCTION FOR FABRIC FURNITURE

In order to maintain the original appearance of your fabric furniture, please follow below care procedures:

Avoid exposing furniture directly to sunlight or heating and air conditioning outlets. Sunlight and / or exposure to heating and air conditioning outlets will fade / damage fabric. Do not place your upholstered furniture too close to windows, radiators, vents and be sure to use window treatments to block the sun's rays.

- Use soft brush to remove dust.