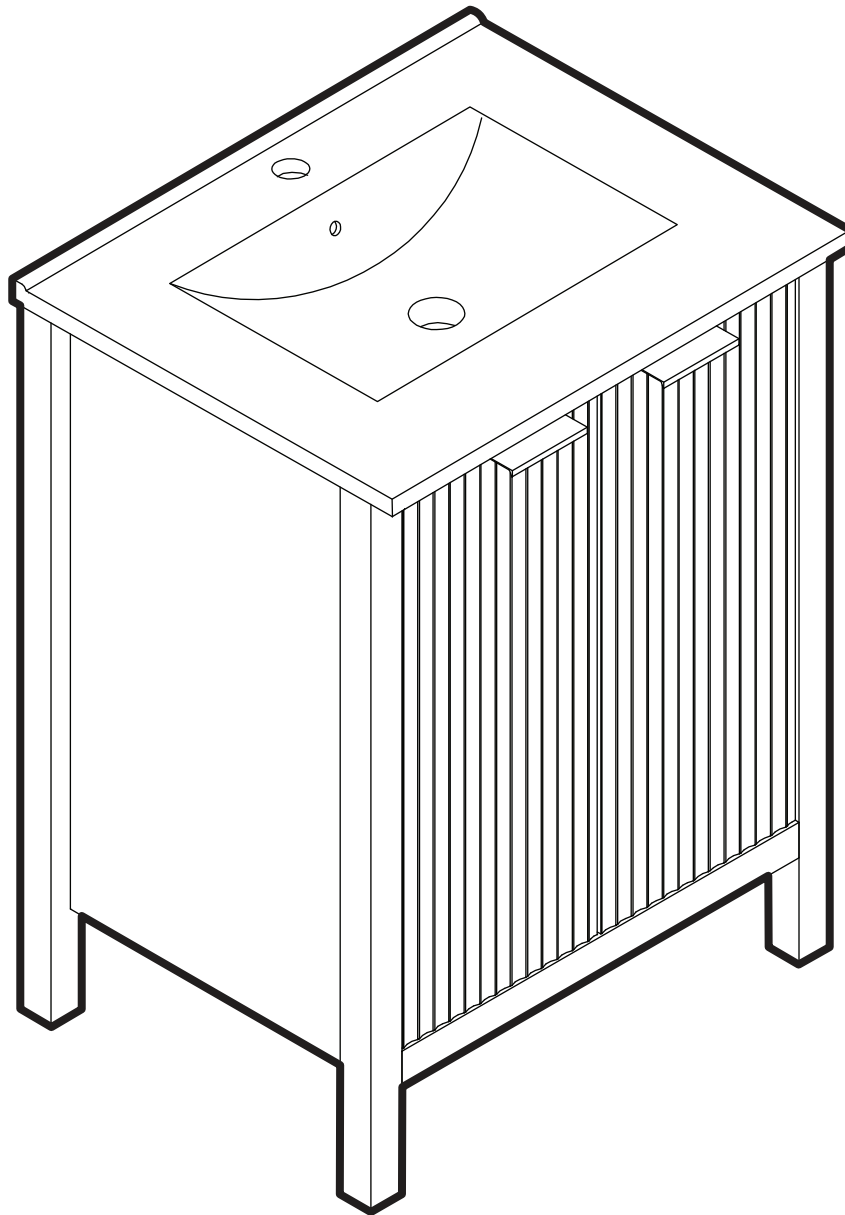


Freestanding Vanity

INSTALLATION INSTRUCTIONS





PRIOR TO INSTALLATION:

- Inspect product to ensure no damages have occurred while in shipping.
- Observe all plumbing and building codes in accordance with your state and local requirements.
- Floor must be level prior to installation of vanity.
- All dimensions are nominal! Be sure to measure your vanity prior to installation.
- The step-by-step guidelines in the installation instructions are a general reference. Should there be any discrepancies, Swiss Madison cannot be held liable. It is recommended to install all Swiss Madison products by hiring a licensed professional.
- Read installation and maintenance instructions thoroughly before installing. Be sure to use proper tools and always wear proper personal safety accessories for your protection.

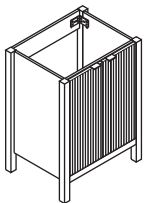
QUESTIONS OR CONCERNS?

Please contact us:

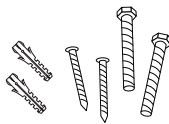
1-434-623-4766

info@swissmadison.com

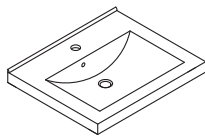
INCLUDED PARTS:



Vanity Base



Hardware



Vanity Sink

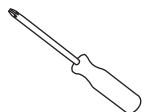
SUGGESTED TOOLS & MATERIALS:



Safety Glasses



Gloves



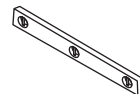
Screwdrivers



Silicone



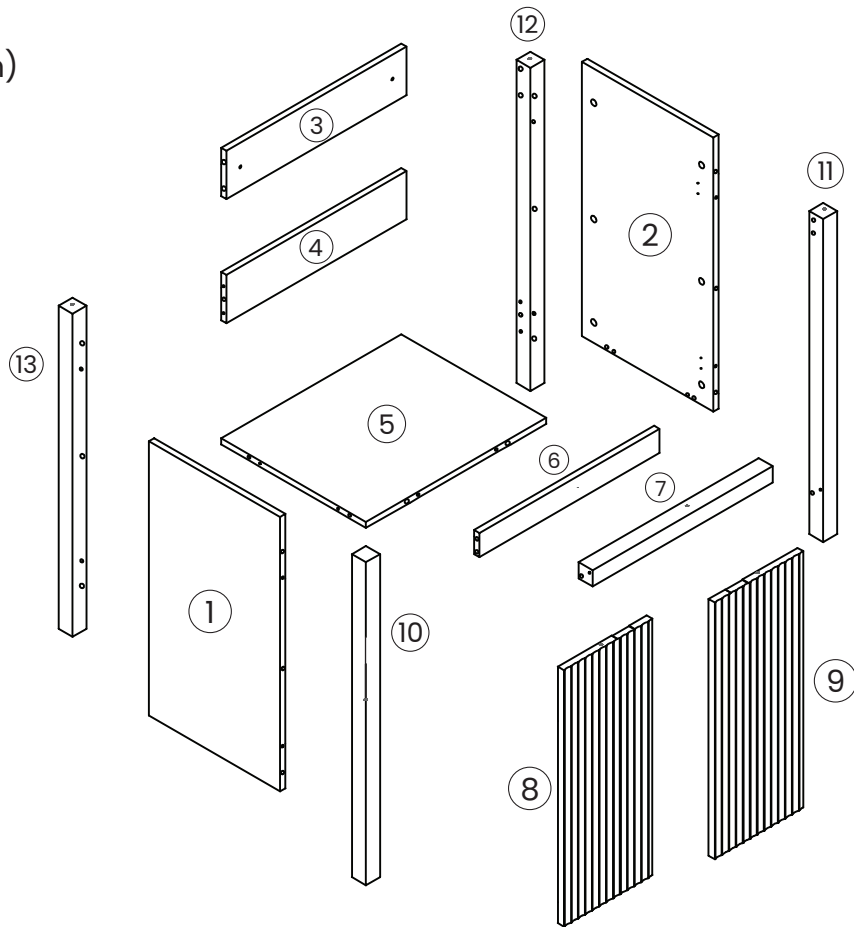
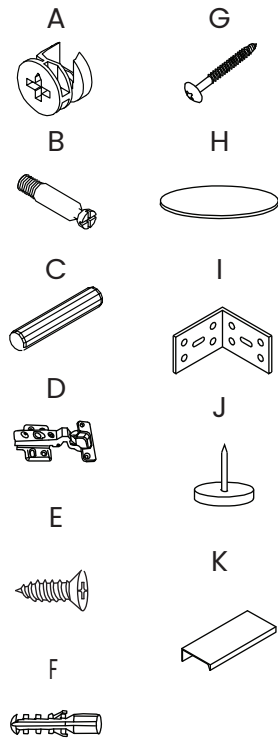
Drop Cloth



Level

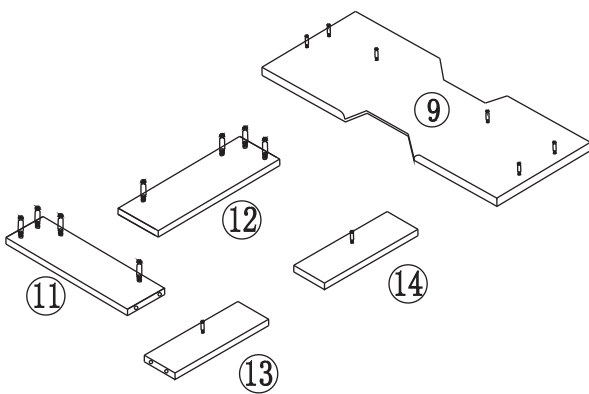
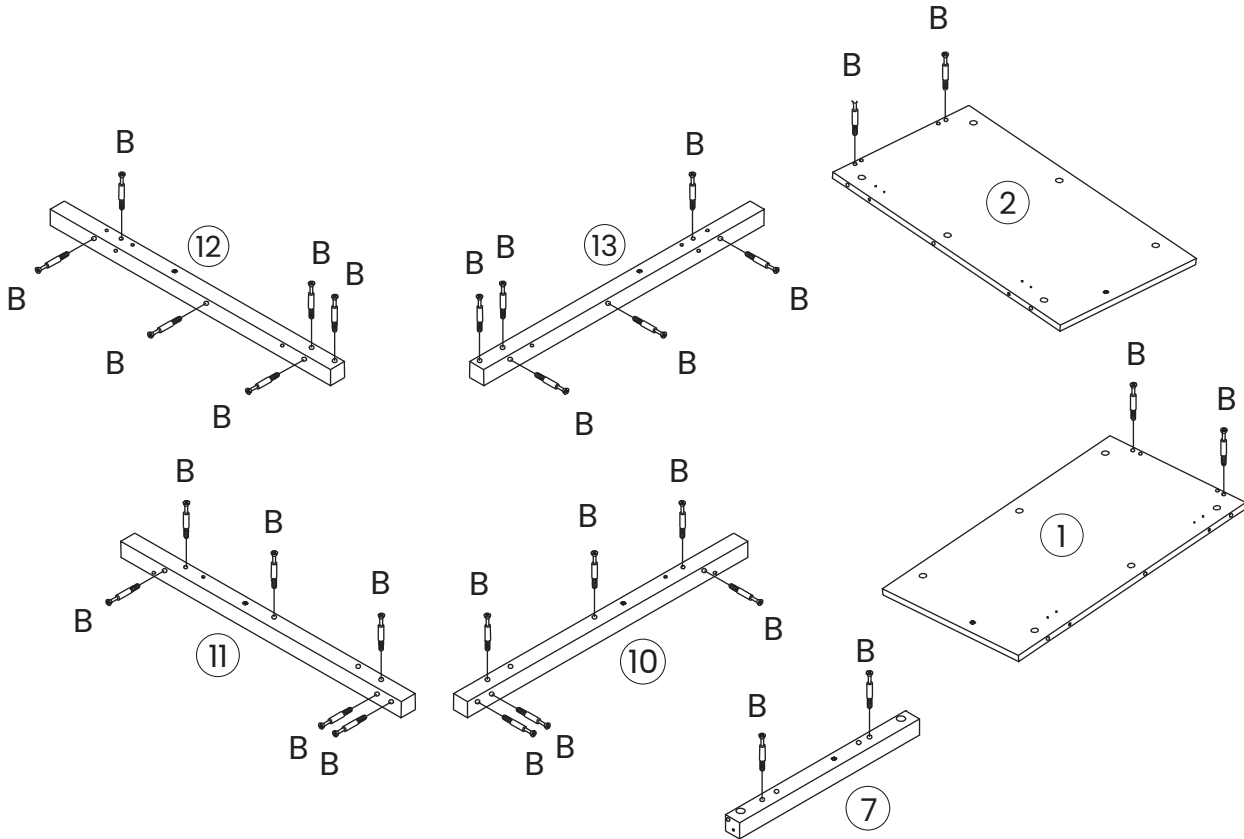
Parts for Reference:

- 1. Left side panel
- 2. Right side panel
- 3. Rear top bar
- 4. Rear bottom bar
- 5. Base panel
- 6. Front top bar
- 7. Front bottom outer bar
- 8. Left door
- 9. Right door
- 10. Left panel front bar
- 11. Right panel front bar
- 12. Right panel back bar
- 13. Left panel back bar
- 16. Large drawer left panel
- 17. Large drawer right panel
- 18. Large drawer back panel
- 19. Large drawer bottom panel
- A. Cam lock
- B. Cam bolt
- C. Wooden dowels
- D. Hinges
- E. Screws (14 mm)
- F. Plastic anchors (35 mm)
- G. Wall anchor screws (60 mm)
- H. Cam lock covers
- I. Metal bracket
- J: Adjustable feet
- K: Door handles



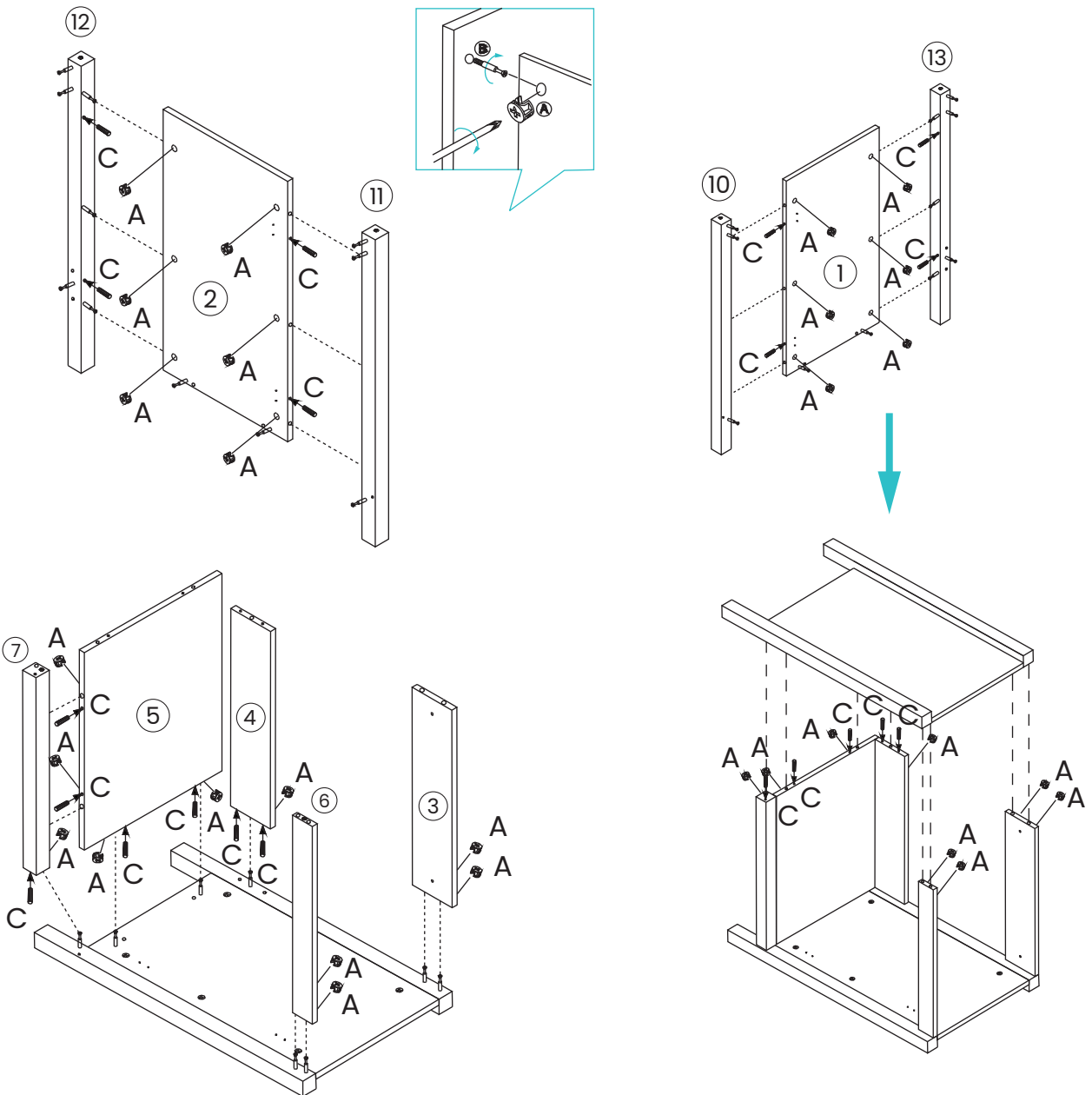
1 Prepare Frame

- Screw 6 cam bolts (B) into top and sides of left panel front bar (10) using the predrilled holes as shown. Repeat with an additional 6 cam bolts (B) to the right panel front bar (11), right panel back bar (12), and left panel back bar (13).
- Screw 2 cam bolts (B) into front bottom outer bar (7).
- Screw 2 cam bolts (B) into left side panel (1). Repeat for the right side panel (2).



2 Assemble Base & Frame

- Insert 2 wooden dowels (C) into each side of right side panel (2) as shown. Attach right panel front bar (11) and right panel back bar (12). Secure using 6 cam locks (A).
- Insert 4 wooden dowels (C) to the base panel (5) as shown.
- Insert 1 wooden dowel (C) to the right end of the front outer bar (7). Attach to base panel (5).
- Insert 2 wooden dowels (C) to the right end of rear bottom bar (4).
- Secure right side panel (2) to the base panel (5) and bars (3, 4, 6, 7) using 10 cam locks (A).
- Insert 2 wooden dowels (C) into each side of left side panel (1) as shown. Attach left panel front bar (10) and left panel back bar (13). Secure using 6 cam locks (A).
- To finish frame assembly, attach the assembled left side panel to the base panel (5), front bar (6), and back top bar (3).

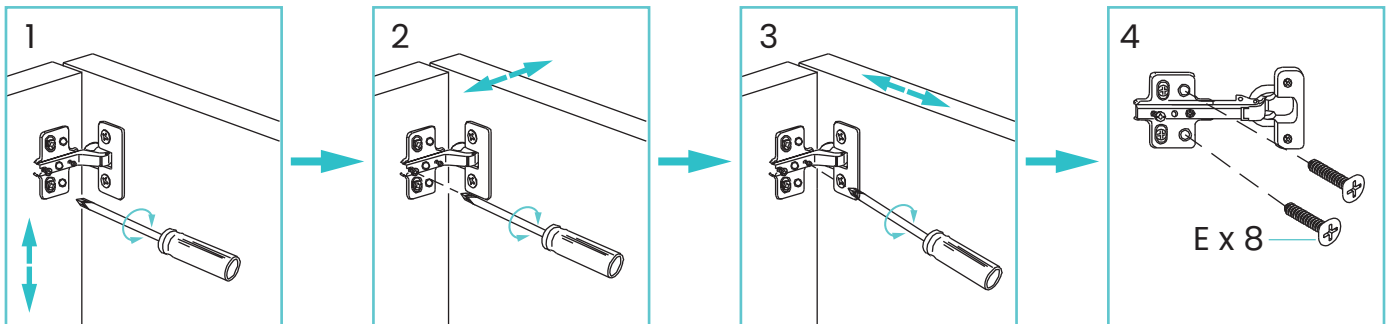
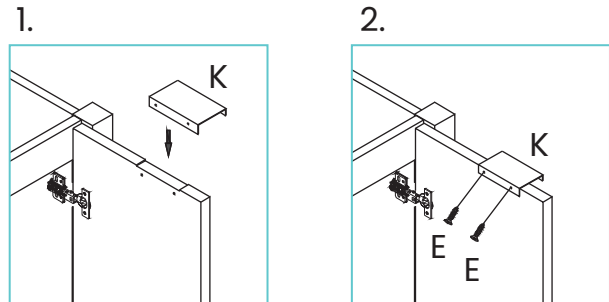
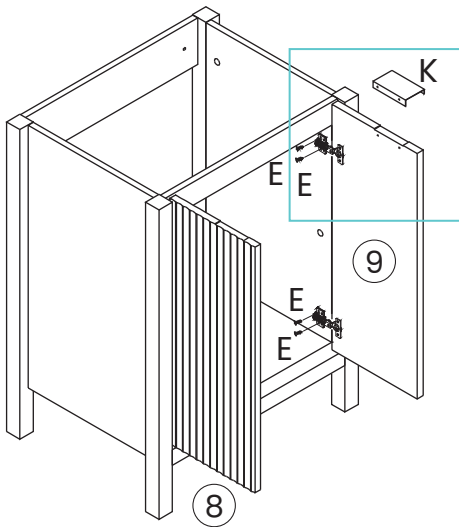
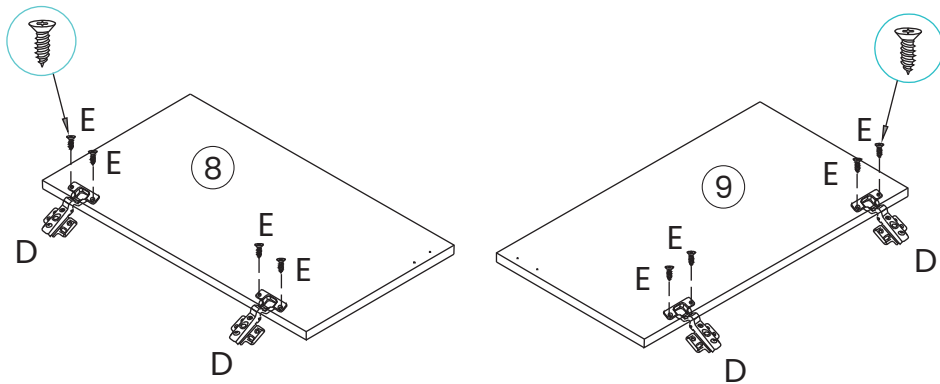


3 Assemble Doors & Handles

- Install 2 hinges (D) to both the left door (8) and the right door (9) using 2 screws (E) per hinge.
- Use an additional 2 screws (E) per hinge (D) to attach the left door (8) and right door (9) to the cabinet

NOTE: If the doors do not align properly, adjust the hinges according to the diagram below. Once adjustments have been completed, secure the hinges using 2 screws (G) each.

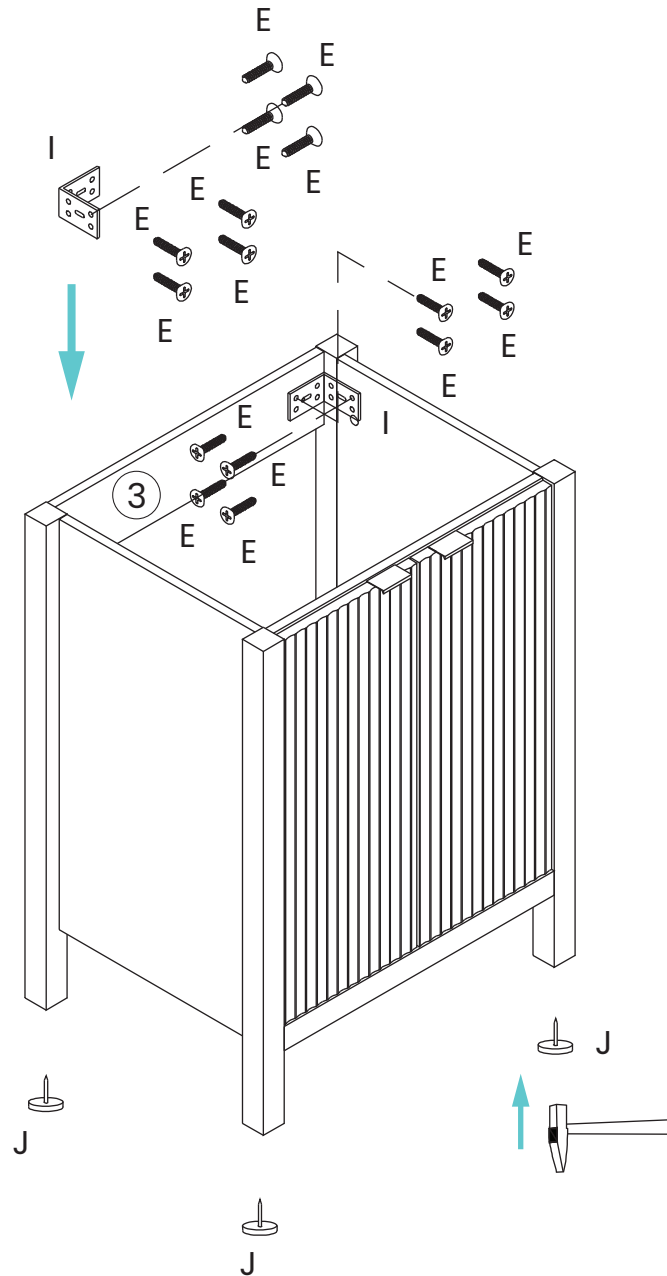
- Install the handles (K) to the doors (8, 9) using the door handle screws (E).



4 Install Support Brackets and Feet

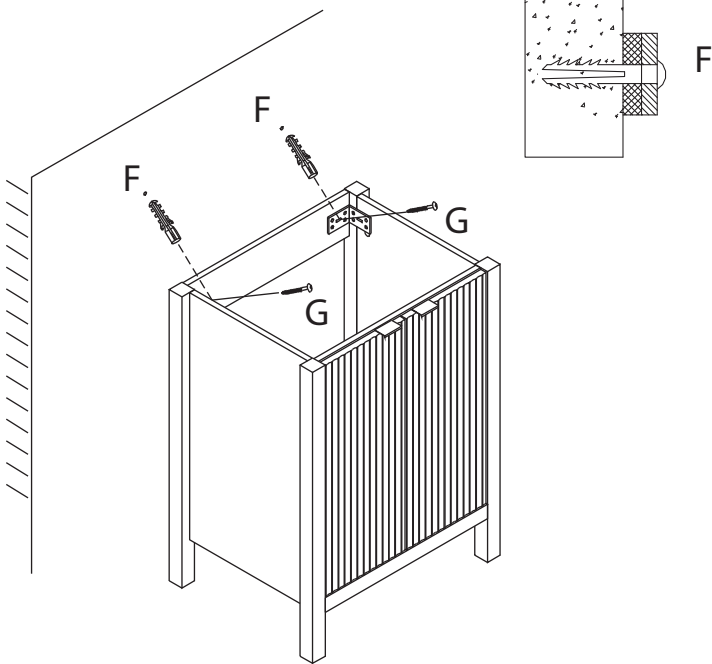
- Attach 2 metal brackets (I) to the rear top bar (3) using 16 screws (E).
- Using a hammer, secure the 4 support feet (J) to the bottom of each vanity leg.

NOTE: rubber mallet is the preferred tool to avoid damaging support feet.



5 Secure Vanity to Wall

- Mark desired mounting location on wall and ensure placement is level.
- Select installation option 1 or 2.



Option 1: Securing to Drywall

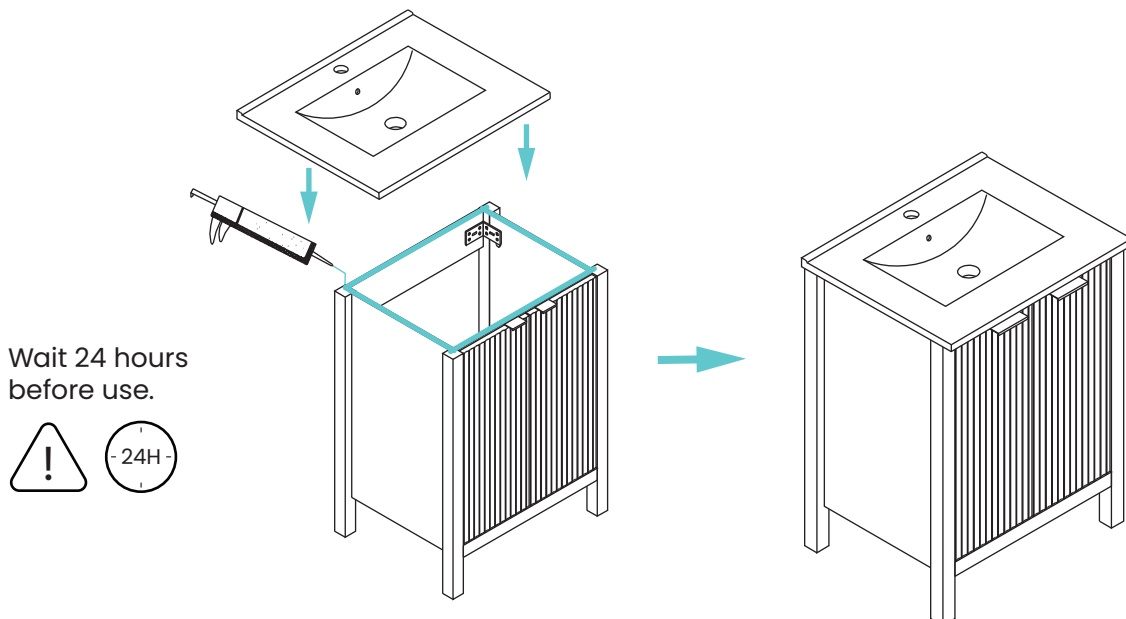
- Position cabinet against wall in desired location.
- Using a pencil, make a mark on the wall through the holes in each bracket (D).
- Move cabinet away from the wall. Create a pilot hole in each mark on the wall, then insert the plastic anchor (F).
- Place cabinet against the wall, insert a screw (F) through the metal bracket (D) into each hole in the wall, then tighten to plastic anchors (F) to secure the vanity.

Option 2: Securing to Drywall & Wood Stud

- Position cabinet against wall in desired location, be sure desired mounting location aligns with existing wood studs.
- Insert screw (F) through the holes in the metal bracket (D), then tighten through the drywall into the wood stud. Repeat this step for the other metal bracket (D) to secure the vanity.

6 Vanity Top Installation

- Install faucet and drain according to manufacturer's installation instructions. Do not overtighten, this may cause the sink to crack.
- Set the vanity top on top of the vanity base, checking the location of the p-trap and drain.
- Remove vanity top from vanity base. Apply a thin bead of silicone around the vanity base and set the vanity top carefully in place.
- Remove excess silicone with a wet cloth.



ONE-YEAR LIMITED WARRANTY

Swiss Madison® products are made with quality materials and excellent craftsmanship to provide our customers with beautiful, durable, long-lasting products. Should there be any defects in materials or craftsmanship under regular use that are discovered within the first year after delivery, Swiss Madison® will provide replacement parts at no charge, or at its discretion, replace any product or part of the product that is deemed defective, under normal installation, use, service or maintenance. This warranty applies only to the original purchaser. Proof of purchase must be submitted with any warranty claim.

Swiss Madison® recommends that all installations of Swiss Madison® products to be conducted by a licensed plumber or contractor. Swiss Madison® will not be held responsible for any damage or product failure due to improper installation, misuse, or failure to utilize a licensed plumber or contractor for installation. Swiss Madison® is not responsible for any installation or removal costs.

THIS ONE-YEAR LIMITED WARRANTY WILL BE VOIDED IF:

- The installation instructions were not followed by the installer
- The product has been moved from its initial place of installation
- The product has in any way been modified from its original condition
- The product has been subjected to improper maintenance, abuse, misuse, excessive use of chemicals, accidents, or other damages

Swiss Madison® makes no warranty that its products comply with any local building or plumbing codes. It is the consumer's responsibility and obligation to determine local code compliance prior to and during installation.

Swiss Madison® is not responsible for any special, incidental or consequential damages associated with the installation, replacement, return or use of the original purchaser's product. This includes, but is not limited to: freight costs, labor, travel time, lost profit, home damages and other contingent liabilities and costs (including, without limitation, costs associated with 'professionals' or 'experts', investigations, audits, analyses, attorneys and any other professional/hired services). Some states do not allow the exclusion or limitation of incidental or consequential damages, so the above limitation or exclusion may not apply to you.

The Swiss Madison® warranty is a comprehensive and explicit limit of liability. All other warranties are hereby disclaimed and waived.

QUESTIONS OR CONCERNS? Please contact us directly at: 1-434-MADISON (623-4766)



WARNING:

Contents of your order may contain sharp and possibly other harmful pieces and may cause hazard to children and adults. Swiss Madison® is not responsible in any way for personal injuries or damages.