



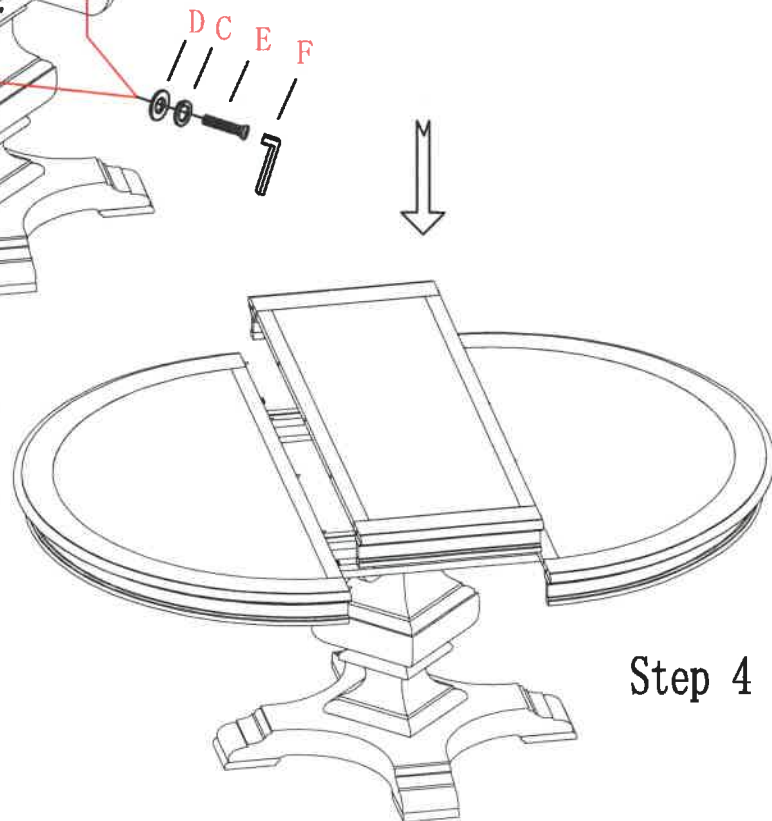
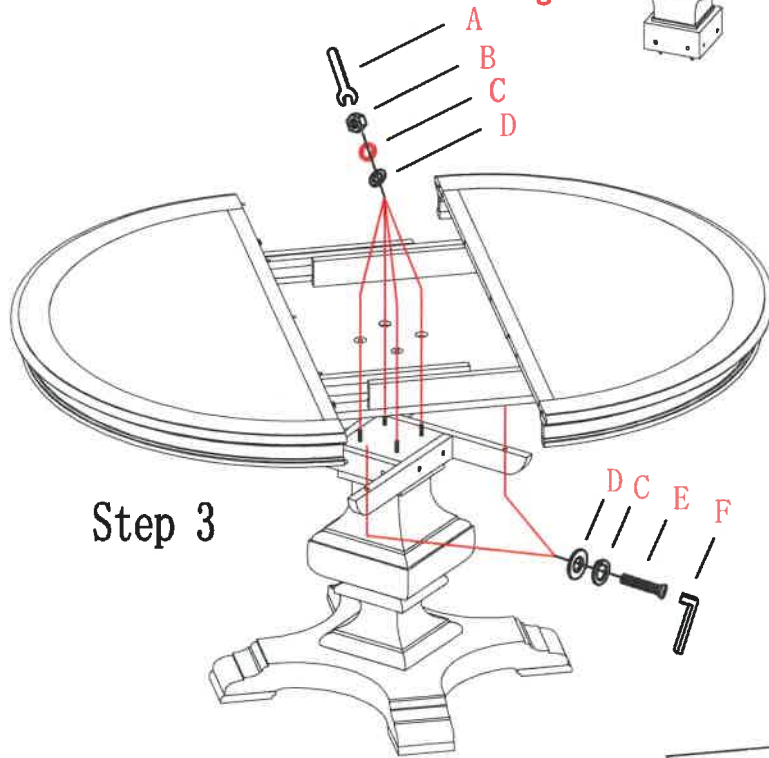
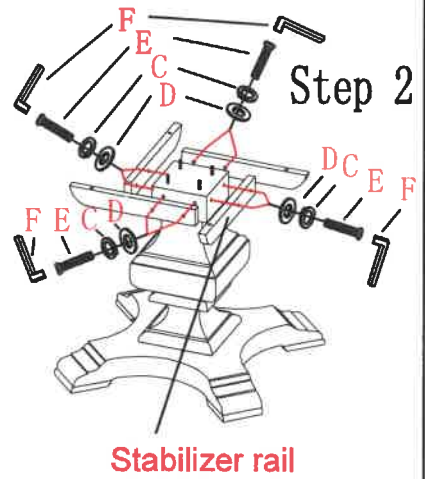
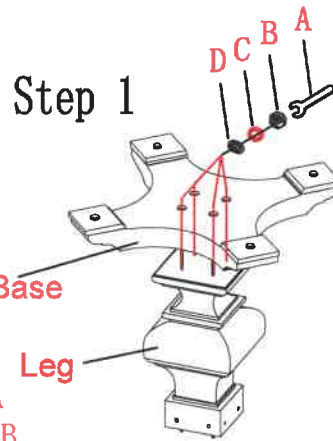
HEKMAN

ASSEMBLY INSTRUCTIONS

23321- Round Dining Table

A HOWARD MILLER COMPANY

A		5/16	1Pc
B		5/16	8Pcs
C		5/16	20Pcs
D		5/16*19mm	20Pcs
E		5/16*44mm	12Pcs
F		5mm	1Pc



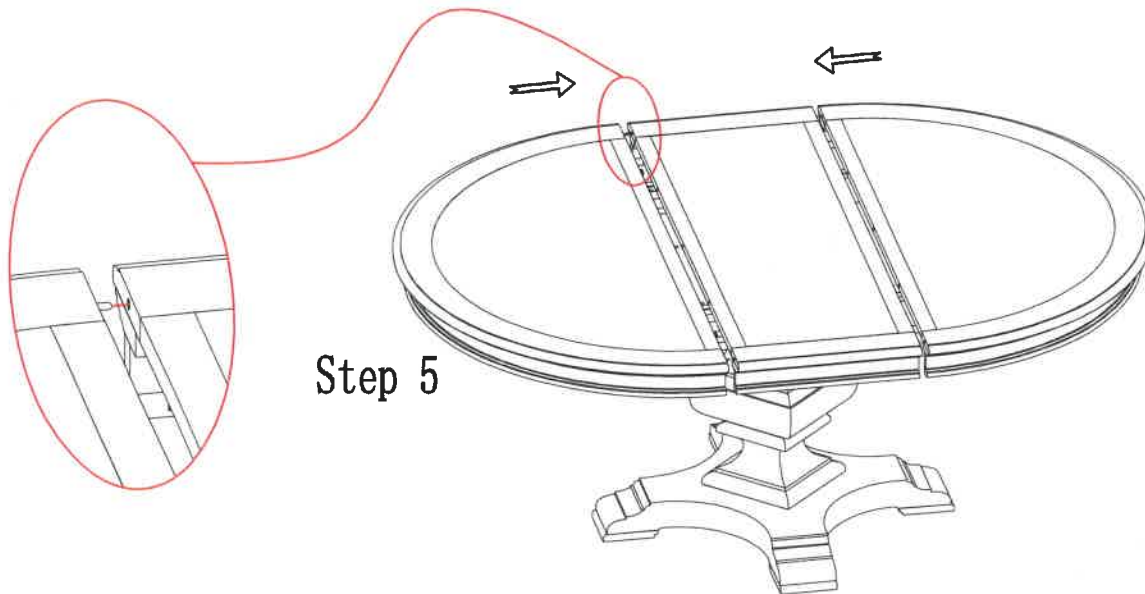
MADE IN VIETNAM

HEKMAN

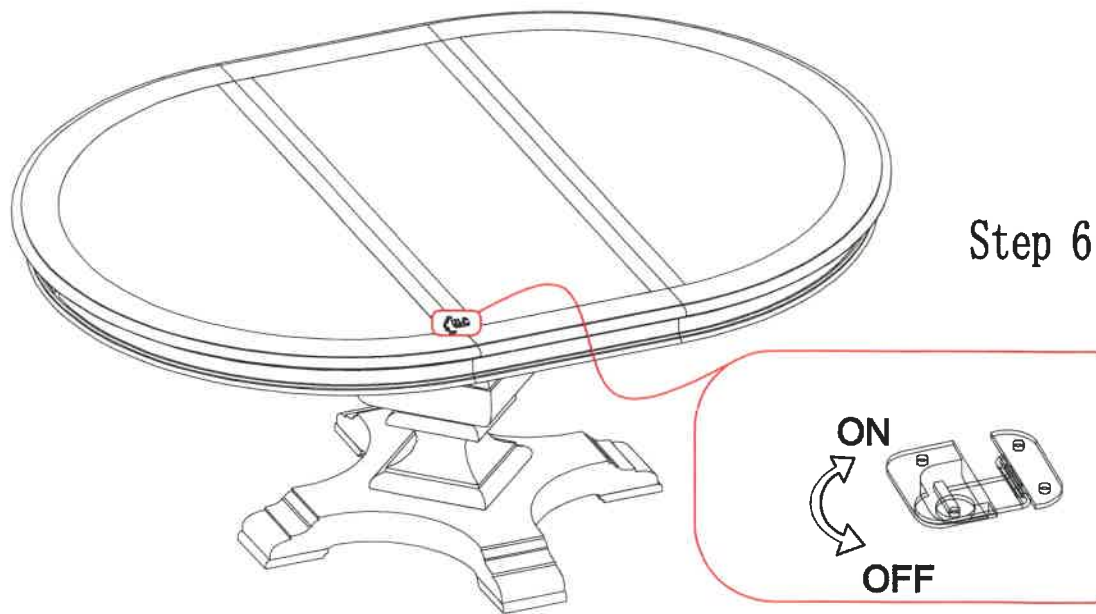
A HOWARD MILLER COMPANY

ASSEMBLY INSTRUCTIONS

23321- Round Dining Table



Step 5



Step 6

Step 1: Turn post upside down and attach base also upside down with Nut (B), Lock washer (D) and Washer (C), using Wrench (A).

Step 2: Set base and post assembly upright and attach stabilizer rails with Bolt (E), Lock washer (D) and Washer (C), using Allen Wrench (F).

Step 3: Open top assembly by unlocking the latches on bottom side at top panel. Set the open top assembly on the base assembly and attach with Nut (B), Lock washer (D) and Washer (C), using Wrench (A)

Step 4 + Step 5 + Step 6: Install the leaf lining up the table top aligning hardware. Push table top halves together and lock the latches on bottom of table top panel.

MADE IN VIETNAM