



Location:



4501-TRM, 4501TRMTC

Shower Trim

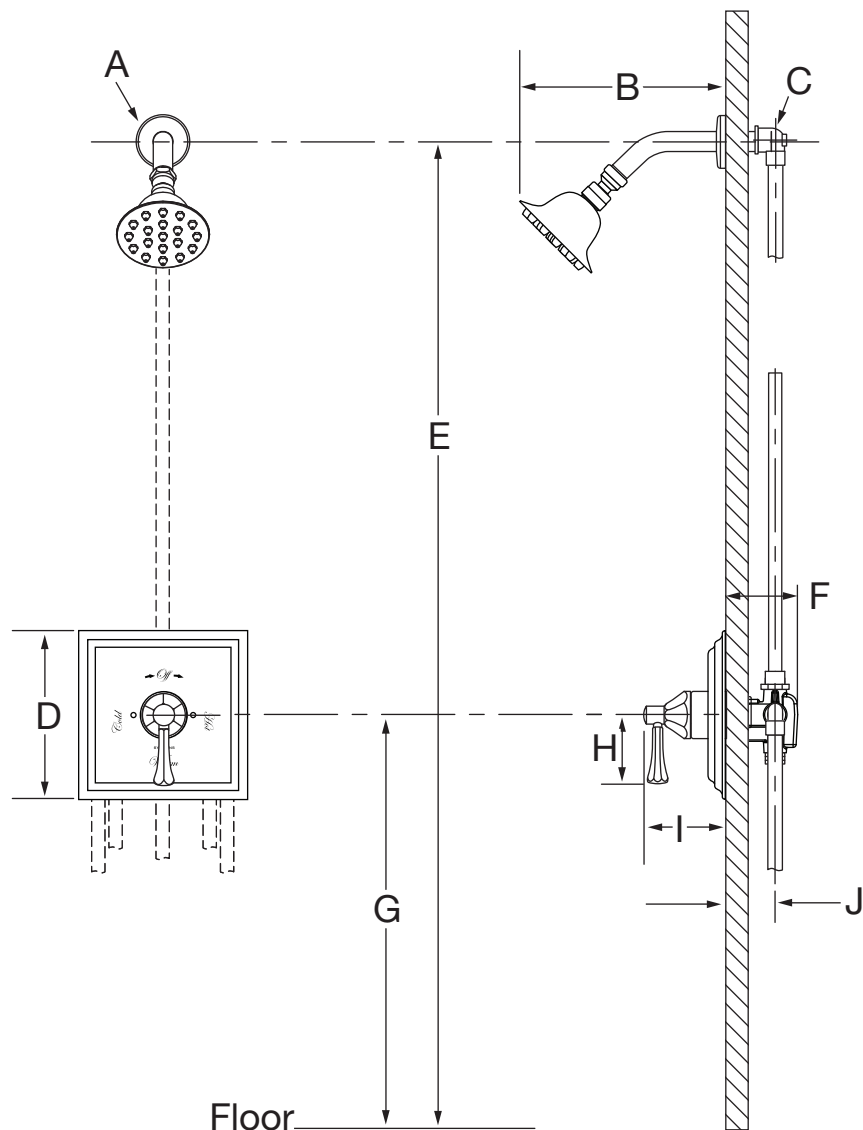
Specification Submittal

<p>Model Numbers</p> <p><input type="checkbox"/> 4501-TRM Shower Trim, Temptrol Pressure Balancing Shower Valve ordered separately</p> <p><input type="checkbox"/> 4501TRMTC Shower Trim with TA-10 flow control spindle and T-12A cap assembly, must order Temptrol valve with Test Cap</p>	<p>Feature Highlights</p> <ul style="list-style-type: none"> • Canterbury Shower Trim • Requires Temptrol® Pressure Balancing Shower Valve • Metal lever handle • 1 mode showerhead • 2.0 gpm (7.6 L/min) flow restrictor • Tub spout not included • Components shall be metal and nonmetallic construction, plated in standard Polished Chrome finish • Available with TA-10 flow control spindle and T-12A cap assembly for Temptrol valve bodies installed with Test Cap (order p/n 4501TRMTC)
<p>Options/ Modifications</p> <p><input type="checkbox"/> 1.5 1.5 gpm (5.7 L/min) flow restrictor</p> <p><input type="checkbox"/> STN Satin Nickel finish</p> <p><input type="checkbox"/> L1 Less showerhead</p> <p><input type="checkbox"/> L7 Less handle</p>	<p>Warranty</p> <p>Limited Lifetime - to the original end purchaser in consumer/residential installations.</p> <p>10 Years - for commercial/industrial installations. Refer to www.symmons.com/warranty for complete warranty information.</p> 
<p>Note: Append appropriate -suffix to model number.</p>	
<p>Compliance</p> <p>- ASME A112.18.1/CSA B125.1</p> 	

Architectural/ Engineering Specification

Symmons Canterbury Shower Trim _____ Includes Canterbury Shower Trim, Requires Temptrol® Pressure Balancing Shower Valve, Metal lever handle, 1 mode showerhead, 2.0 gpm (7.6 L/min) flow restrictor, Tub spout not included, Components shall be metal and nonmetallic construction, plated in standard Polished Chrome finish Available with TA-10 flow control spindle and T-12A cap assembly for Temptrol valve bodies installed with Test Cap (order p/n 4501TRMTC). 10 Year Commercial Warranty. ASME A112.18.1/CSA B125.1 compliant. Available options: "1.5 - 1.5 gpm (5.7 L/min) flow restrictor", "STN - Satin Nickel finish", "L1 - Less showerhead", "L7 - Less handle".

Dimensions



Measurements	
A	Ø 2-1/4", 57 mm
B	8-1/2", 216 mm
C	Male 1/2" NPT thread must be recessed 1/4" from finished wall
D	7-1/2", 191 mm
E	Reference 77", 1956 mm
F	3-1/2", 89 mm
G	Reference 45", 1143 mm
H	2-13/16", 71 mm
I	3-1/16", 78 mm
J	(Rough-in) 2" ± 1/2", 51 mm ± 13 mm

Notes:

- 1) Valve body and piping not included and shown as reference only.
- 2) Plaster shield (p/n T-176) for dry wall, plaster or other type walls 1/2" or greater.
- 3) All dimensions measured from nominal rough-in (see J as reference).
- 4) Dimensions subject to change without notice.