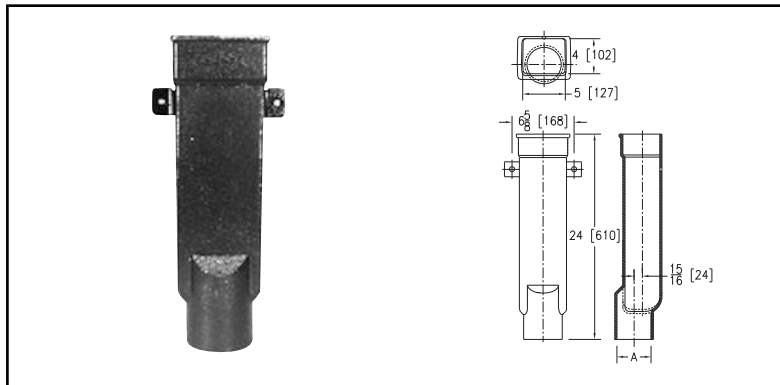


**Z191 5" x 4" x 24" [127 mm x 102 mm x 610 mm] DOWNSPOUT BOOT**



Dimensions in Inches [mm]			Approx. Wt. Lbs. [Kg]
Product Designation	Size	A Pipe Size	
-24	5 x 4 x 24 [127 x 102 x 610]	4 [102]	30 [14]

**ENGINEERING SPECIFICATION:** ZURN Z191 5" x 4" x 24" [127 mm x 102 mm x 610 mm] Downspout Boot, Dura-Coated cast iron body and strap with 1/4" [6 mm] diameter cast holes for flat head bolts.

**OPTIONS**

**CONNECTION** (Specify pipe size in inches and type of outlet.)

CONNECTION TYPE	CONNECTION DESIGNATION Pipe Size/Outlet Type
No-Hub	4NH

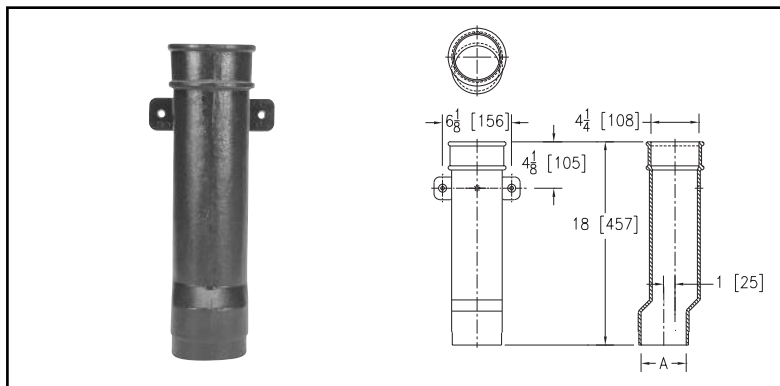
**PREFIXES**

Z D.C.C.I. Body\*

**SUFFIXES**

- G Galvanized Cast Iron
- RD Round Inlet and Outlet

**Z191-RD 4" x 18" [102 mm x 457 mm] DOWNSPOUT BOOT**



Dimensions in Inches [mm]			Approx. Wt. Lbs. [Kg]
Product Designation	Size	A Pipe Size	
Z191-RD	4 x 18 [102 x 457]	4 [102]	20 [9]

**ENGINEERING SPECIFICATION:** ZURN Z191-RD Downspout Boot, Dura-Coated cast iron body, round inlet and outlet, and strap with 1/4" [6 mm] diameter cast holes for flat-head bolts.

**OPTIONS**

**CONNECTION** (Specify pipe size in inches and type of outlet.)

CONNECTION TYPE	CONNECTION DESIGNATION Pipe Size/Outlet Type
No-Hub	4NH

**PREFIXES** (See chart for pricing)

Z D.C.C.I. Body\*

**SUFFIXES**

- G Galvanized Cast Iron

\*Regularly furnished unless otherwise specified.