

**SAFETY INFORMATION**

Please read and understand this entire manual before attempting to assemble, install or operate the product.

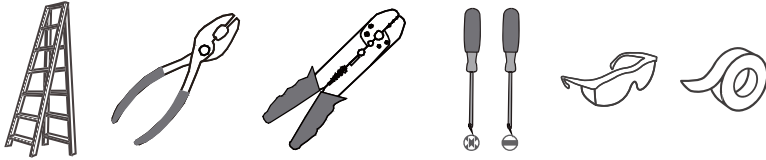
**WARNING**

- RISK OF ELECTRIC SHOCK - Before beginning installation, turn off electricity at the circuit breaker box or the main fuse box.
- RISK OF FIRE - Use bulbs specified by the markings and/or labels on the fixture.
- Use ONLY LED bulbs in this fixture. Incandescent and halogen lamps may cause severe thermal damage.

**CAUTION**

- For your safety, read instructions completely before beginning installation.
- If in doubt about electrical installation, consult a licensed electrician.
- Turn off electricity to fixture before replacing the bulb(s).

**TOOLS REQUIRED**

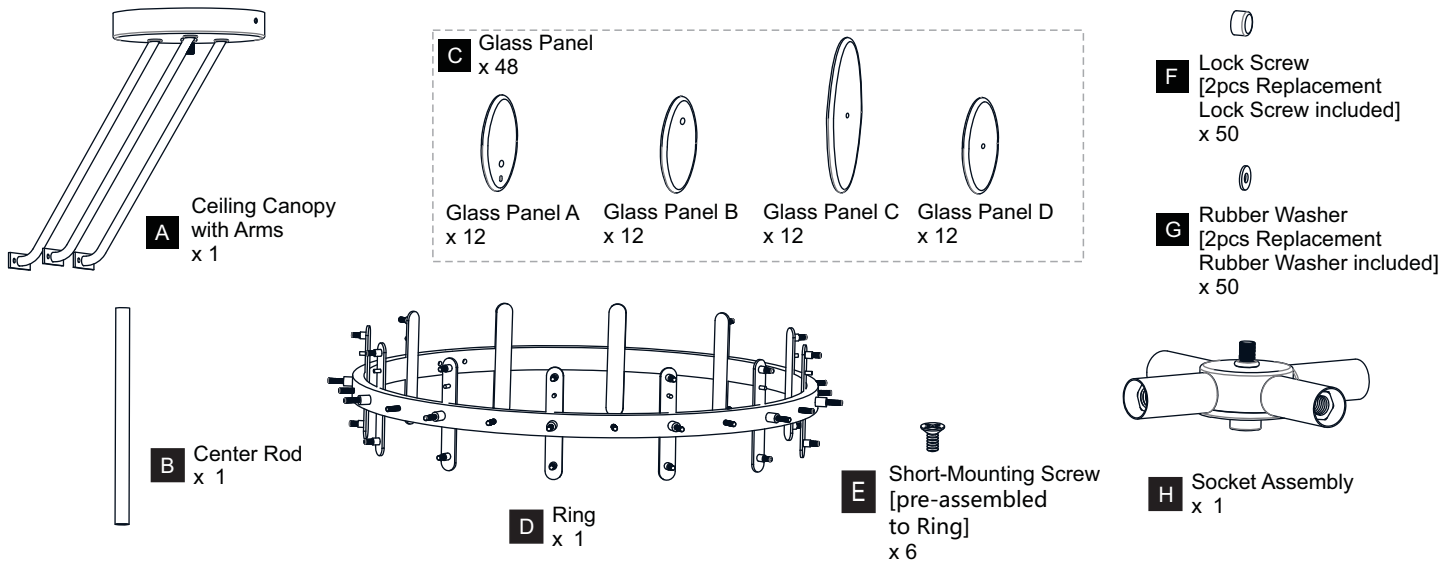


**CARE AND MAINTENANCE**

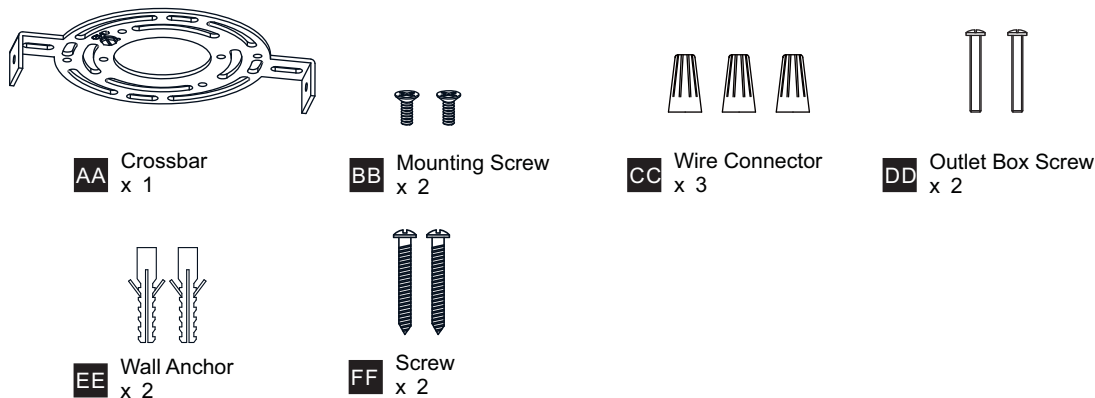
- Wipe clean using soft, dry cloth or static duster. Always avoid using harsh chemicals and abrasives to clean fixture as they may damage the finish.

If you need further assistance call Quozel Customer Care at 1-800-645-3184 (9:00am - 5:00pm EST), or visit us on-line at [www.quozel.com](http://www.quozel.com).

**PACKAGE CONTENTS**

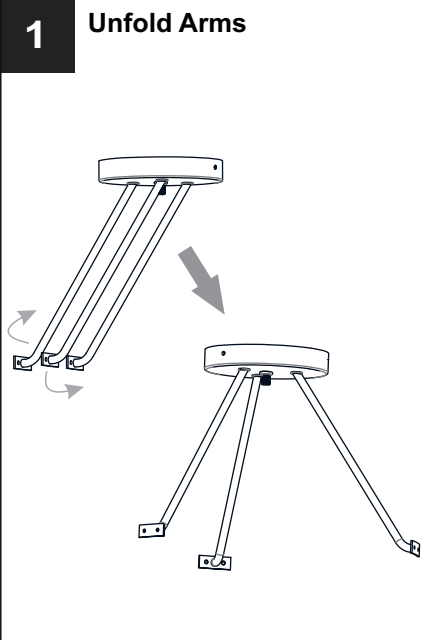


**MOUNTING HARDWARE**

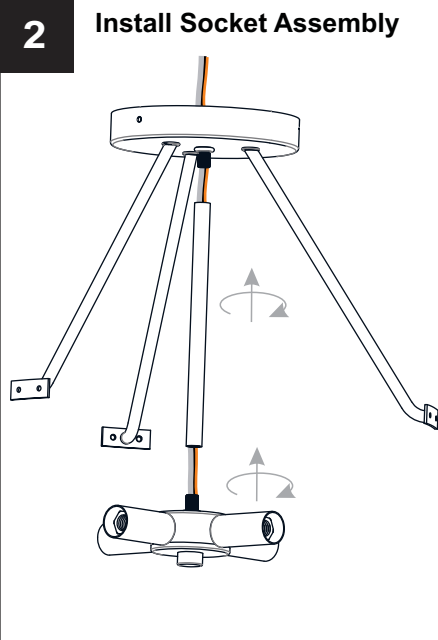


# INSTALLATION

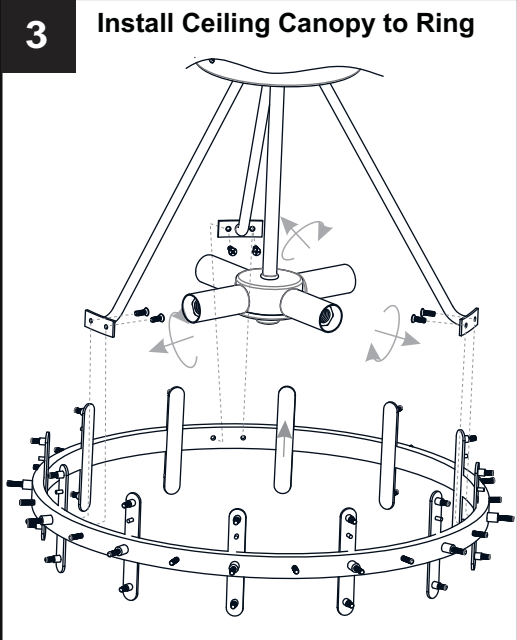
**1 Unfold Arms**



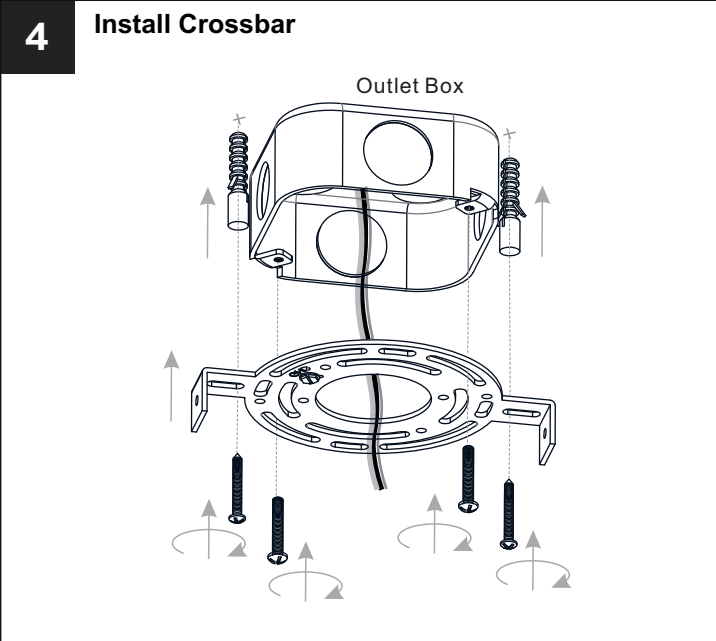
**2 Install Socket Assembly**



**3 Install Ceiling Canopy to Ring**

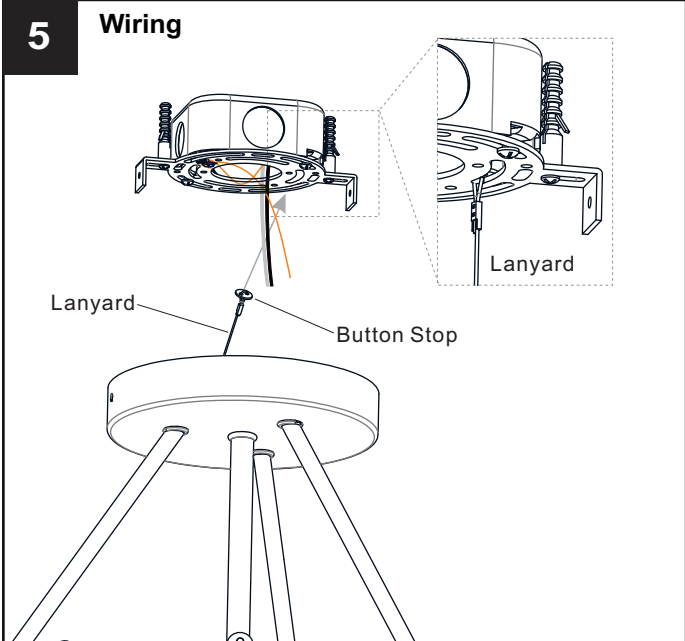


**4 Install Crossbar**



Outlet Box

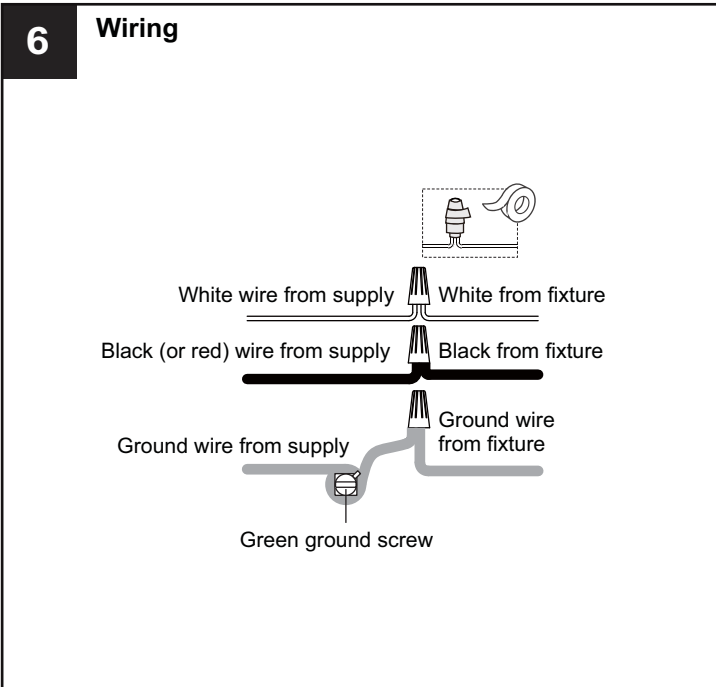
**5 Wiring**



Lanyard

Button Stop

**6 Wiring**



White wire from supply

Black (or red) wire from supply

Ground wire from supply

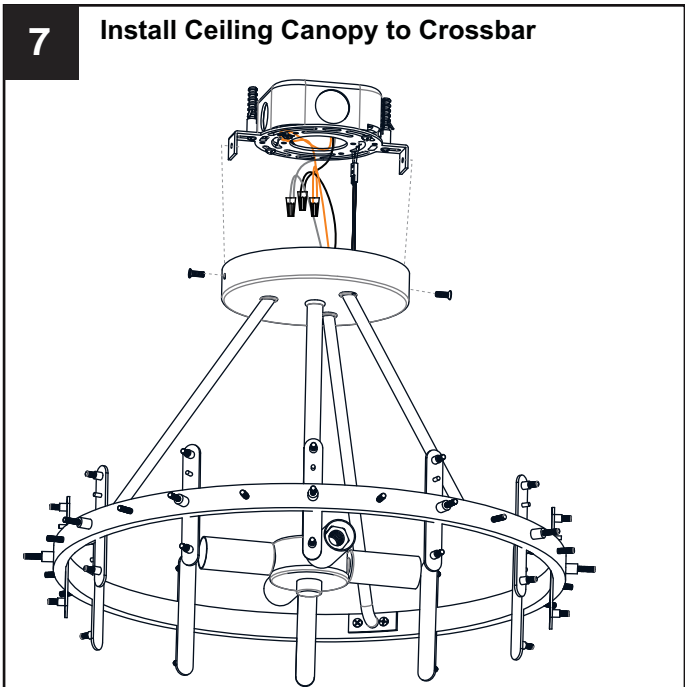
White from fixture

Black from fixture

Ground wire from fixture

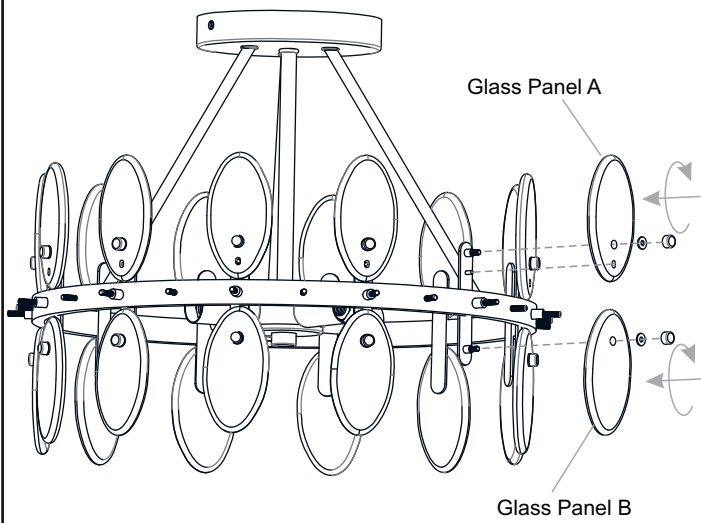
Green ground screw

**7 Install Ceiling Canopy to Crossbar**

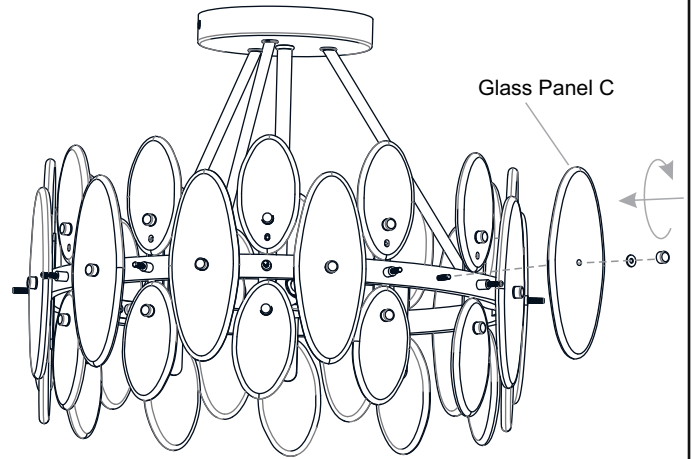


# INSTALLATION

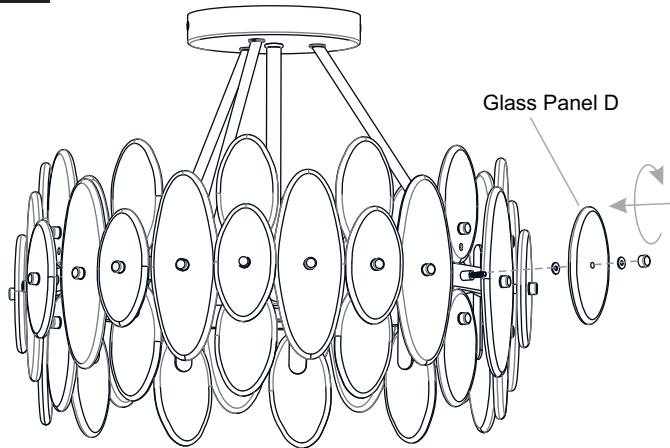
## 8 Install Glass Panel A and Glass Panel B



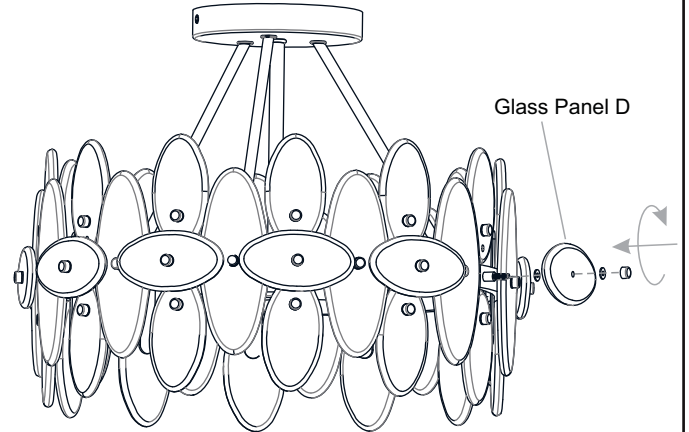
## 9 Install Glass Panel C



## 10 Install Glass Panel D



Installation Option 1



Installation Option 2

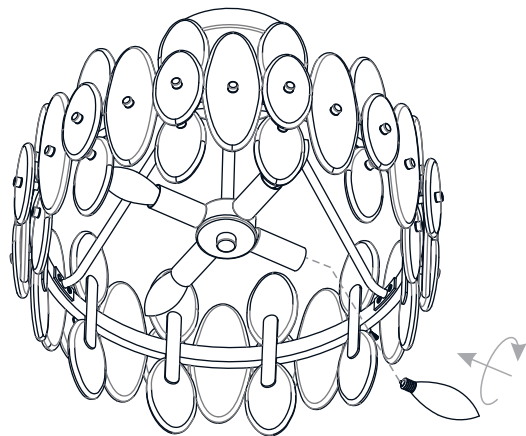
## 11 Install Bulbs

Install four correct bulbs referring to fixture markings and/or labels for maximum wattage.

**Recommended Bulb Type (not included):**

  
BULB BASE TYPE  
Candelabra (E12)

  
15W  
BULB SHAPE  
TYPE B  
LED ONLY



**Your installation is now complete! Restore electricity and save this sheet for future reference.**