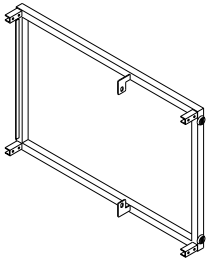
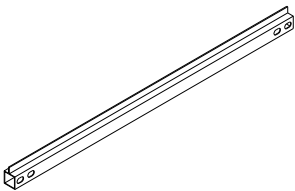
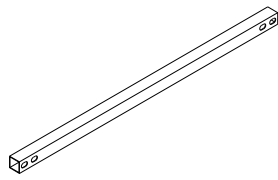
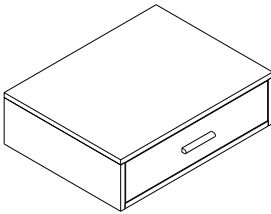
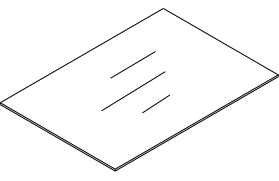
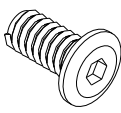


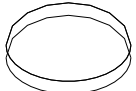
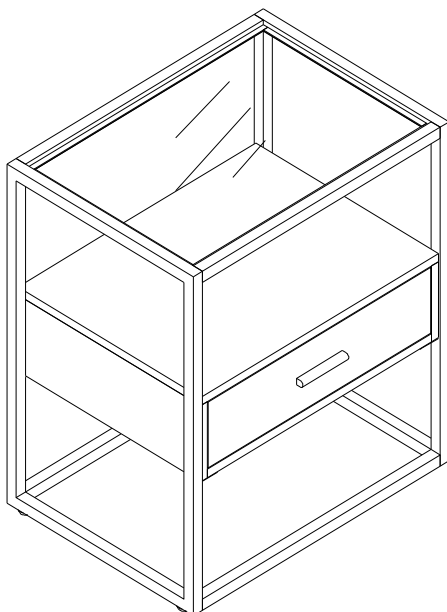


# ASSEMBLY INSTRUCTION

## 1-DRAWER END TABLE

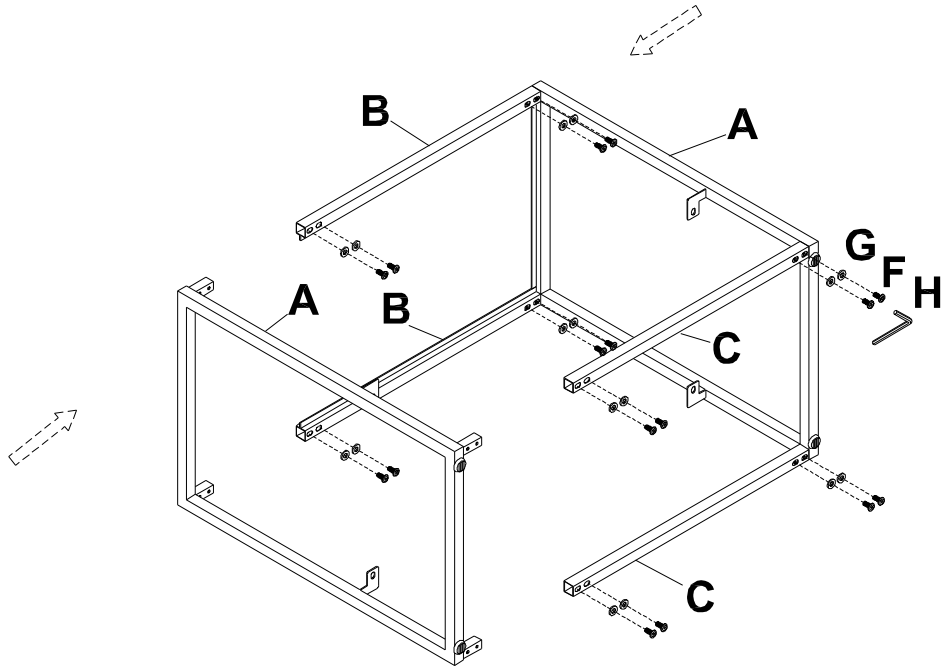
<b>A</b> Side Frame  2pcs	<b>B</b> Top Crossbar  2pcs	<b>C</b> Bottom Crossbar  2pcs
<b>D</b> Drawer  1pc	<b>E</b> Top Glass  1pc	<b>F</b> Bolt 1/4" X 15mm  20pcs
<b>G</b> Washer Φ16mm  20pcs	<b>H</b> Allen Wrench 1/4"  1pc	<b>I</b> Pad 10mm  4pcs



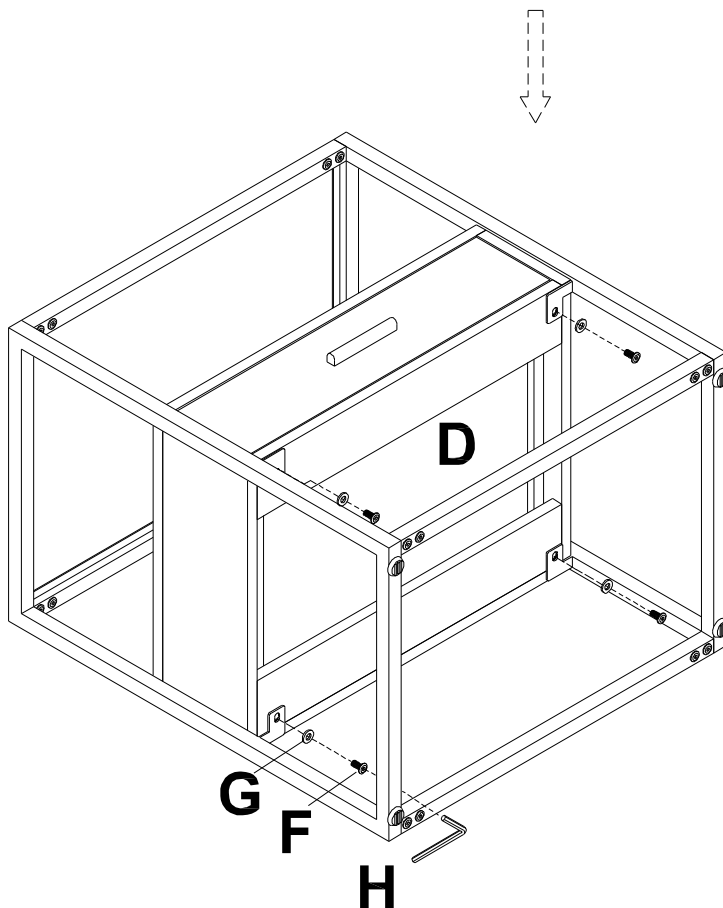
This page lists all the contents included in the box. Please take the time to identify the hardware as well as the individual components to this product. As you unpack and prepare for assembly, place the contents on a carpeted or padded area to protect them from damage.

**\*\*\* Do not tighten screws & bolts until the entire unit is completely assembled.**

- 1** Attach Top Crossbar (B) and Bottom Crossbar (C) to Side Frame (A) by Bolt (F) and Washer (G) with Allen Wrench (H) as shown.



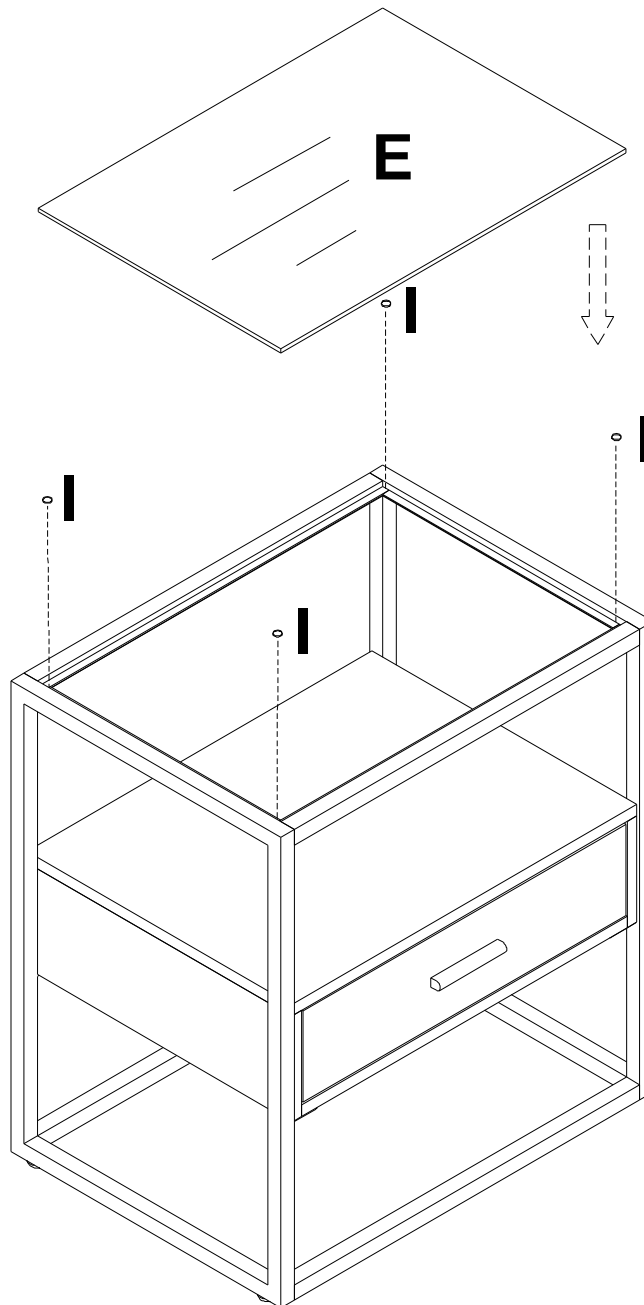
- 2** Attach Drawer (D) to the assembled unit by Bolt (F) and Washer (G) with Allen Wrench (H) as shown.



---

**3**

Attach Pad (I) to Top Frame. Then place Top Glass (E) as shown.



---

### Cleaning & Care

Treat surfaces with care. Surfaces are resistant to scratches but are not scratch resistant. Clean surfaces with a dry or damp soft cloth. Do not use abrasive cleaners. Hardware may loosen over time. Periodically check that all connections are tight.