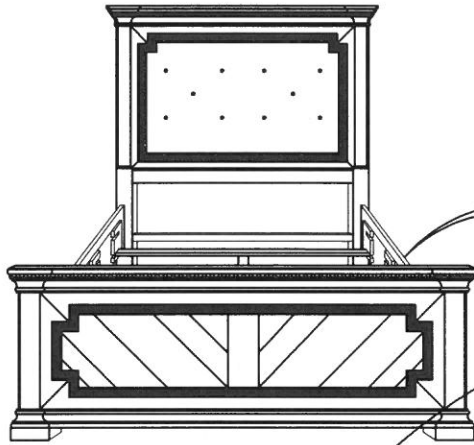


HEKMAN®

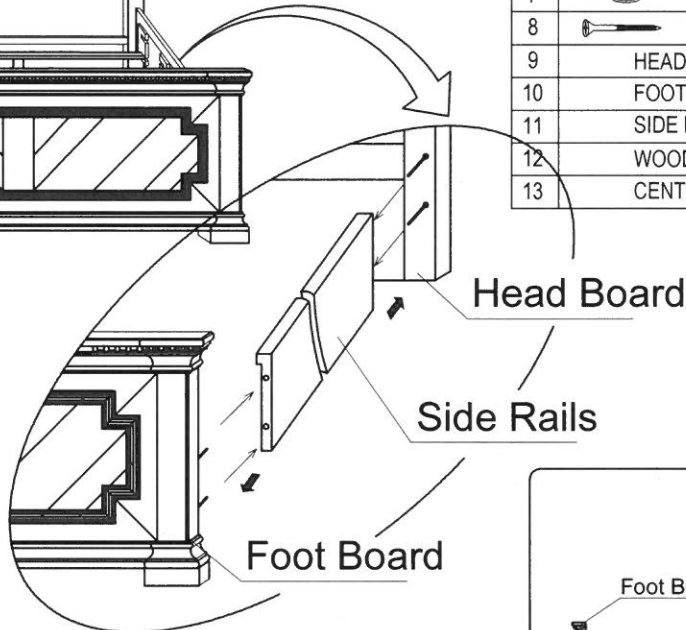
A HOWARD MILLER COMPANY
Grand Rapids, Michigan

ASSEMBLY INSTRUCTION

#19270 QUEEN UPHOLSTERED PANEL BED



No.	PARTS	DESCRIPTION	QTY
1		HANGER BOLT	8 Pcs
2		FLAT WASHER	8 Pcs
3		NUT	8 Pcs
4		WRENCH	1 Pc
5		JCBC 6x40	4 Pcs
6		ALLEN KEY	1 Pc
7		FLAT WASHER	4 Pcs
8		SCREW	8 Pcs
9		HEADBOARD	1 Unit
10		FOOTBOARD	1 Unit
11		SIDE RAIL	2 Unit
12		WOODEN SLAT	4 Pcs
13		CENTER SUPPORT	4 Pcs



DETAIL :

