



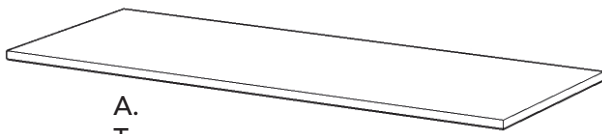
IMPORTANT

Carefully remove all the parts from the carton and place them individually on a soft cloth to prevent scratches or other damage.

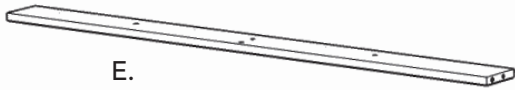
Carefully and strictly follow these assembly instructions to ensure a completed product as designed.

Do not use power tools above 8 volts to assemble.

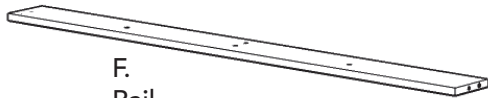
Part List



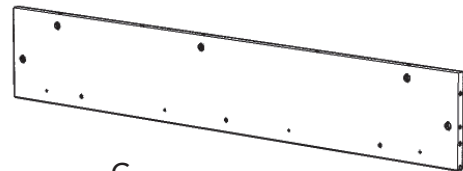
A.
Top
1 pc.



E.
Rail
1 pc.



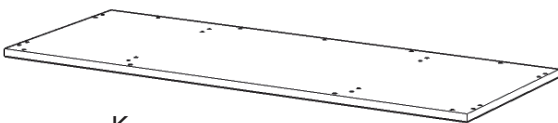
F.
Rail
1 pc.



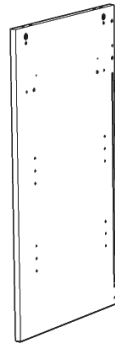
G.
Back Rail
1 pc.



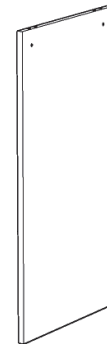
H.
Back Rail
1 pc.



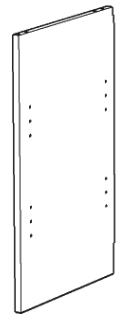
K.
Base
1 pc.



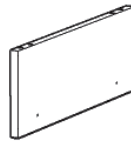
B.
Side Panel
1 pc.



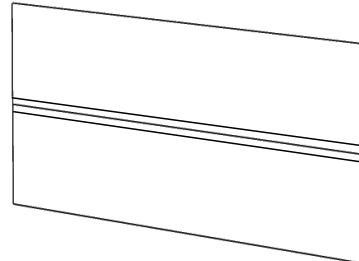
C.
Side Panel
1 pc.



D.
Middle Panel
2 pcs.



I.
Divider
1 pc.



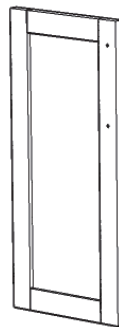
J.
Back Panel
1 pc.



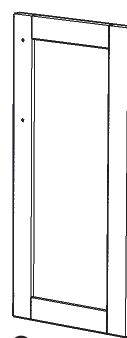
L.
Shelf
4 pcs.



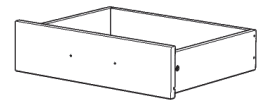
M.
Shelf
2 pcs.



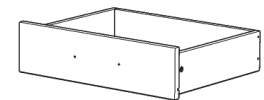
N.
Door
2 pcs.



O.
Door
2 pcs.



P.
Drawer
1 pc.



Q.
Drawer
1 pc.

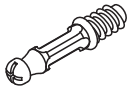
Refer to later page(s) of these instructions for drawer assembly.

Tool(s) required for assembly: Phillips screwdriver

Home Styles Customer Service: www.homestyles-furniture.com,
 servicedesk@homestyles-furniture.com, 888-680-7460, 877-831-0319

Assembly Instructions 2/11

Hardware List



Cam Lock Screw
29 pcs. (+4 extra)



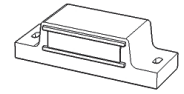
Cam Lock
29 pcs. (+4 extra)



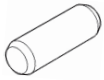
M7x10
Varianta Screw
8 pcs. (+1 extra)



M3.5x12
Magnet Screw
8 pcs. (+1 extra)



Magnet
4 pcs.



Dowel
49 pcs. (+1 extra)



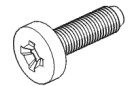
Cover
25 pcs. (+4 extra)



M7x50
Assembly Screw
17 pcs. (+1 extra)



M4x16
Caster Screw
24 pcs. (+1 extra)



M6x25
Head Cap Bolt
4 pcs. (+1 extra)



M3.5x12
Wood Screw
24 pcs. (+1 extra)



M3.5x50
Flat Head Screw
8 pcs. (+1 extra)



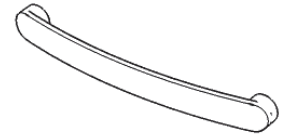
M3.5x19
Plastic Clip Screw
8 pcs. (+1 extra)



Plastic Clip
8 pcs. (+1 extra)



M4x22
Machine Screw
12 pcs.



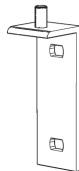
Handle
6 pcs.



Adjustable Pin
24 pcs. (+1 extra)



Pin
8 pcs.



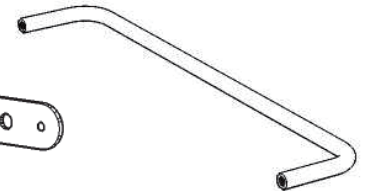
Hinge
8 pcs.



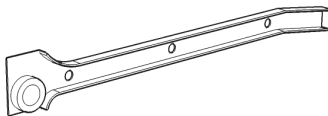
M3x12
Plate Screw
4 pcs. (+1 extra)



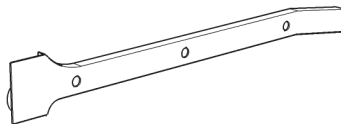
Plate
4 pcs.



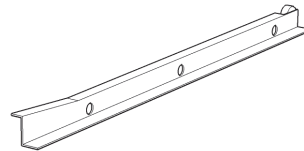
Side Bar
2 pcs.



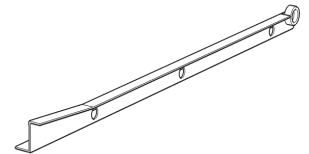
Left Guide
2 pcs.



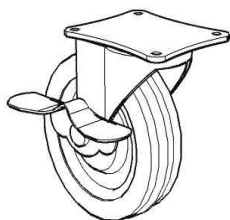
Right Guide
2 pcs.



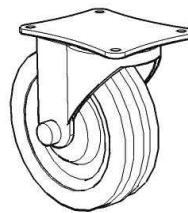
Left Runner
2 pcs.



Right Runner
2 pcs.



Locking
Caster
2 pcs.

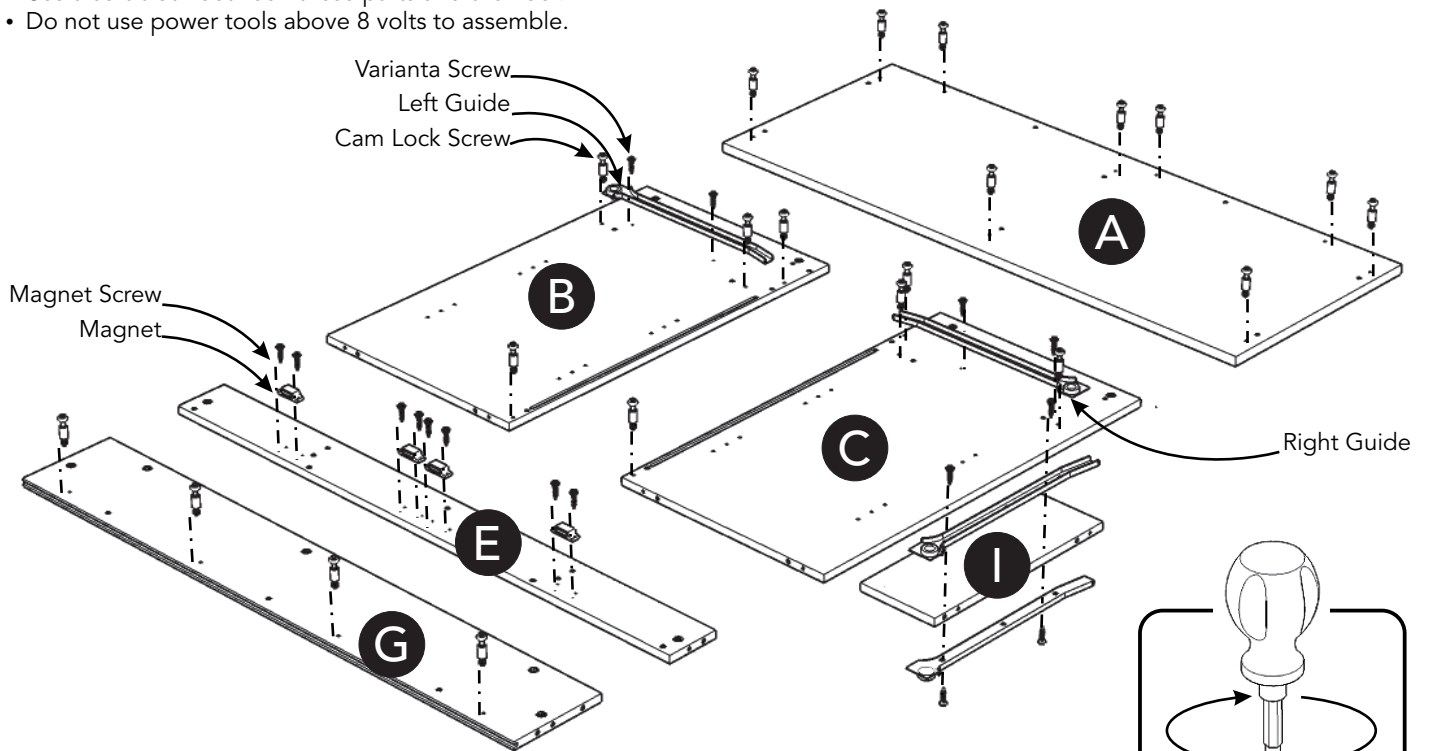


Non-Locking
Caster
4 pcs.

Assembly Instructions 3/11

IMPORTANT

- Use a soft cloth between these parts and the floor.
- Do not use power tools above 8 volts to assemble.



STEP 1

Insert Cam Lock Screws into pre-drilled in Top (A), Side Panels (B), (C) and Back Rail (G), then tighten. (See Figure 1)

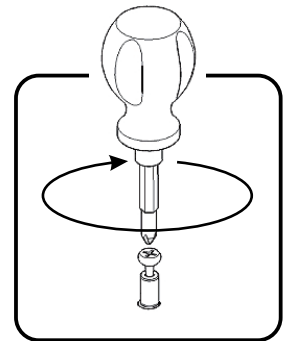


Figure 1

Attach Left Guide to Side Panel (B) and Right Guide to Side Panel (C) with Varianta Screws. (See Figure 2)

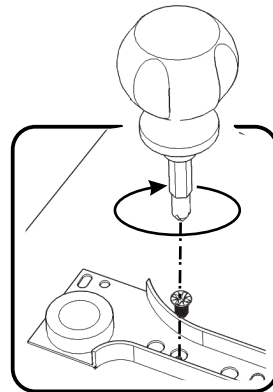


Figure 2

Attach Left Guide and Right Guide to Divider (I) with Varianta Screws.

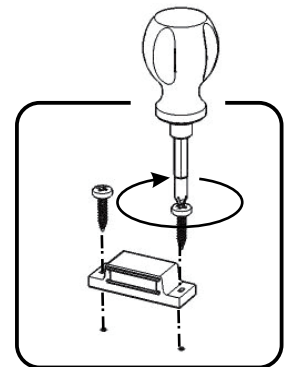


Figure 3

Attach Magnets to Rail (E) with Magnet Screws into pre-drilled holes. (See Figure 3)

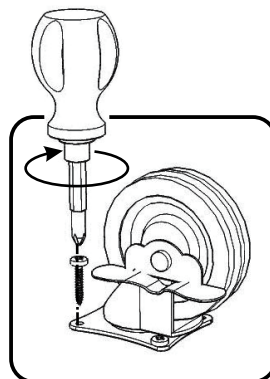
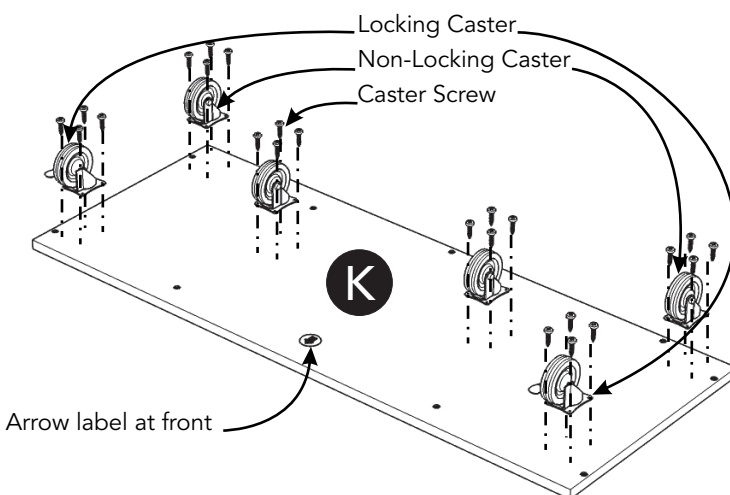


Figure 4

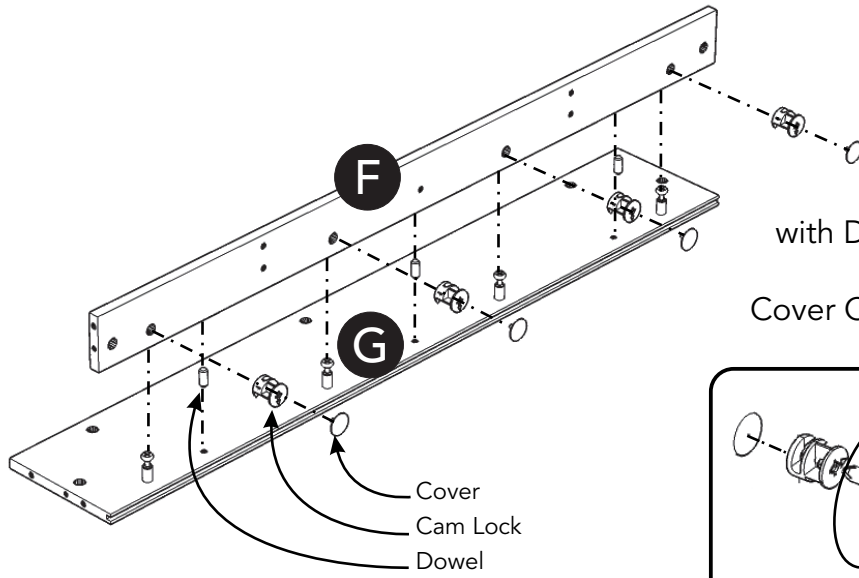
STEP 2

Attach Casters to Base (K) with Caster Screws into pre-drilled holes, with Locking Casters at front. (See Figure 4)

Note: Arrow label indicates front of unit.

Assembly Instructions 4/11

STEP 3



Attach Rail (F) to Back Rail (G) with Dowels and Cam Locks. (See Figure 4)

Cover Cam Locks with Covers. (See Figure 5)

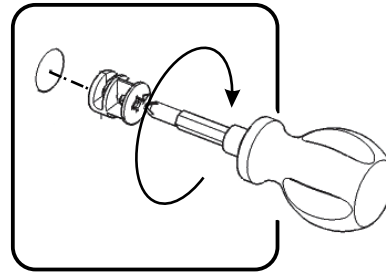


Figure 5

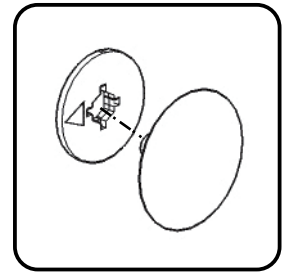
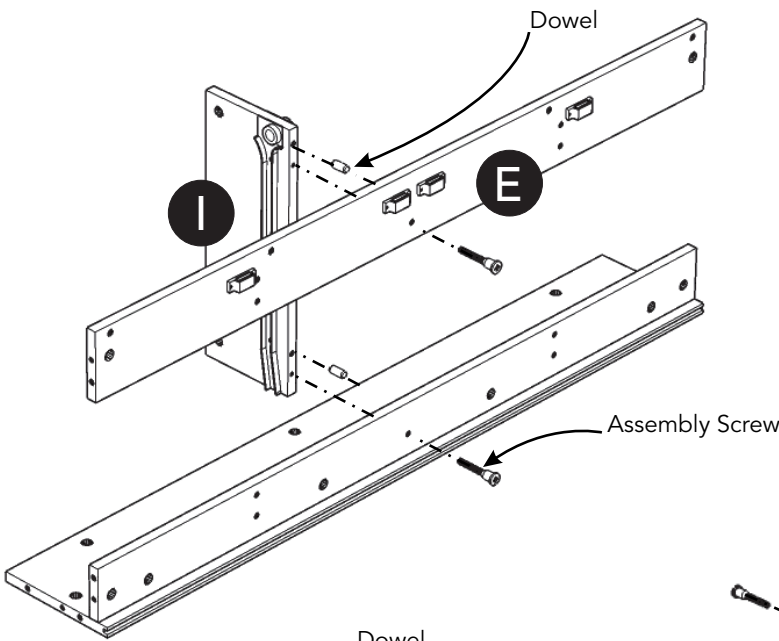


Figure 6

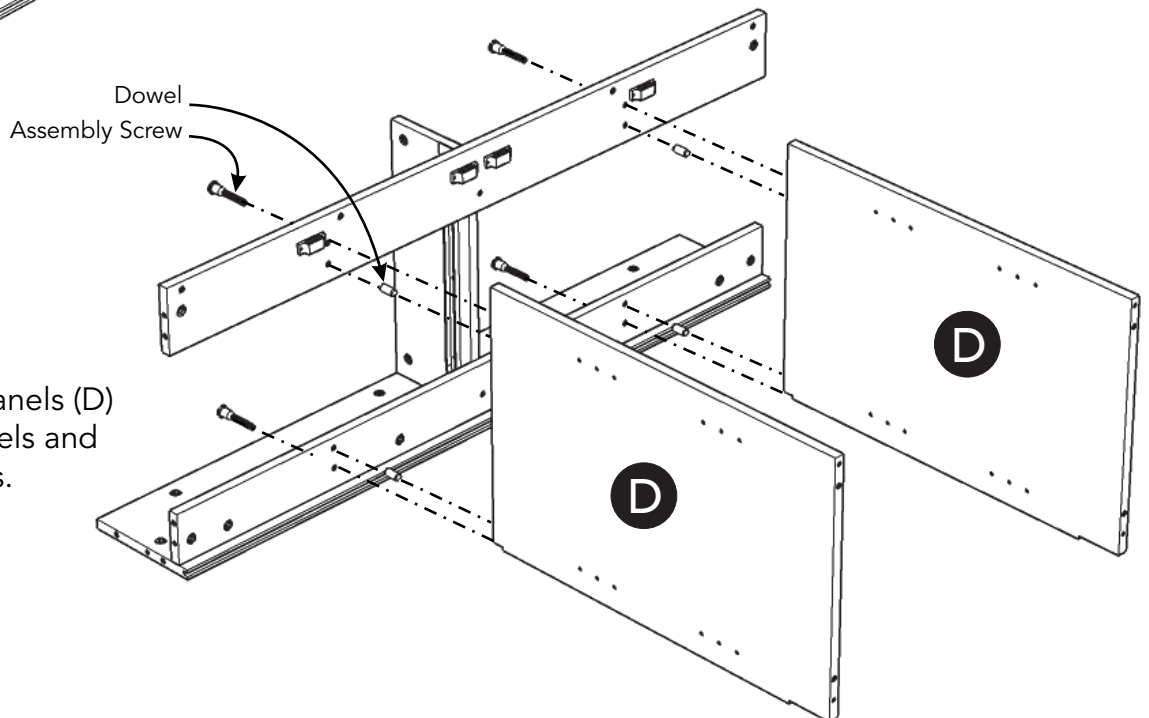


STEP 4

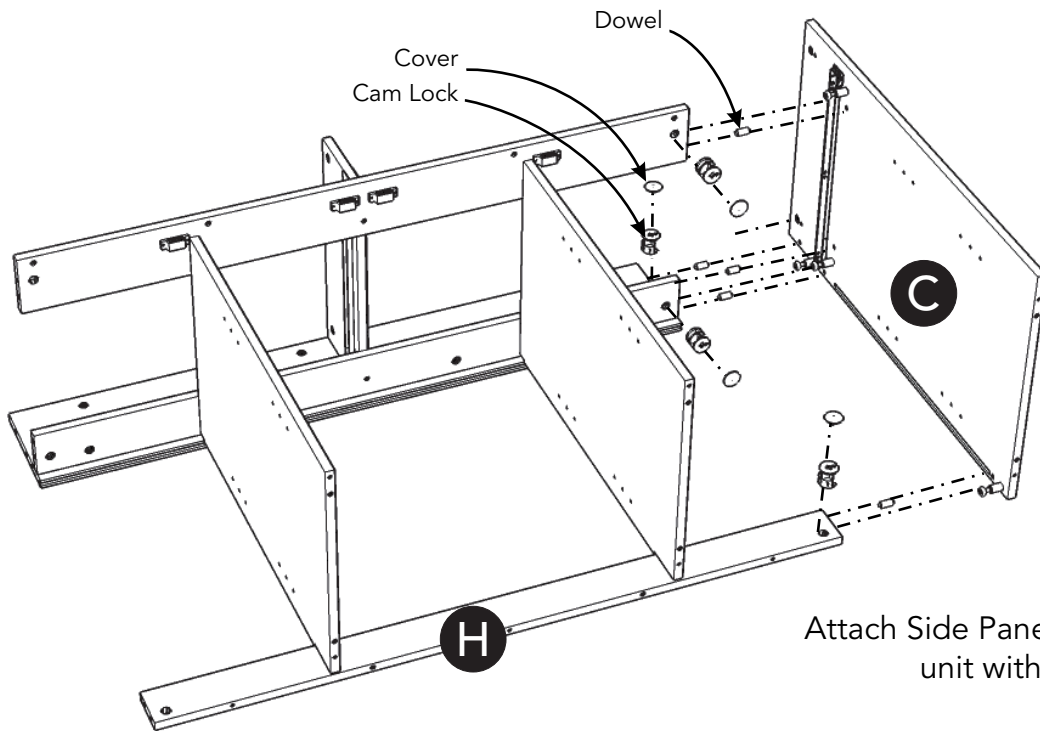
Attach Rail (E) and unit from Step 2 to Divider (I) with Dowels and Assembly Screws.

STEP 5

Attach Middle Panels (D) to unit with Dowels and Assembly Screws.



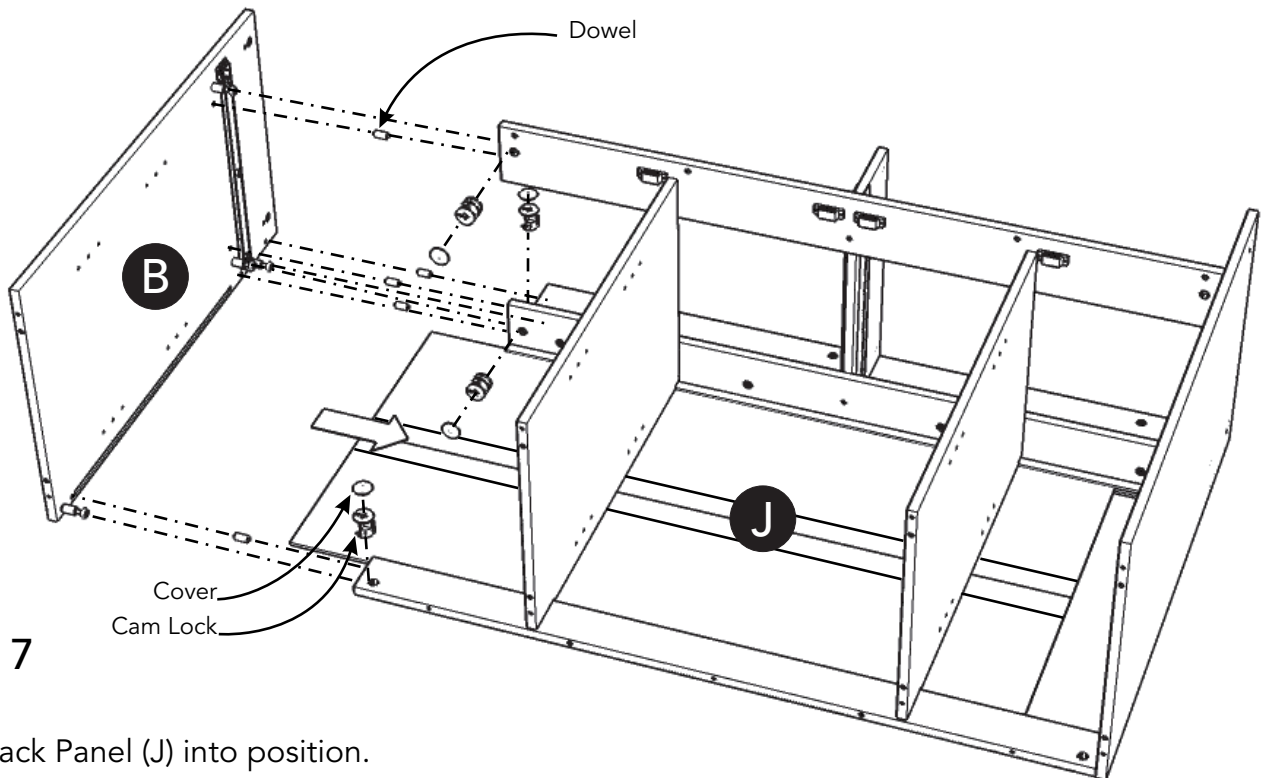
Assembly Instructions 5/11



STEP 6

Attach Side Panel (C) and Back Rail (H) to unit with Dowels and Cam Locks.

Cover Cam Locks with Covers.



STEP 7

Slide Back Panel (J) into position.

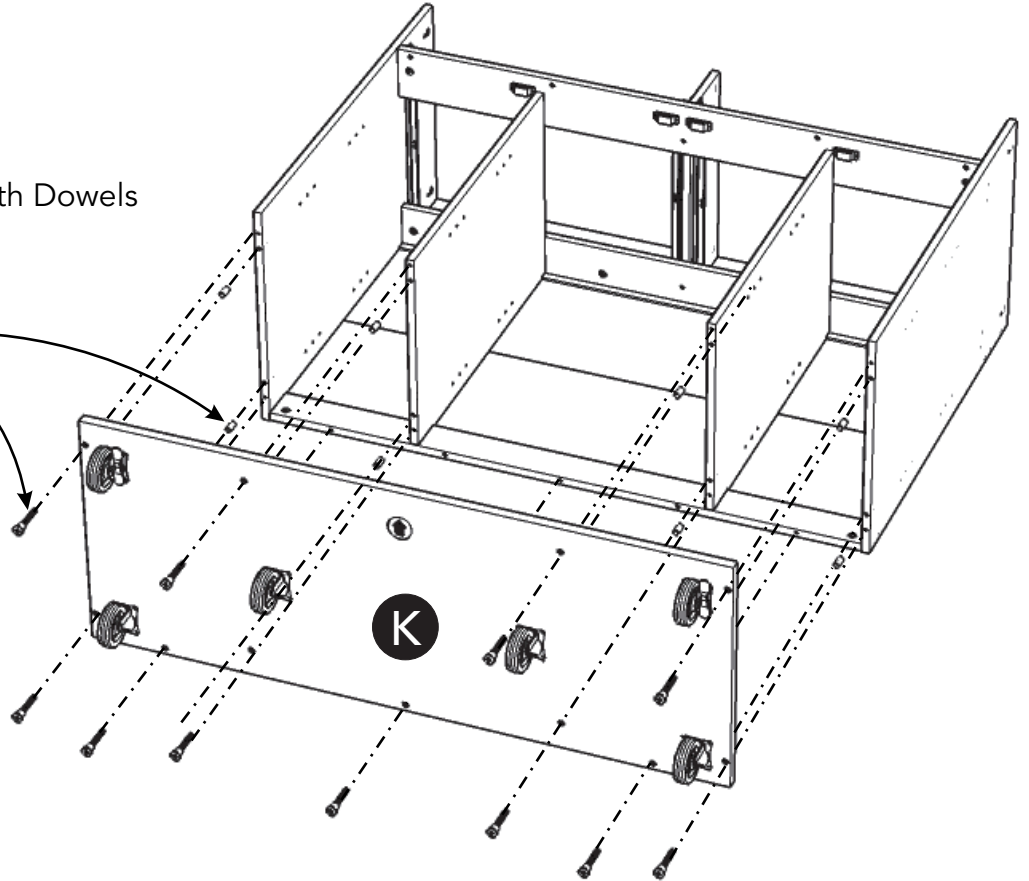
Attach Side Panel (B) to unit with Dowels and Cam Locks.

Cover Cam Locks with Covers.

STEP 8

Attach Base (K) to unit with Dowels and Assembly Screws.

Dowel
Assembly Screw



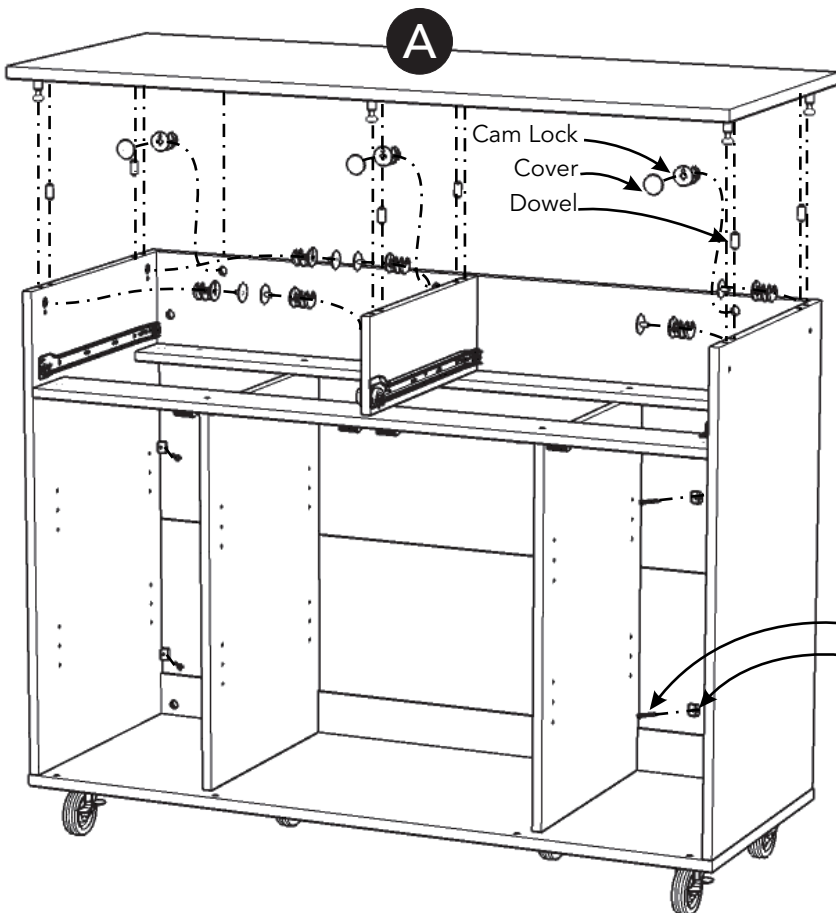
STEP 9

Turn unit to its upright position.

Attach Top (A) to unit with Dowels and Cam Locks.

Cover Cam Locks with Covers.

Attach Plastic Clips to unit with Plastic Clip Screws. (See Figure 7)



Plastic Clip Screw
Plastic Clip

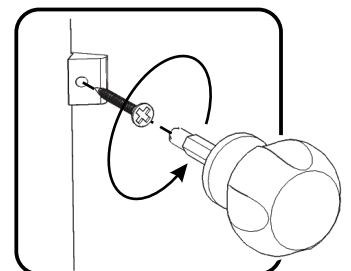
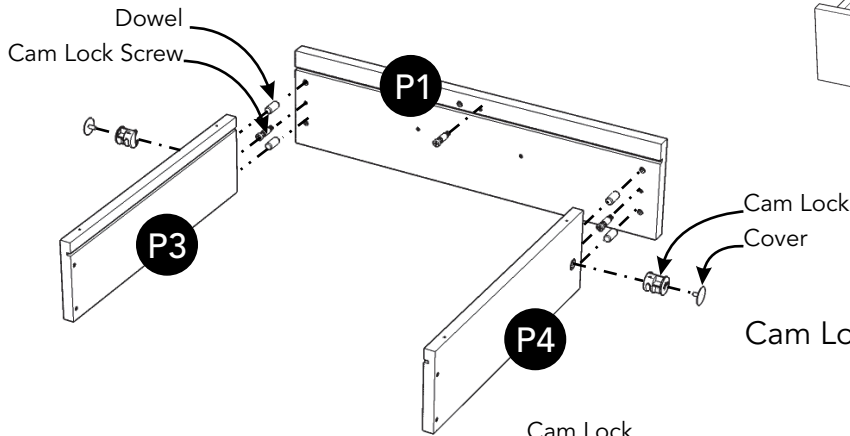


Figure 7

Assembly Instructions 7/11

Drawer (P)



STEP 10

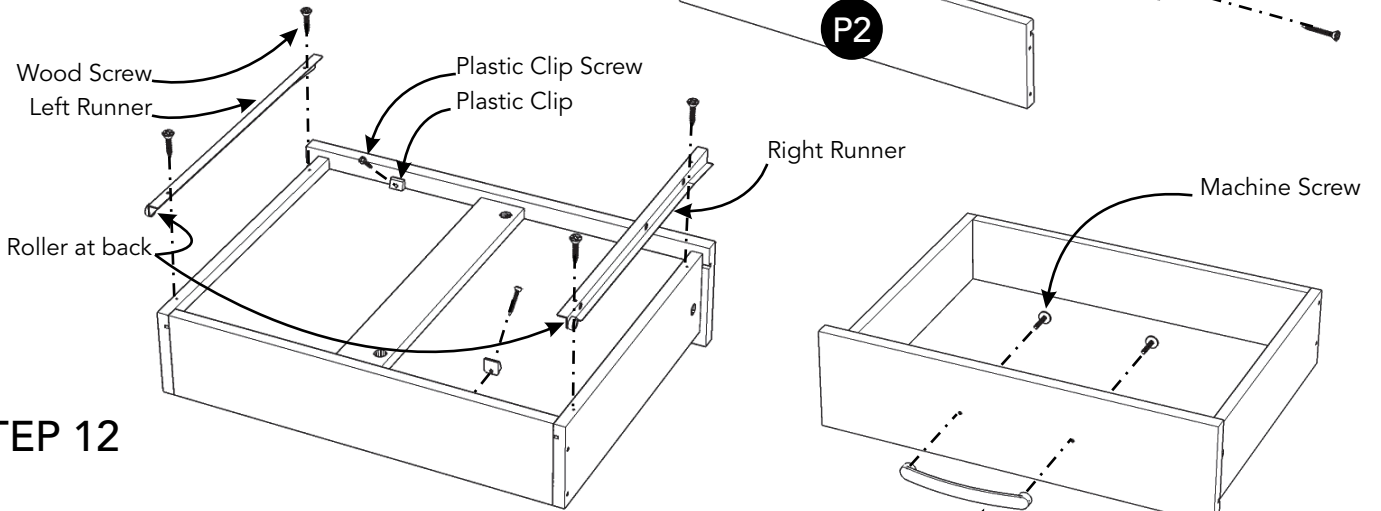
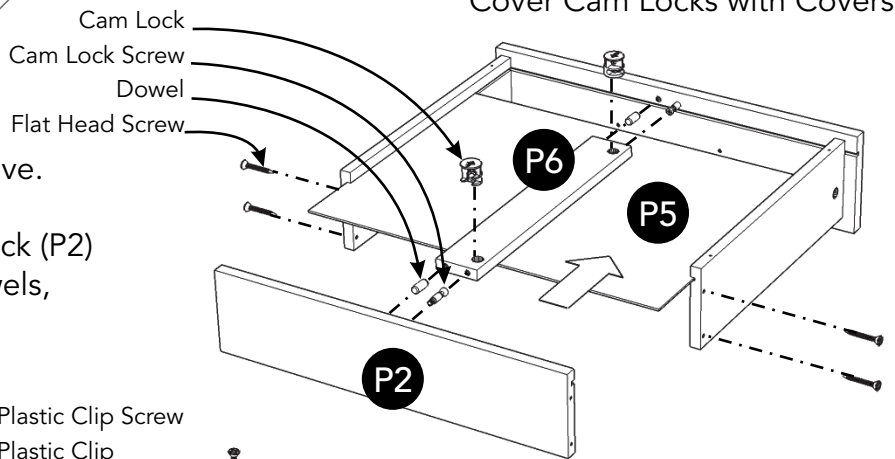
Attach Drawer Sides (P3) and (P4) to Drawer Front (P1) with Cam Lock Screws, Dowels and Cam Locks.

Cover Cam Locks with Covers.

STEP 11

Slide Drawer Bottom (P5) into groove.

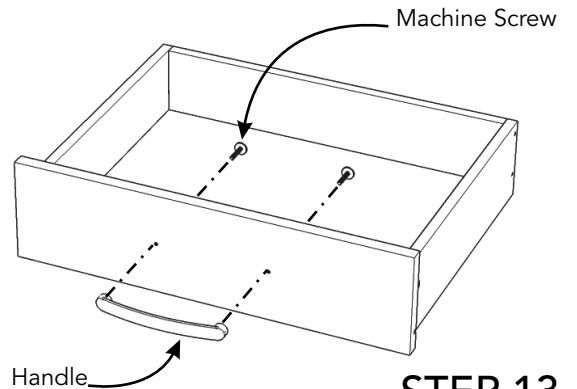
Attach Support (P6) and Drawer Back (P2) to unit with Cam Lock Screws, Dowels, Cam Locks and Flat Head Screws.



STEP 12

Attach Left Runner and Right Runner to unit with Wood Screws.

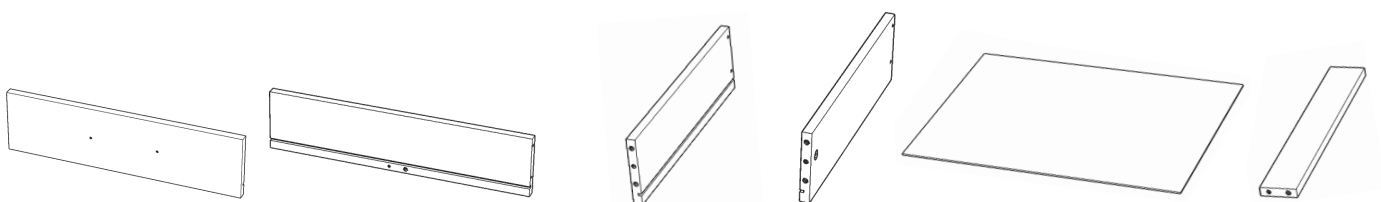
Attach Plastic Clips to unit with Plastic Clip Screws.



STEP 13

Attach Handle with Machine Screws.

Part List



P1.
Drawer Front
1 pc.

P2.
Drawer Back
1 pc.

P3.
Drawer Side
1 pc.

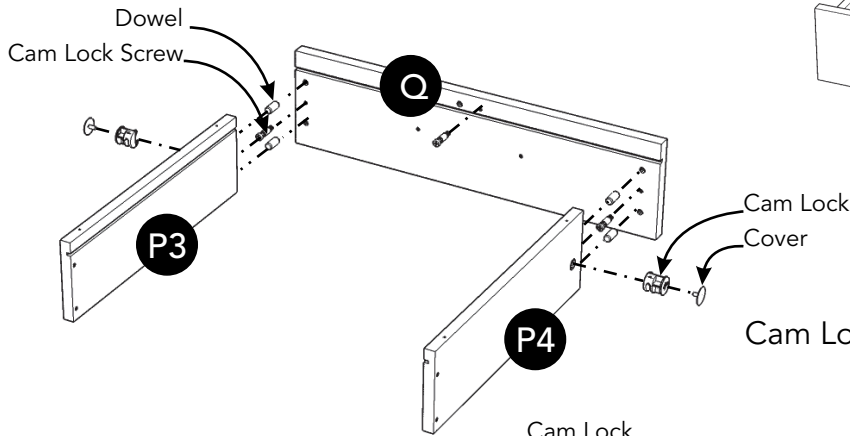
P4.
Drawer Side
1 pc.

P5.
Drawer Bottom
1 pc.

P6.
Support
1 pc.

Assembly Instructions 8/11

Drawer (Q)



STEP 14

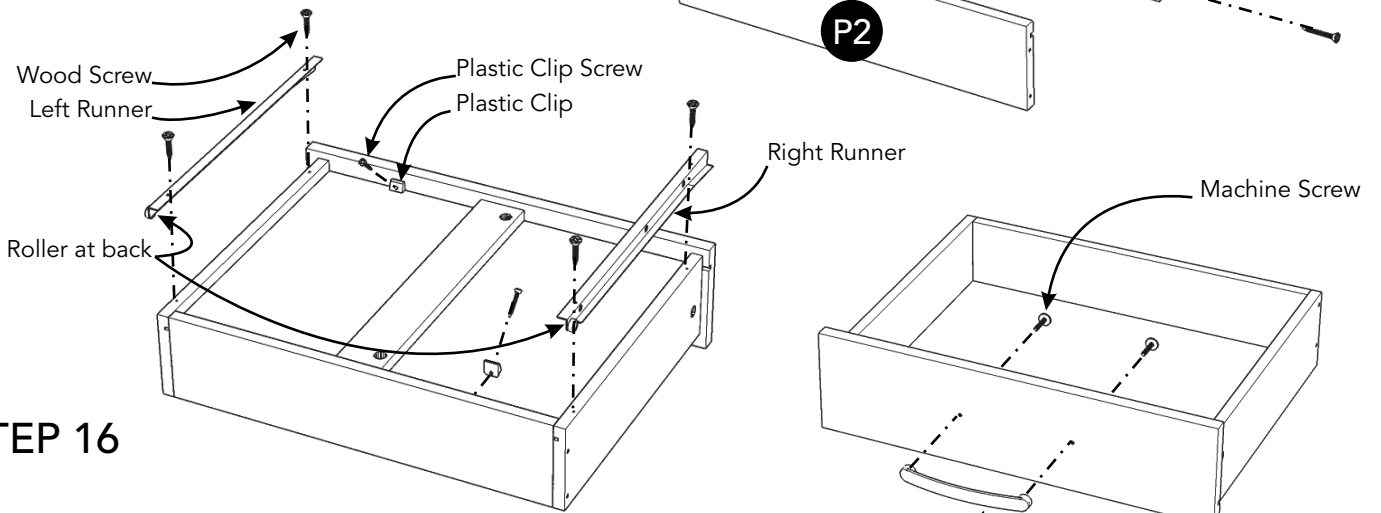
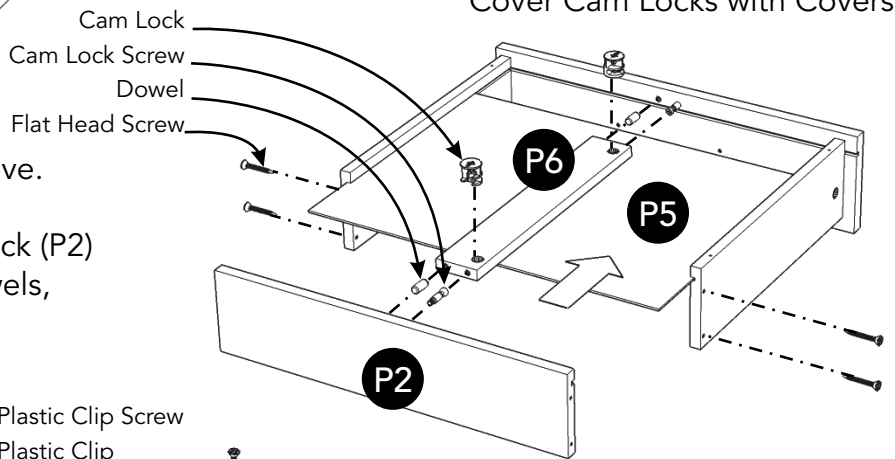
Attach Drawer Sides (P3) and (P4) to Drawer Front (Q) with Cam Lock Screws, Dowels and Cam Locks.

Cover Cam Locks with Covers.

STEP 15

Slide Drawer Bottom (P5) into groove.

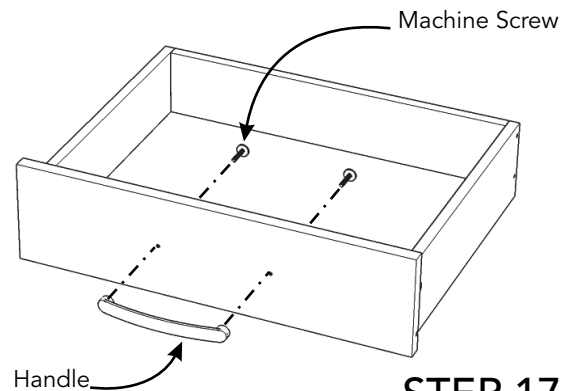
Attach Support (P6) and Drawer Back (P2) to unit with Cam Lock Screws, Dowels, Cam Locks and Flat Head Screws.



STEP 16

Attach Left Runner and Right Runner to unit with Wood Screws.

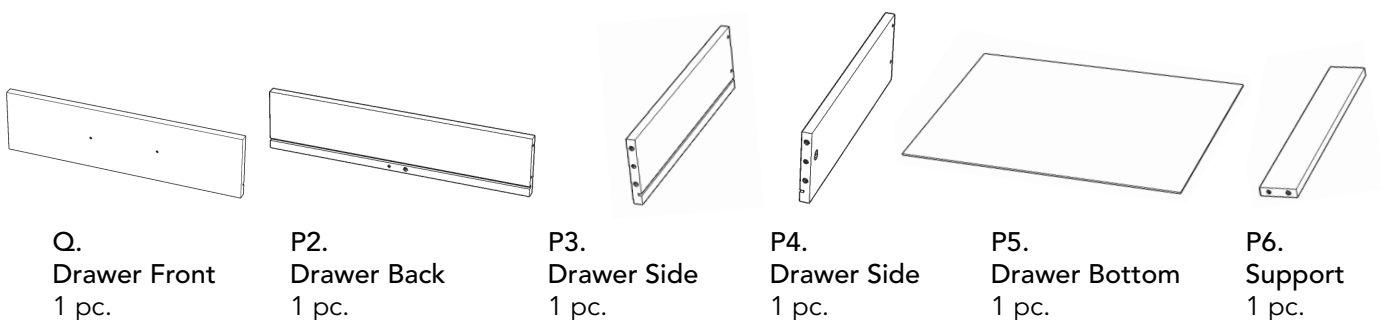
Attach Plastic Clips to unit with Plastic Clip Screws.



STEP 17

Attach Handle with Machine Screws.

Part List



Assembly Instructions 9/11

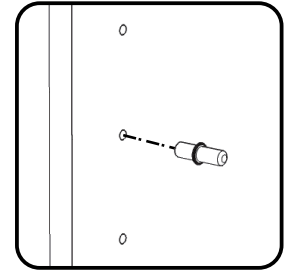
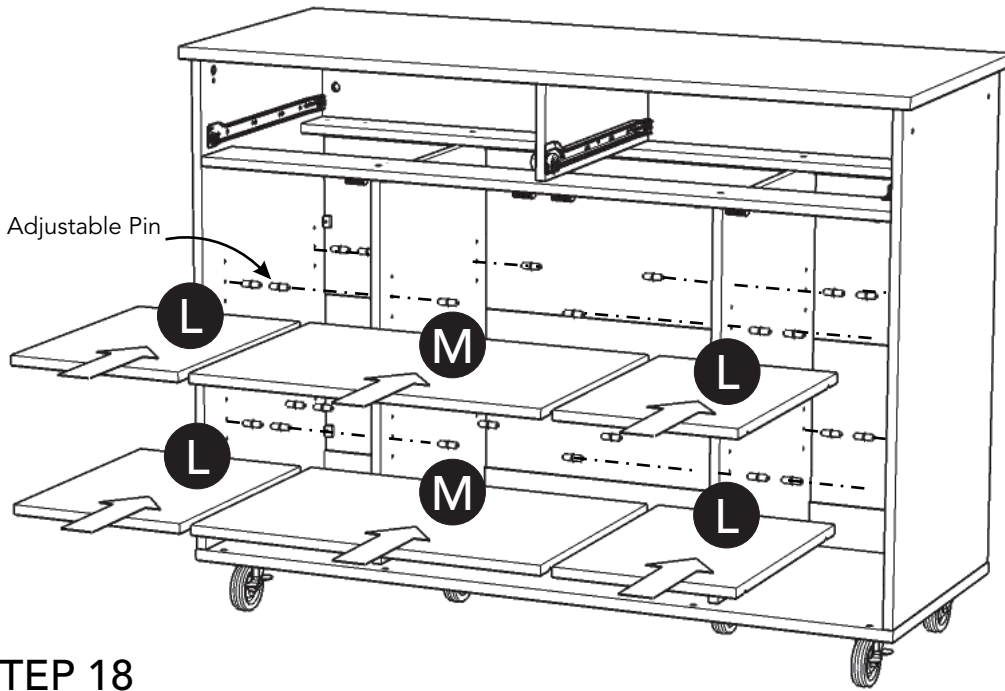


Figure 8

STEP 18

Insert Adjustable Pins into side panels and middle panels at desired level. (See Figure 8)

Place Shelves (L) and (M) into position.

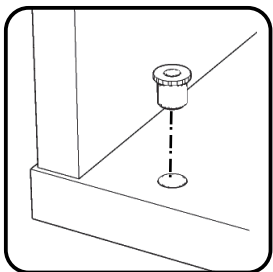


Figure 9

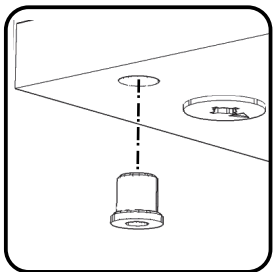
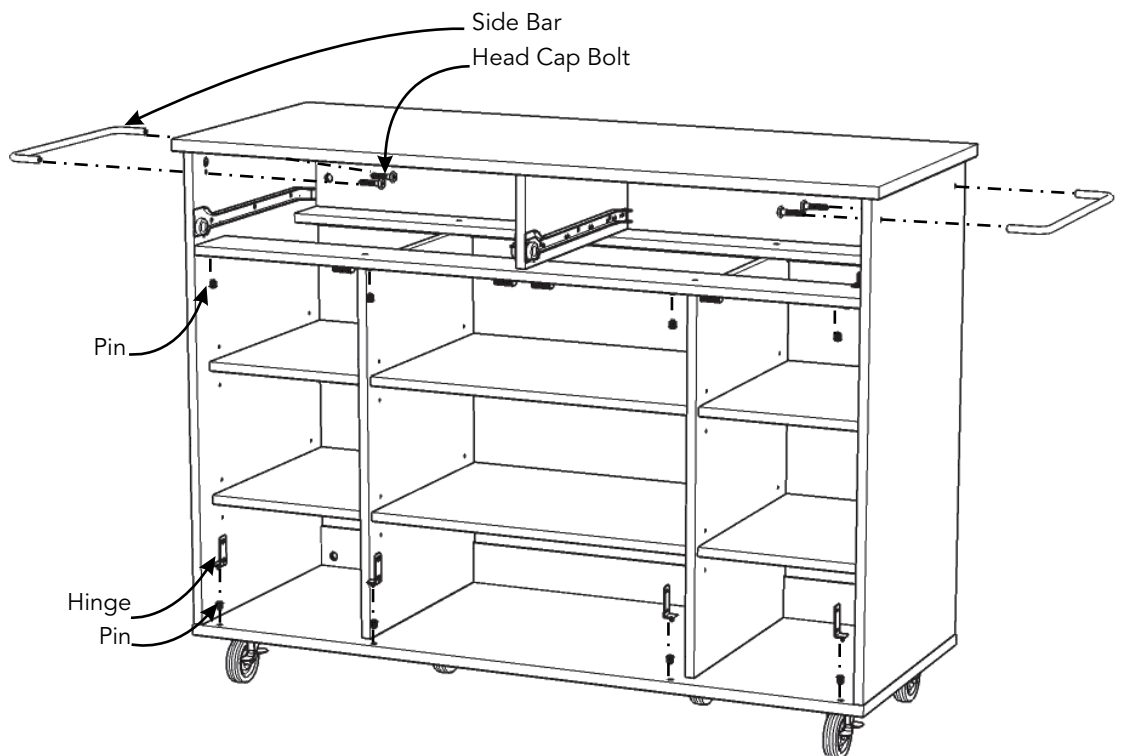


Figure 10



STEP 19

Attach Side Bars to unit with Head Cap Bolts into pre-drilled holes.

Insert Pins into pre-drilled holes in unit. (See Figures 9 and 10)

Insert Hinges into Pins. (See Figure 11)

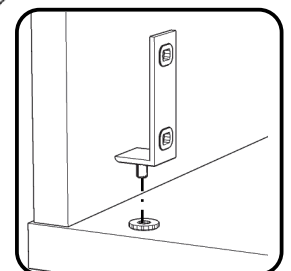


Figure 11

Assembly Instructions 10/11

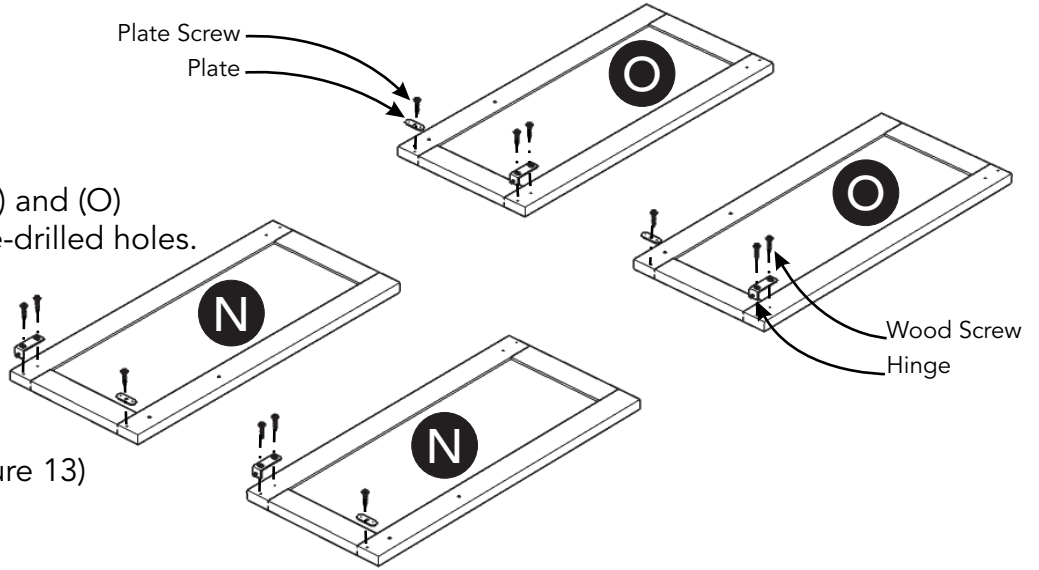
STEP 20

Place Doors (N) and (O) face down on a soft cloth.

Attach Hinges to Doors (N) and (O) with Wood Screws into pre-drilled holes. (See Figure 12)

Attach Plates to Doors (N) and (O) with Plate Screws into pre-drilled holes. (See Figure 13)

Plate Screw
Plate



Wood Screw
Hinge

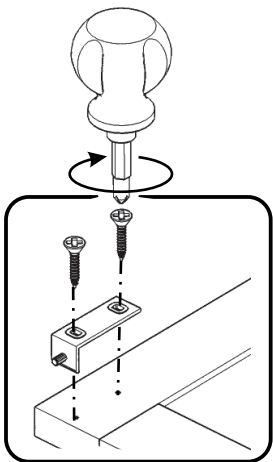


Figure 12

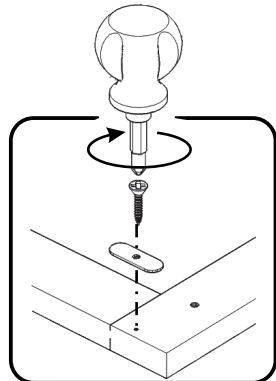


Figure 13

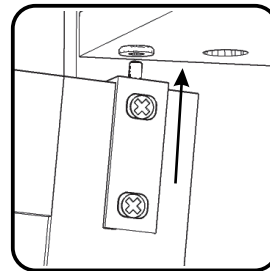


Figure 14

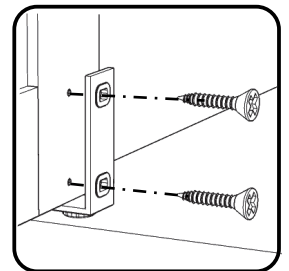
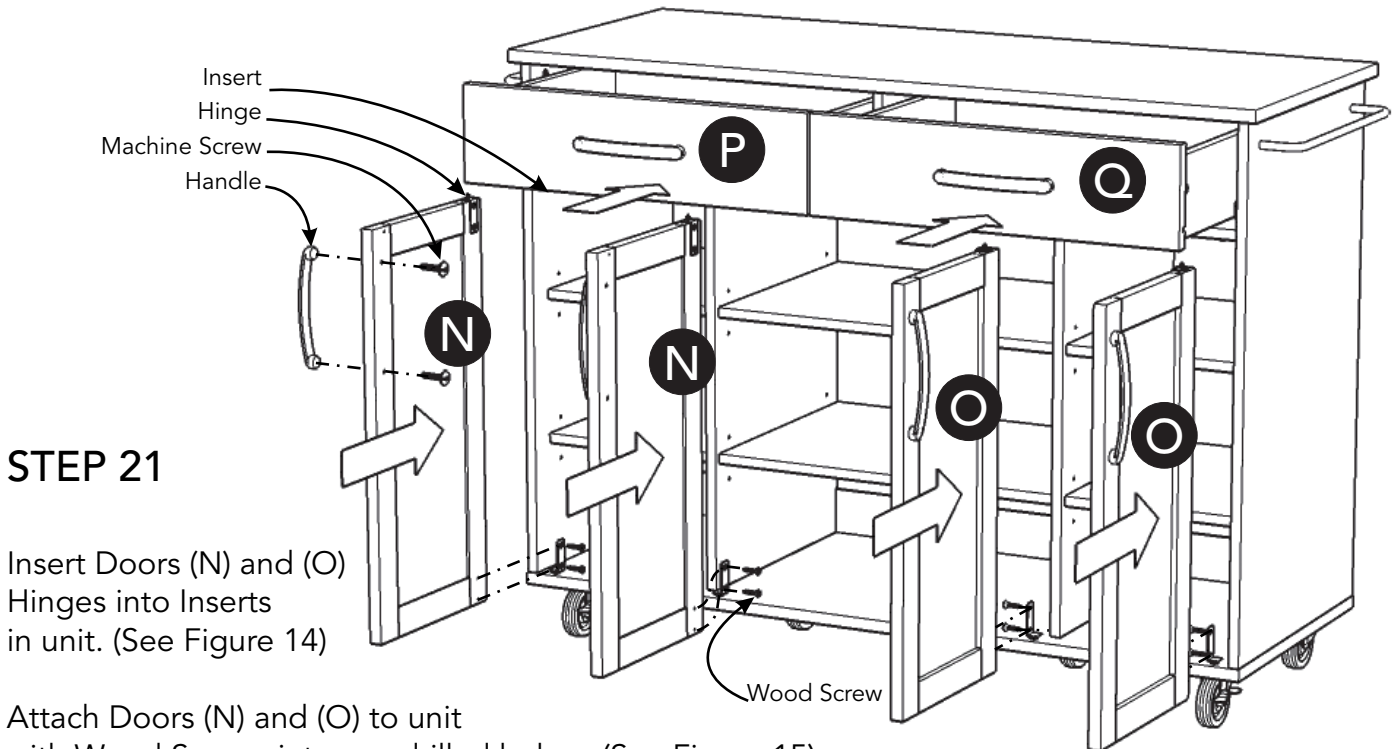


Figure 15



STEP 21

Insert Doors (N) and (O) Hinges into Inserts in unit. (See Figure 14)

Attach Doors (N) and (O) to unit with Wood Screws into pre-drilled holes. (See Figure 15)

Attach Handles to Doors (N) and (O) with Machine Screws.

Slide Drawers (P) and (Q) into position.

Assembly Instructions 11/11

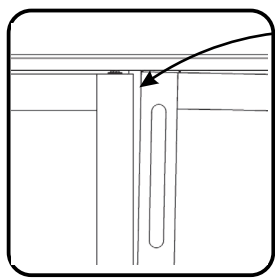
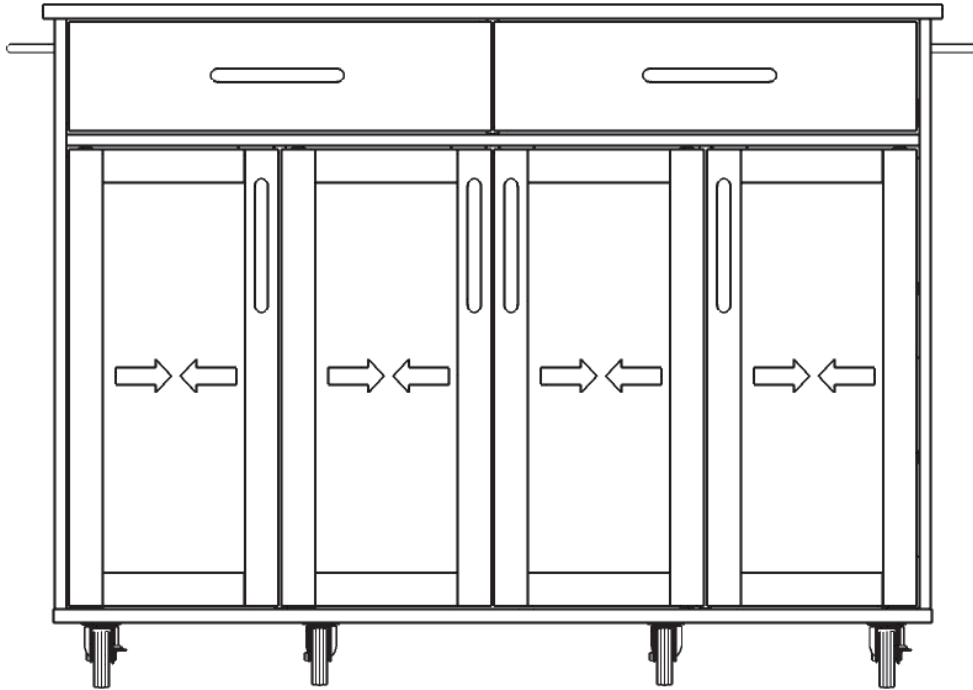


Figure 16

Uneven Gap

Large Gap

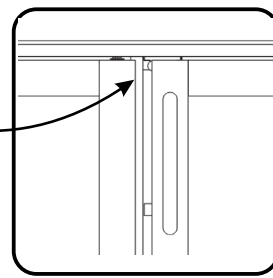


Figure 17

If needed, doors may be adjusted for large or uneven gaps between them. (See Figures 16 and 17)

Loosen Wood Screws attaching Hinge to door. (See Figure 18)

Slide door left to right as needed to adjust gap. (See Figure 19)

Re-tighten Wood Screws attaching Hinge to door. (See Figure 20)

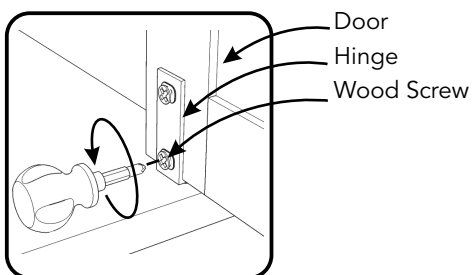


Figure 18

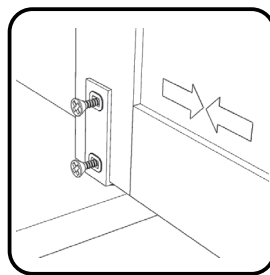


Figure 19

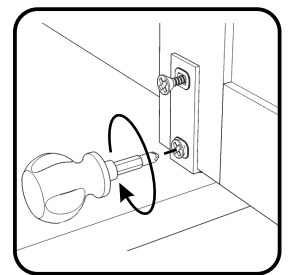


Figure 20

CARE INSTRUCTIONS

NEVER

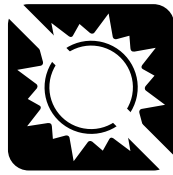
allow liquids to remain on furniture.
Absorption causes parts to warp
and split and finishes to delaminate.

NEVER

use glass cleaners on
finished furniture. Ammonia
chemically attacks the finish.



Do not use power tools
above 8 volts to assemble.
**PREVENT
CRACKING**



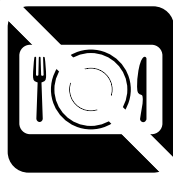
Do not place
in direct sunlight.
**PREVENT
FADING**



Do not write
directly on surface.
**PREVENT
MARKING**



Do not place hot
objects on surface.
**PREVENT
FINISH DAMAGE**



Do not use rubber
based placemats.
**PREVENT
DISCOLORING**



Do not use commercial
waxes and polishes.
**PREVENT
YELLOWING**

CLEAN

with a soft cloth moistened
in lukewarm soap and water.
Buff with a dry clean cloth.



Home Styles will provide replacements free of charge for missing or damaged hardware or parts within 30 days of purchase. Digital images of the defective parts may be required. If the product was not purchased from an authorized retail affiliate, Home Styles is under no obligation to provide replacement parts. Parts are not available for fully assembled items nor are parts available for sale. Replacements for missing or damaged hardware or parts may be requested at:

www.homestyles-furniture.com/customer-service/replacement-parts

Home Styles Customer Service: www.homestyles-furniture.com,
servicedesk@homestyles-furniture.com, 888-680-7460, 877-831-0319