

# Item: AZSLN026D4

## Assembly Instructions

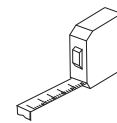
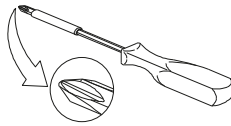
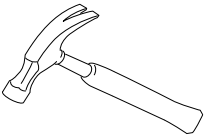


Please visit our website for the most current instructions, assembly tips, to report damage or request parts. [www.walkeredison.com](http://www.walkeredison.com)

Revised 03/2024-V1

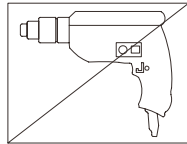
# General assembly guidelines

- I. Ensure that all parts and hardware are available before beginning assembly.
- II. Follow each step carefully to ensure the proper assembly of this product.
- III. Two people are recommended for ease in the assembly of this product.
- IV. The three main types of hardware used to assemble this product are wood dowels, screws and bolts.
- V. A Phillips head screwdriver, hammer and tape measure is required for the assembly of this product.



Tape measure

- VI. Power tools should not be used to assemble this product.



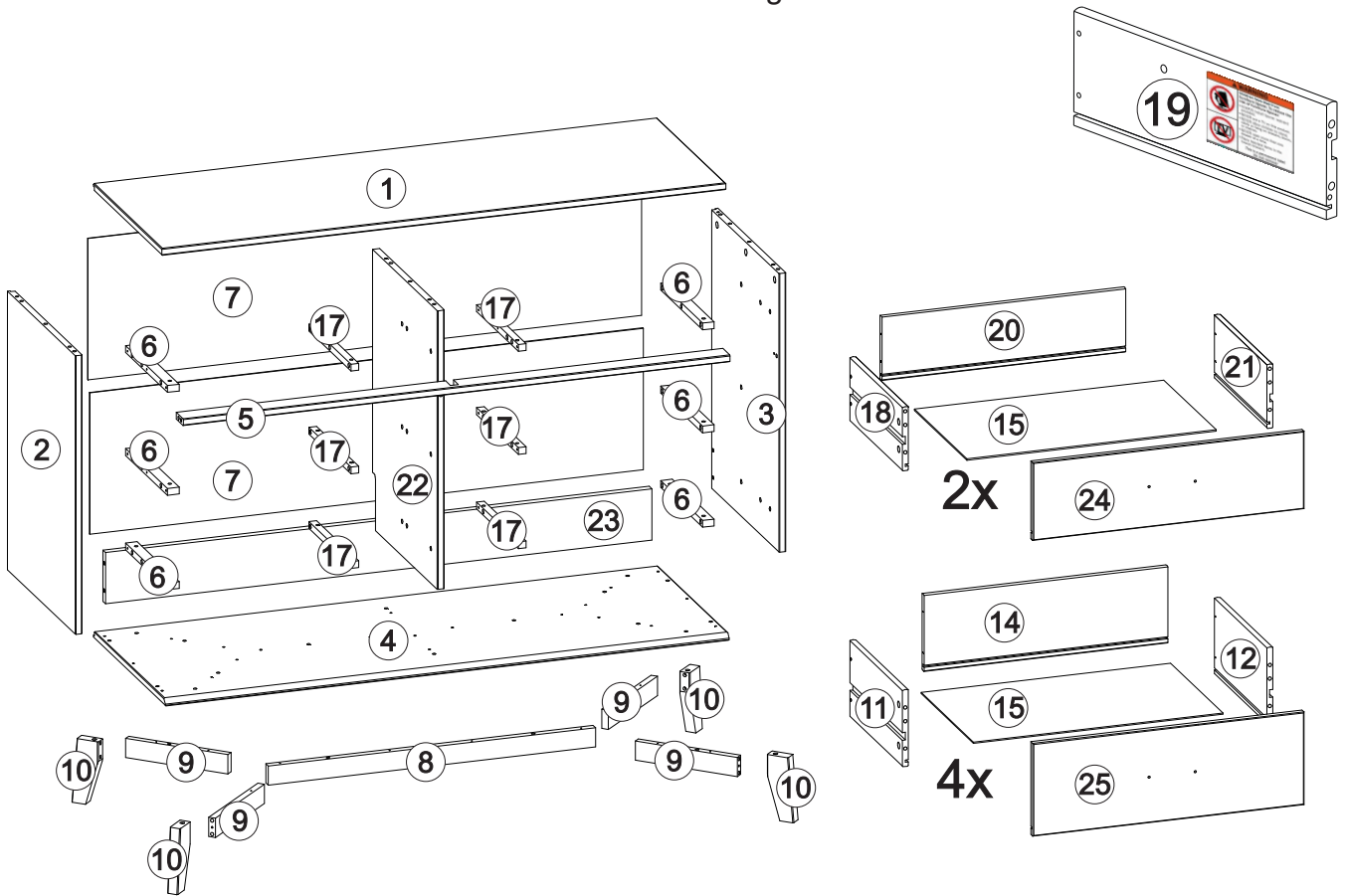
## VII. Maintenance Guide

To maintain long term performance and easy gliding of your solid wood drawers, we recommend applying wax to the wooden guide rails.

1. Bee's wax is recommended or Paraffin wax from a standard candle can be used.
2. Apply the wax by rubbing it on the wooden guide rails where there is wood-on-wood contact when opening and closing the drawer. (Wax should be room temperature, do not melt the wax onto the wood)
3. Wax should be applied every few months for the first year and then only when needed after that to keep the drawers sliding smoothly.

# Parts List


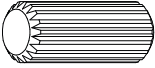




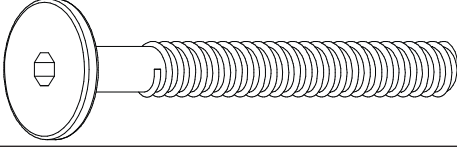
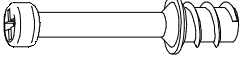
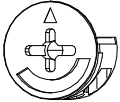



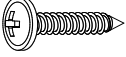




The side drawer with WARNING LABEL, should be mounted in highest drawer.

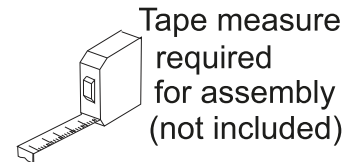
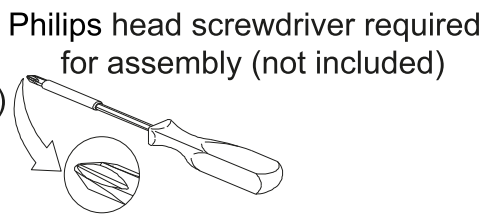
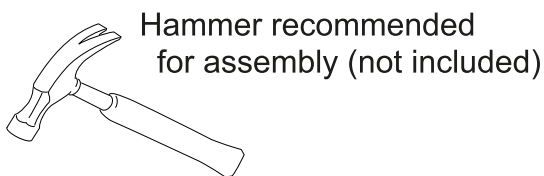


Part #	Description	Qty
1	Top panel	01 pc
2	Left side panel	01 pc
3	Right side panel	01 pc
4	Bottom panel	01 pc
5	Front rail	01 pc
6	Large wood slider	06 pcs
7	Back panel	02 pcs
8	Center base rail	01 pc
9	Foot rail	04 pcs
10	Foot	04 pcs
11	Left drawer side	04 pcs
12	Right drawer side	04 pcs

Part #	Description	Qty
14	Drawer back	04 pcs
15	Drawer bottom	06 pcs
17	Wood slider	06 pcs
18	Small left drawer side	02 pcs
19	Right drawer side with warning	01 pc
20	Small drawer back	02 pcs
21	Small right drawer side	01 pc
22	Division	01 pc
23	Back rail	01 pc
24	Small drawer front	02 pcs
25	Drawer front	04 pcs

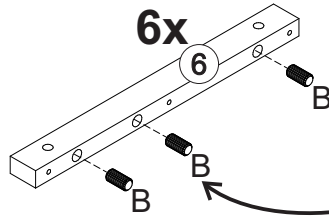
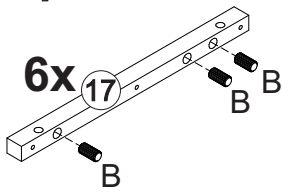
# Hardware List

A		Ø8*30mm	Wooden dowel	57 pcs
B		Ø10*20mm	Wooden dowel	36 pcs
C		Ø4*25mm	Screw	36 pcs
D		Ø3,5*30mm	Screw	40 pcs
E		Ø4,0*40mm	Screw	10 pcs
F		10*7	Nail	36 pcs
G		Ø7*60mm	Screw	04 pcs
H		Ø6*31mm	Cam bolt	35 pcs
I		Ø15*11mm	Cam lock	35 pcs
K		4mm	Hex Key	01 pcs
L			Wall anchor	01 pc
M			Washer	02 pcs
N		Ø4,0*16mm	Screw	01 pc
O		Ø6*35mm	Plastic bush	01 pc
P		Ø8*40mm	Wooden dowel	12 pcs
Q			Handle	06 pcs
R		M4*22mm	Screw	12 pcs

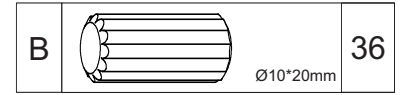
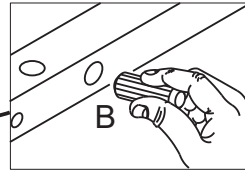
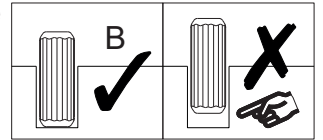


*The hardware quantities listed above are required for proper assembly. Some extra hardware may also have been included.*

# Step 1

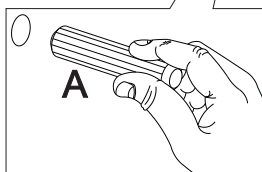
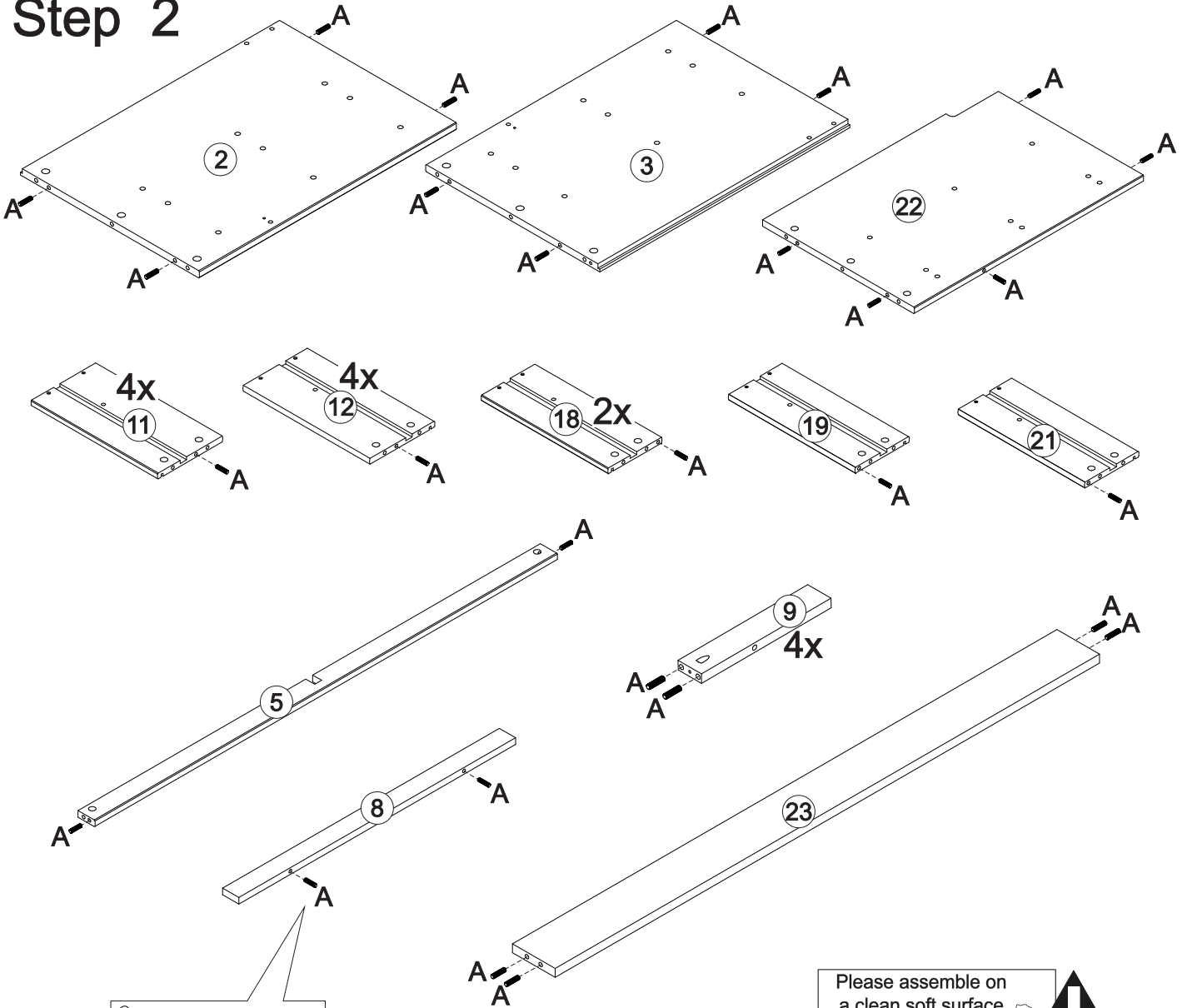


Attention to the  
dowel length:  
Ø10\*20mm

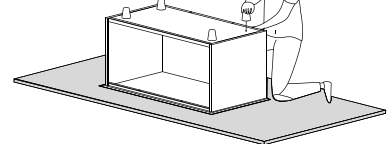


Insert wood dowel (B) into part 6 and 17.

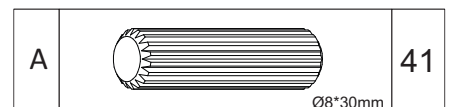
# Step 2



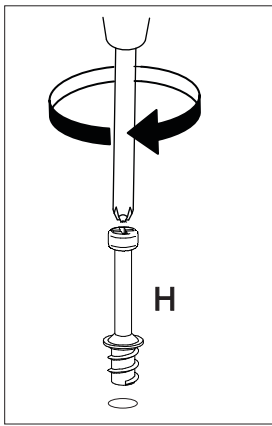
Please assemble on  
a clean soft surface  
to avoid damage.



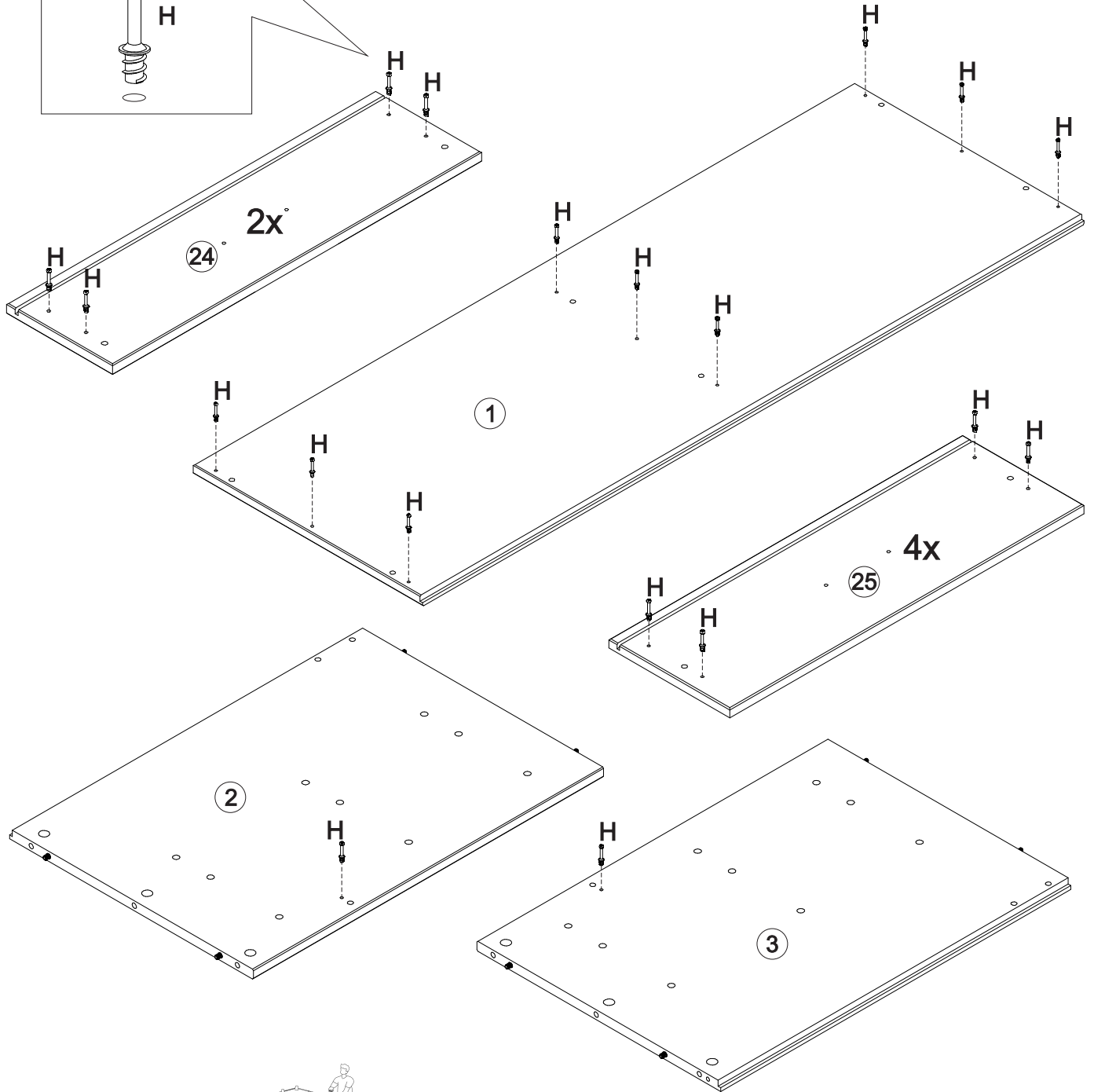
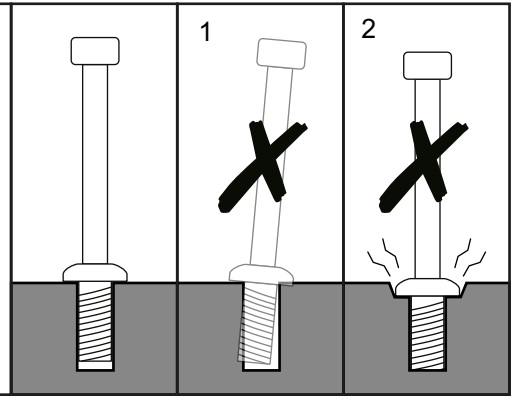
Insert wood dowel (A) into parts 2, 3, 5, 8, 9,  
11, 12, 18, 19, 21, 22 and 23.



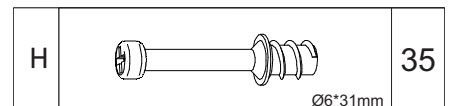
# Step 3



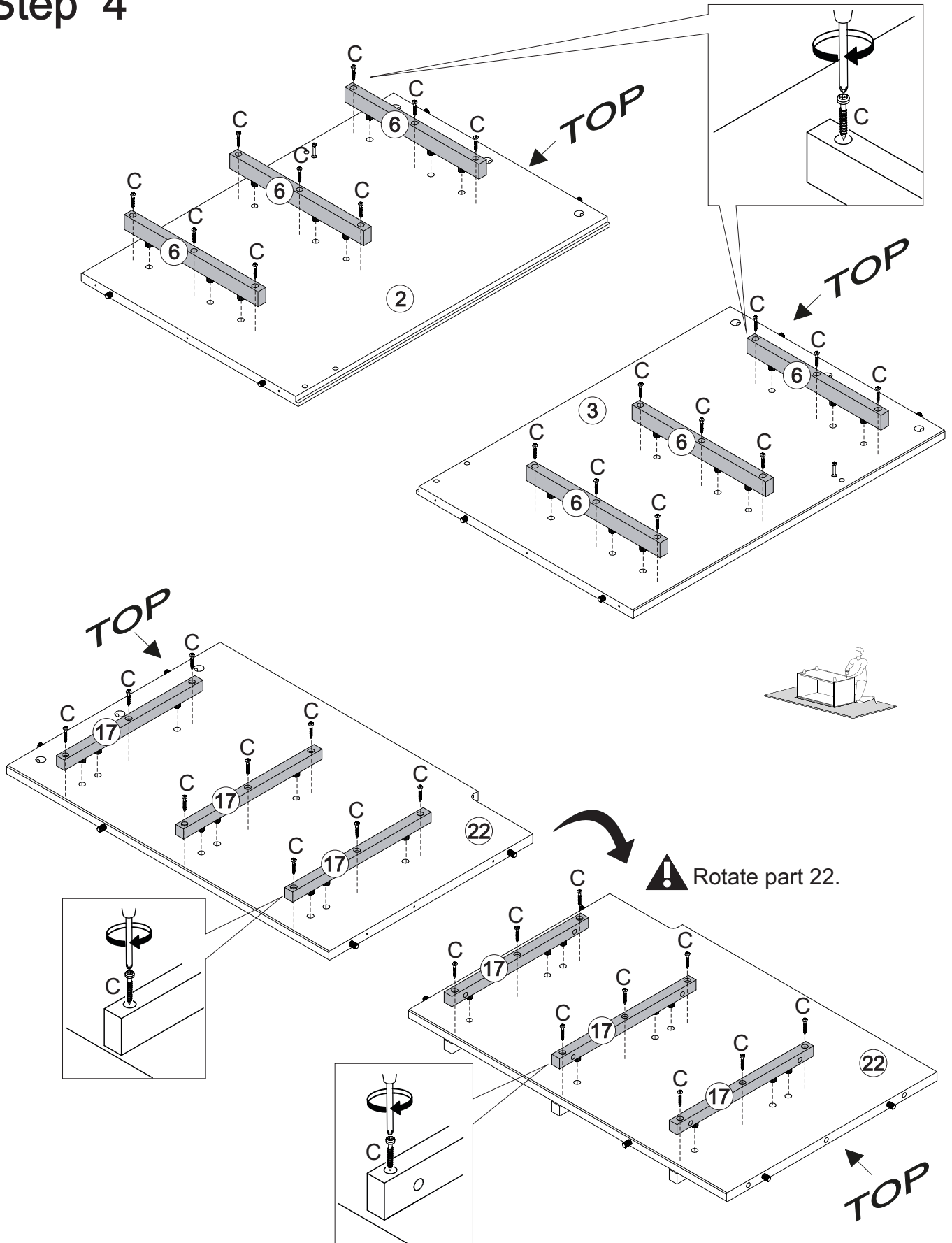
1 - Ensure cam bolt is installed straight and not at an angle.  
2 - Tighten cam bolt until shoulder on cam bolt is flush. Do not over-tighten.




Attach cam bolt (H) into the holes in parts 1, 2, 3, 24, and 25 with Phillips head screwdriver.



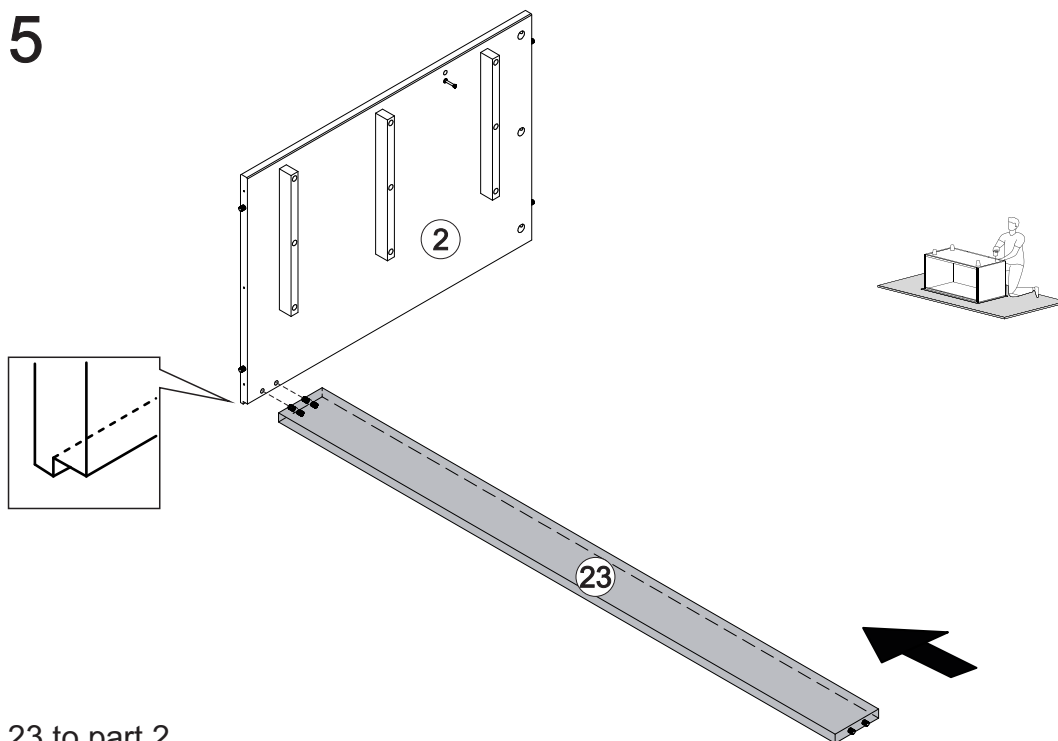
# Step 4



Secure parts 6 to part 2 and 3 with screw (C) and Phillips head screwdriver.  
 Secure parts 17 to part 22 with screw (C) and Phillips head screwdriver.

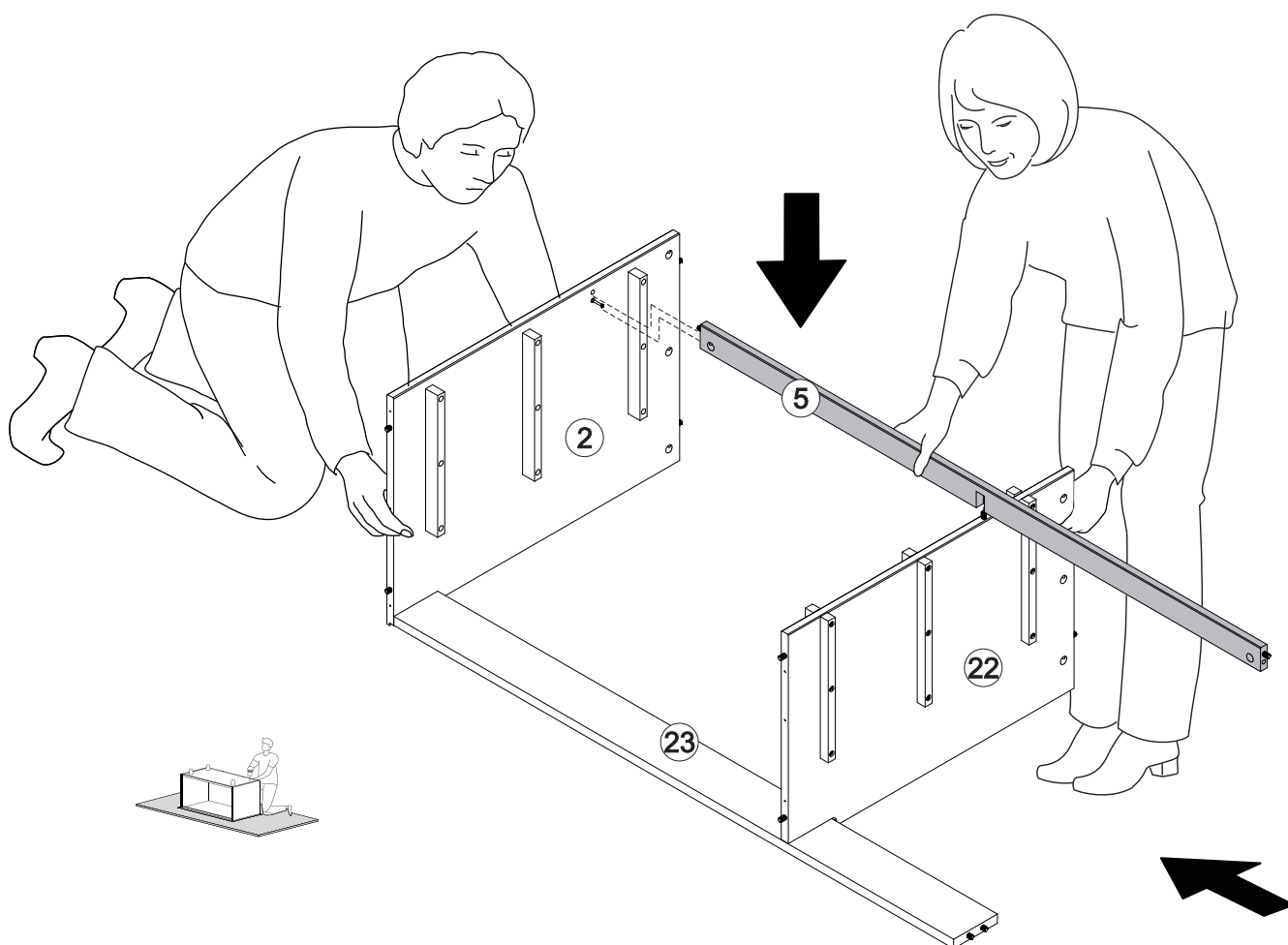
C		36
		Ø4*25mm

## Step 5



Attach part 23 to part 2.

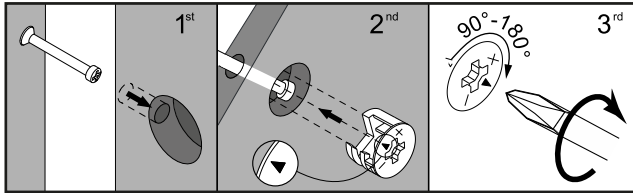
## Step 6



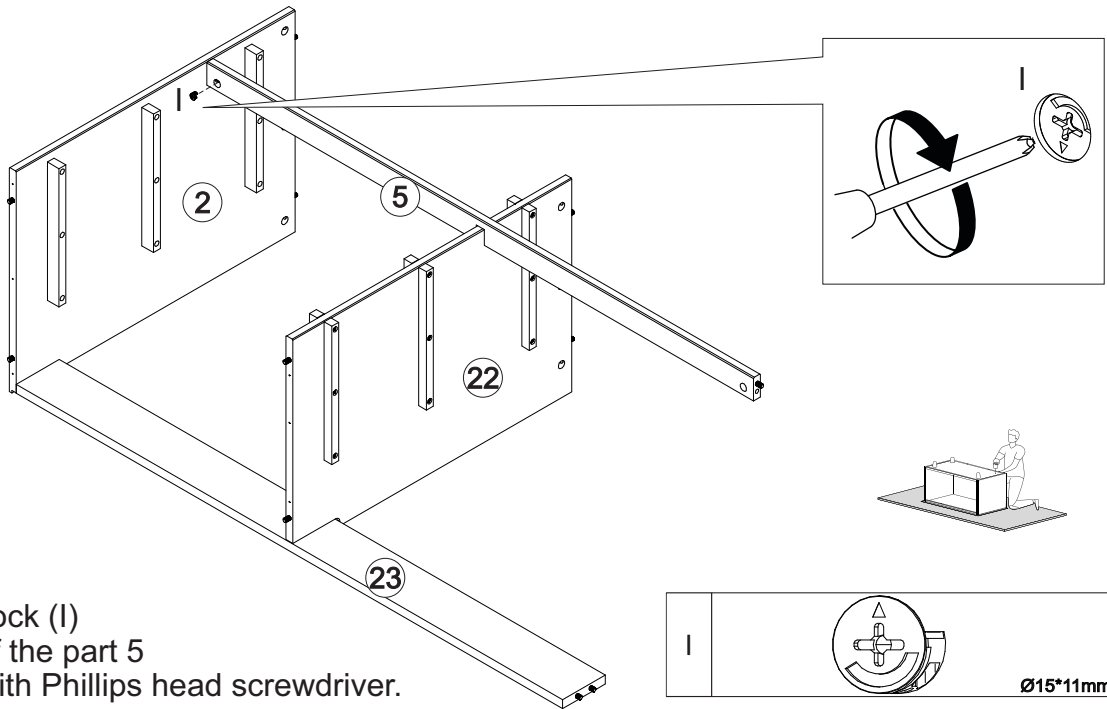
Attach part 5 to part 22.  
Attach part 5 to part 2.



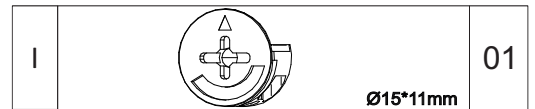
# Step 7



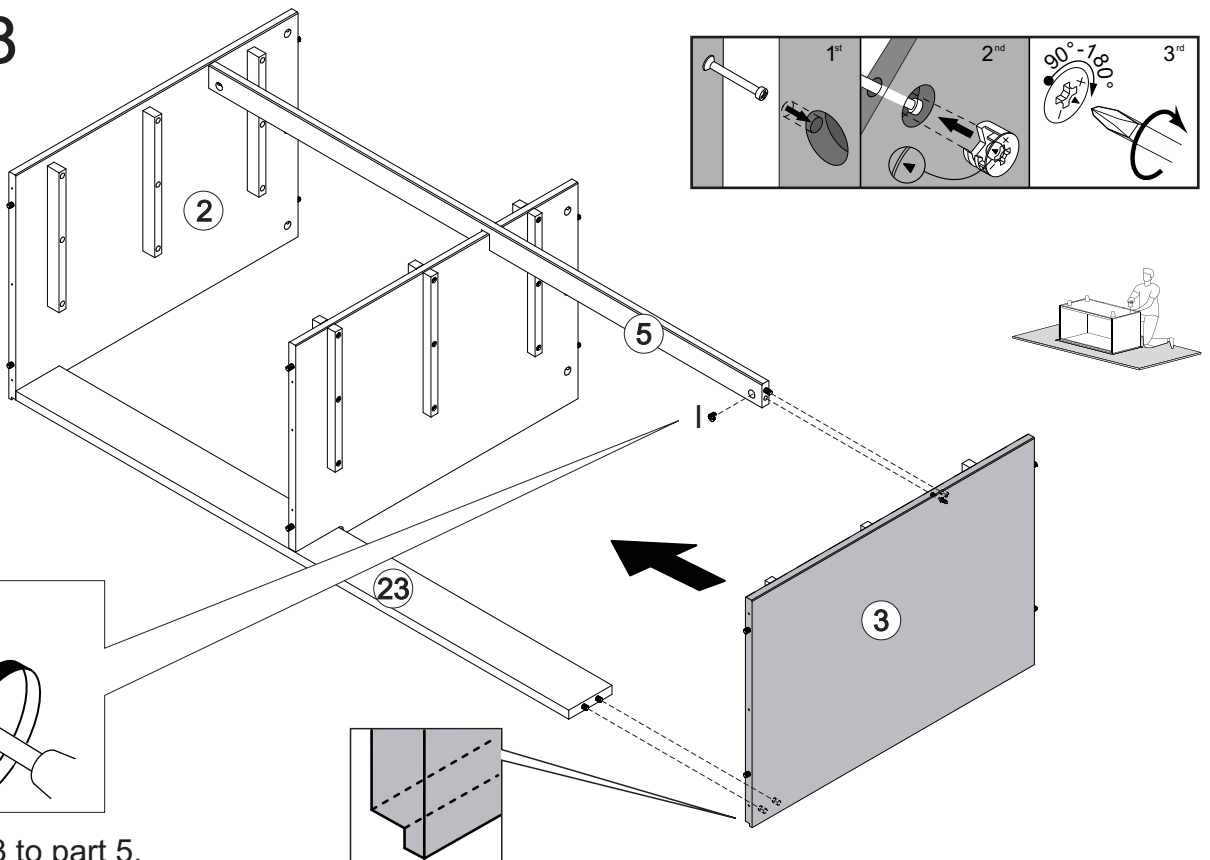
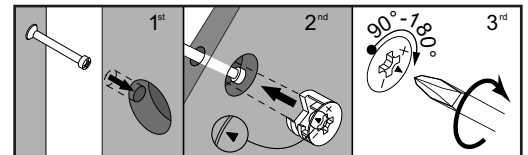
Align the opening in cam lock to the cam bolt and press into opening. Using a screwdriver, rotate the cam lock until it engages with the cam bolt and locks in place (anywhere between 90-180 degrees). Do not over-tighten the cam lock. Doing so may result in damaged or broken parts.



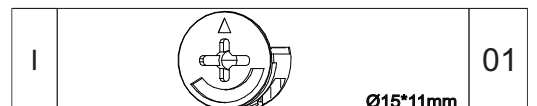
Insert Cam lock (I) in the hole of the part 5 and attach with Phillips head screwdriver.



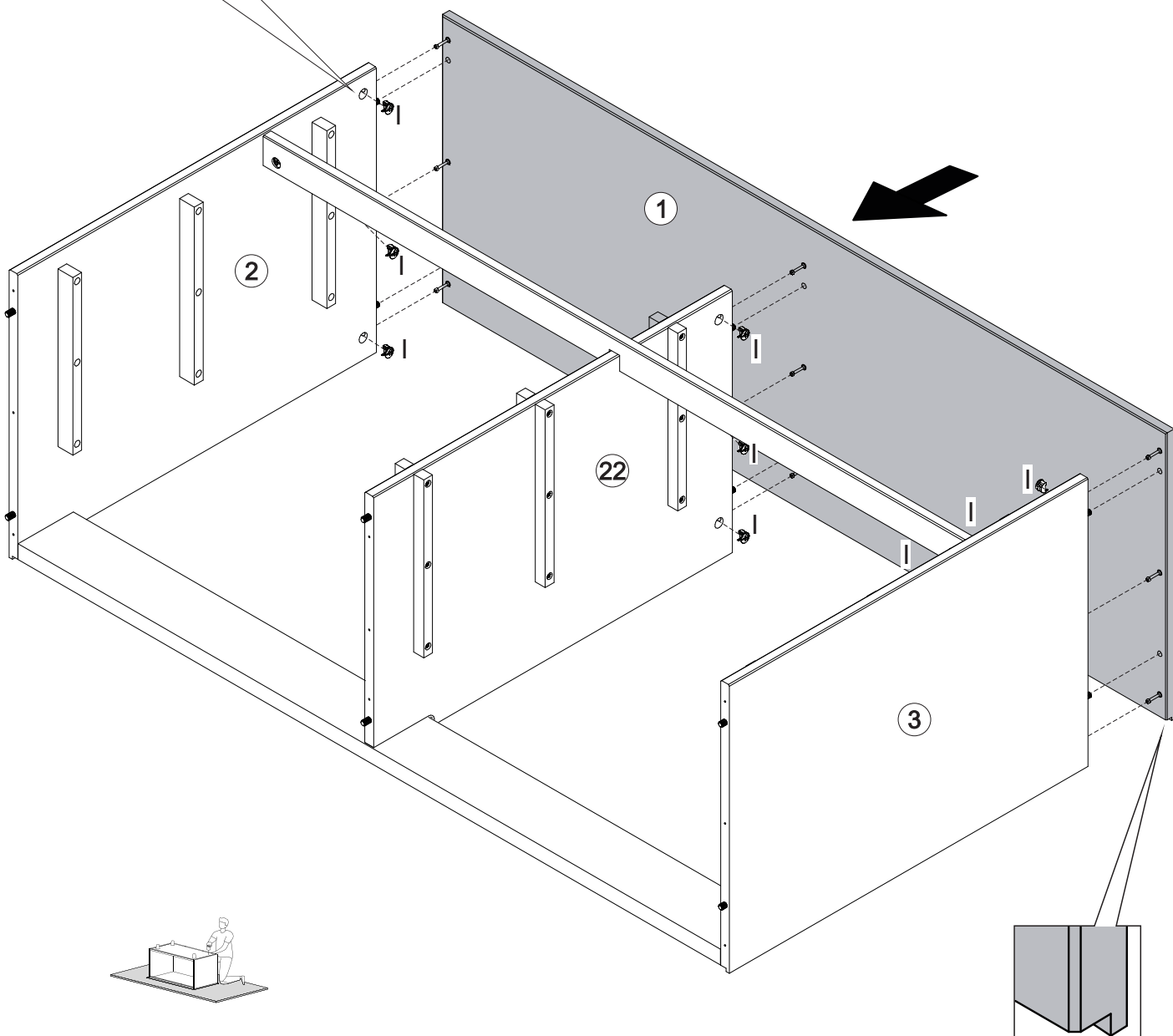
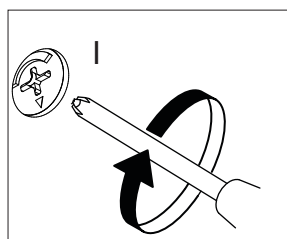
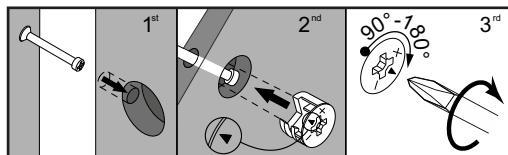
# Step 8



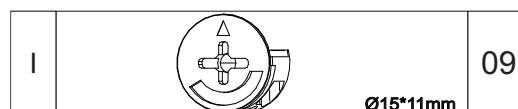
Attach part 3 to part 5. Insert Cam lock (I) in the hole of the part 5 and attach with Phillips head screwdriver.



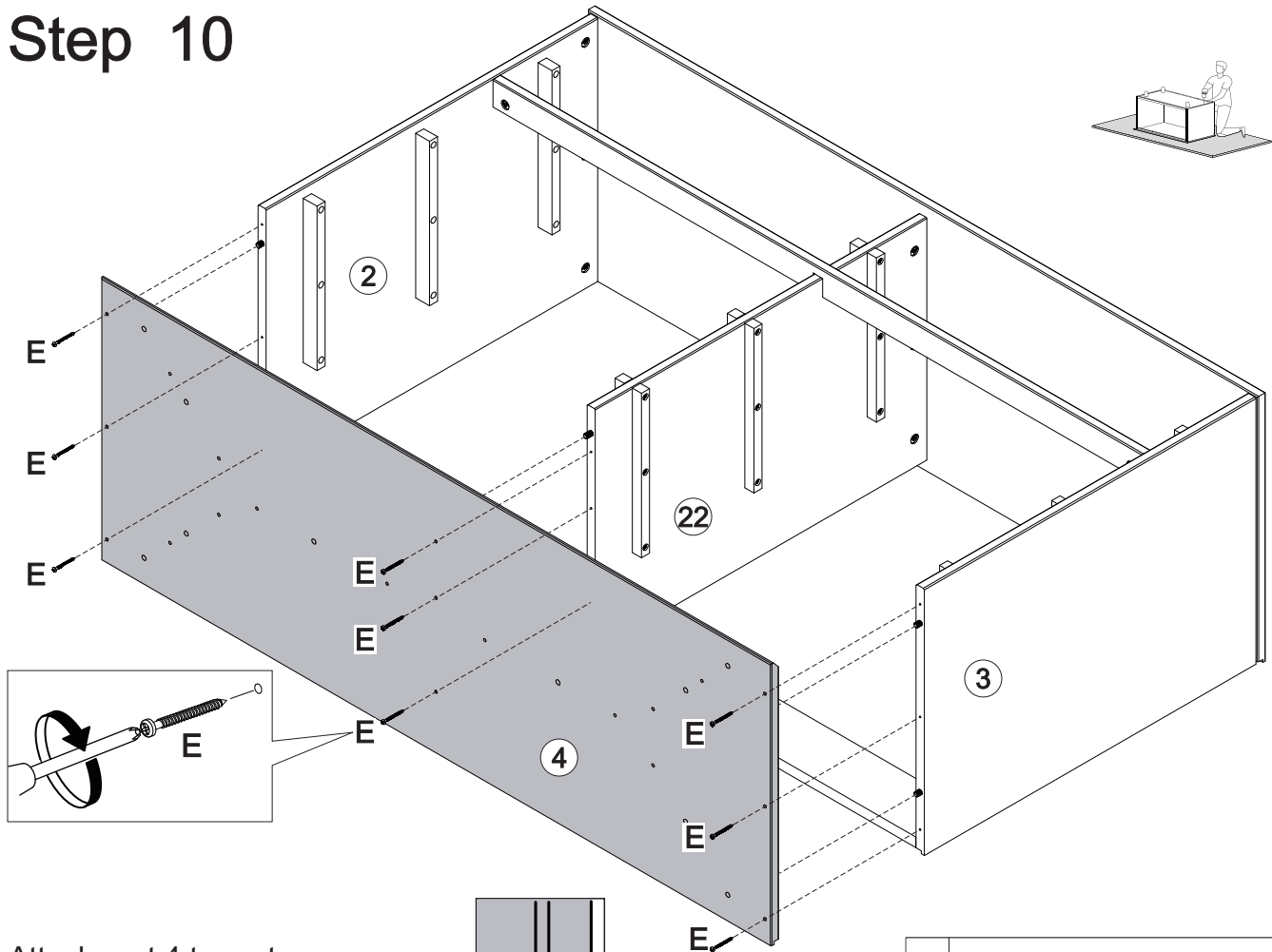
# Step 9



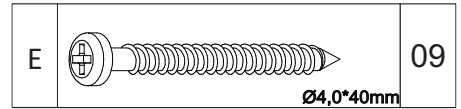
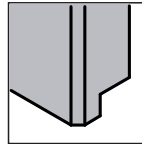
Attach part 1 to parts 2, 3, and 22.  
Insert Cam lock (I) into the holes in the  
parts 2, 3, and 22, and attach with Phillips  
head screwdriver.



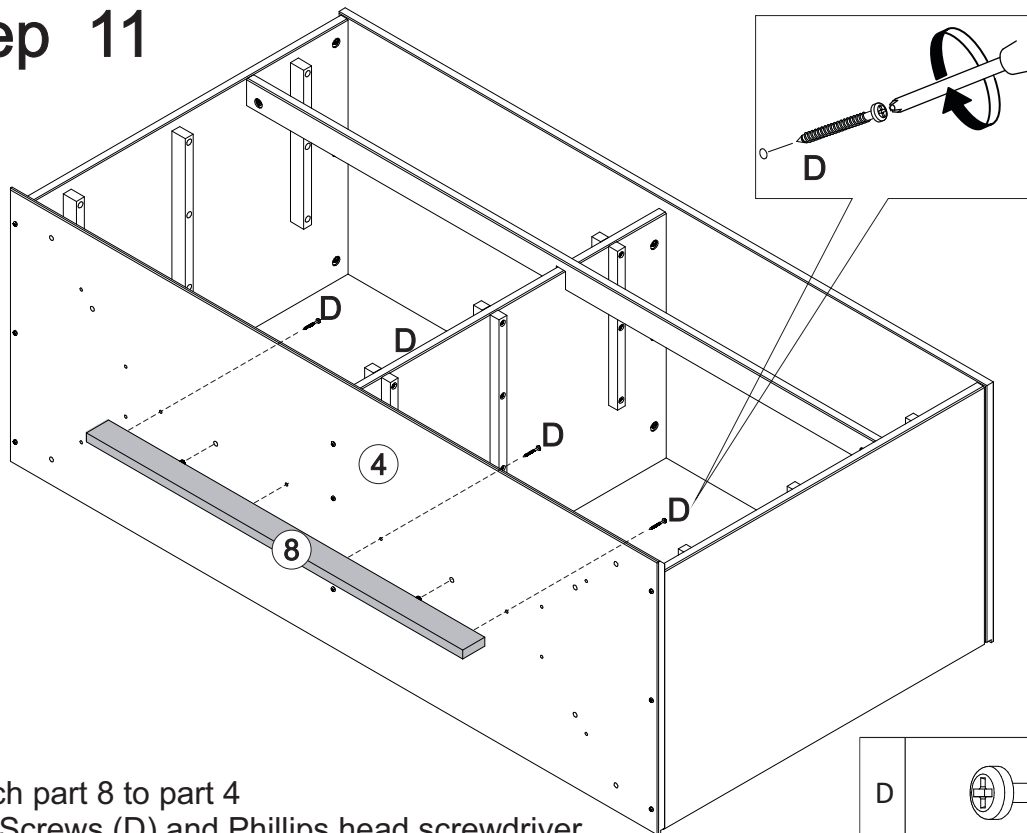
# Step 10



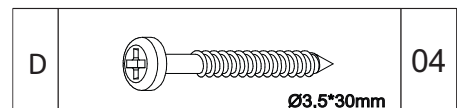
Attach part 4 to parts 2, 3 and 22 with Screws (E) and Phillips head screwdriver.



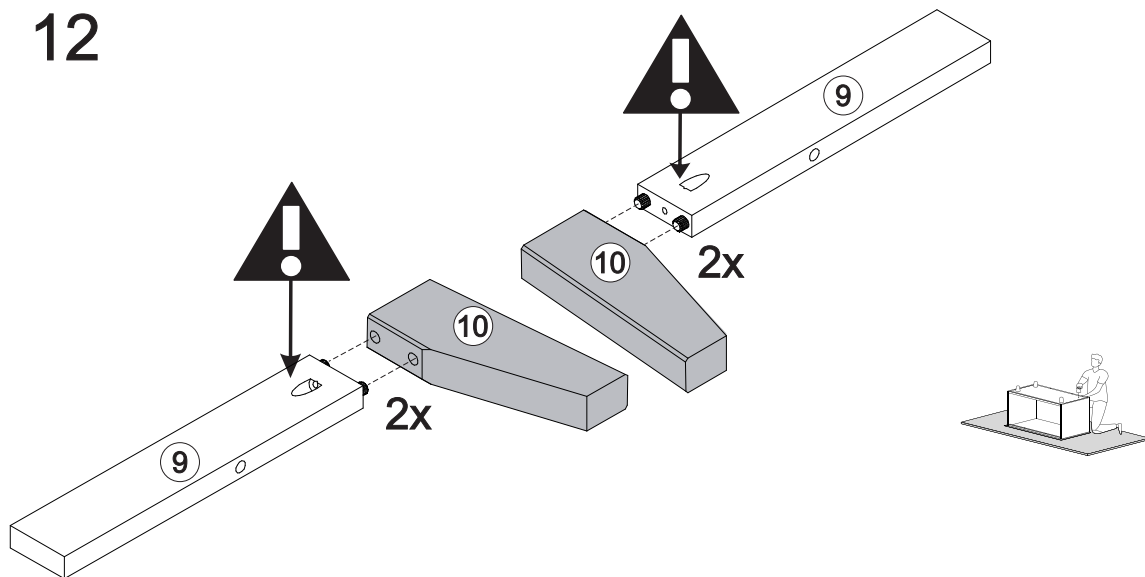
# Step 11



Attach part 8 to part 4 with Screws (D) and Phillips head screwdriver.

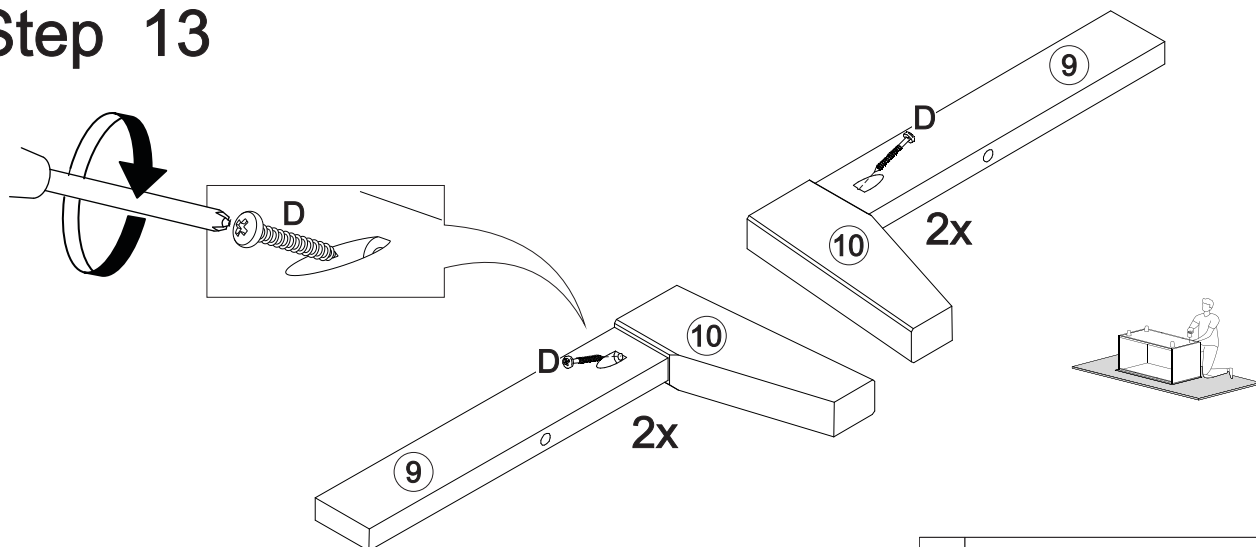


## Step 12

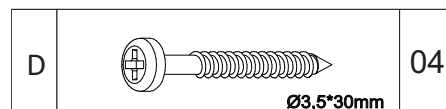


Attach part 9 to part 10. Do these steps twice. Make sure that the assembly is mirrored.

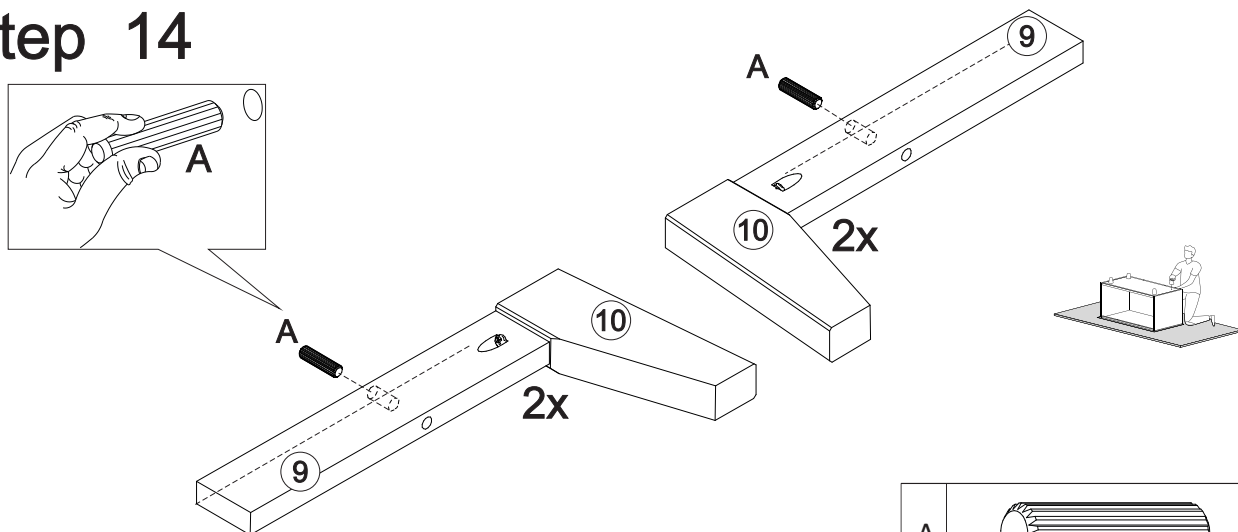
## Step 13



Use screw (D) to attach part 9 to part 10 with a Phillips head screwdriver. Do these steps twice.



## Step 14

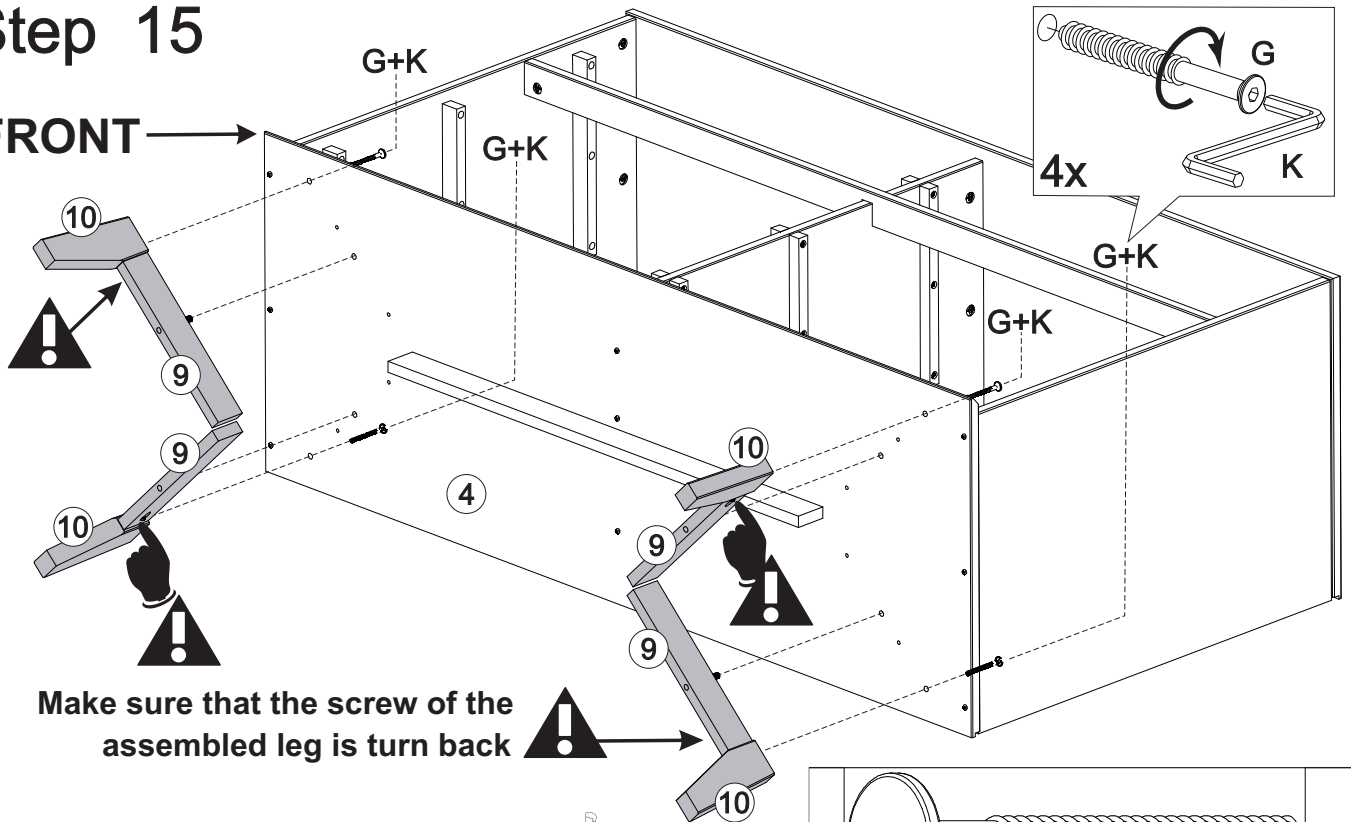


Insert wood dowel (A) in the part 9. As shown above.

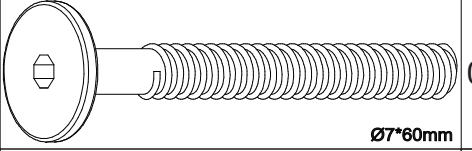



# Step 15

FRONT →

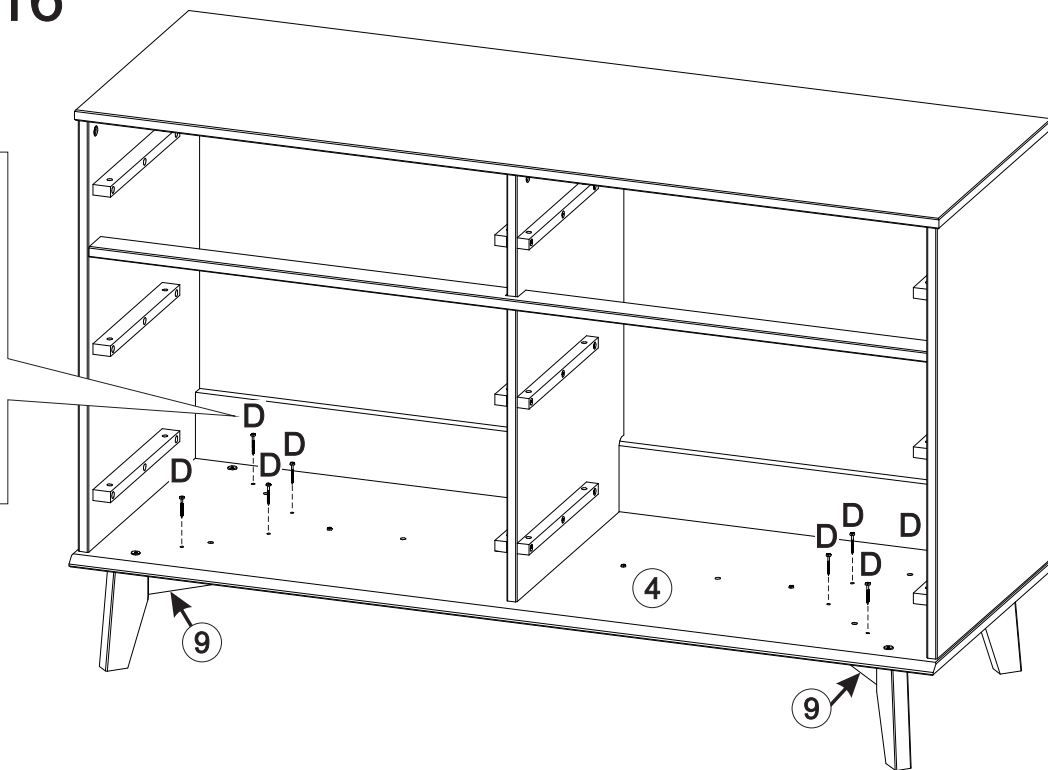
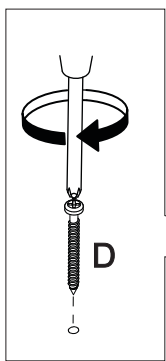


Make sure that the screw of the assembled leg is turn back


G		04
$\varnothing 7 \times 60\text{mm}$		
K		01
$4\text{mm}$		

Attach assembled leg to part 4 from inside the unit with bolt (G) and hex key (K).

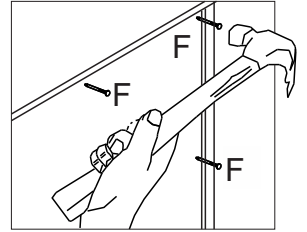
# Step 16



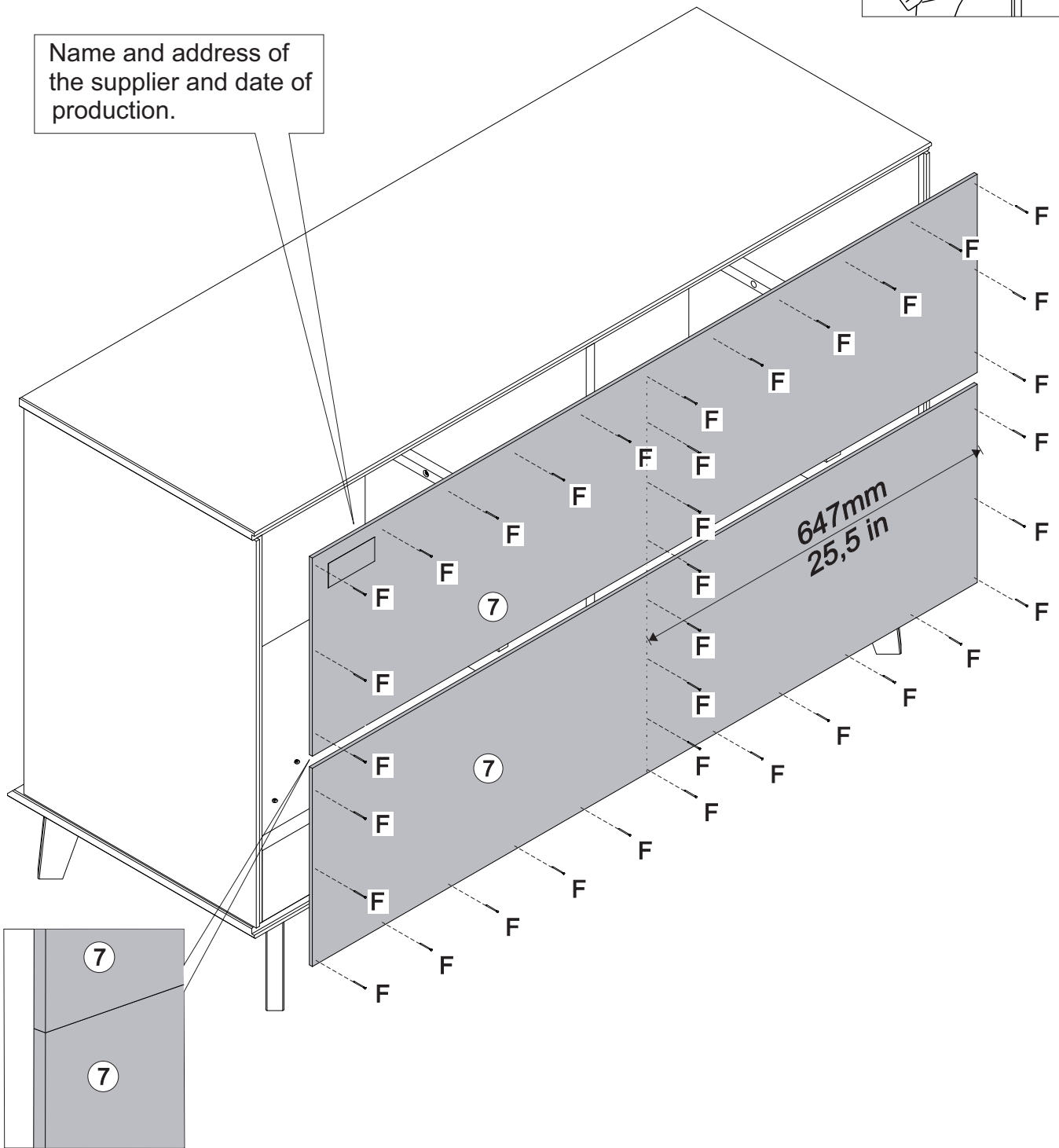
Attach part 9 to part 4 with Screws (D) and Phillips head screwdriver.


D		08
$\varnothing 3,5 \times 30\text{mm}$		

# Step 17



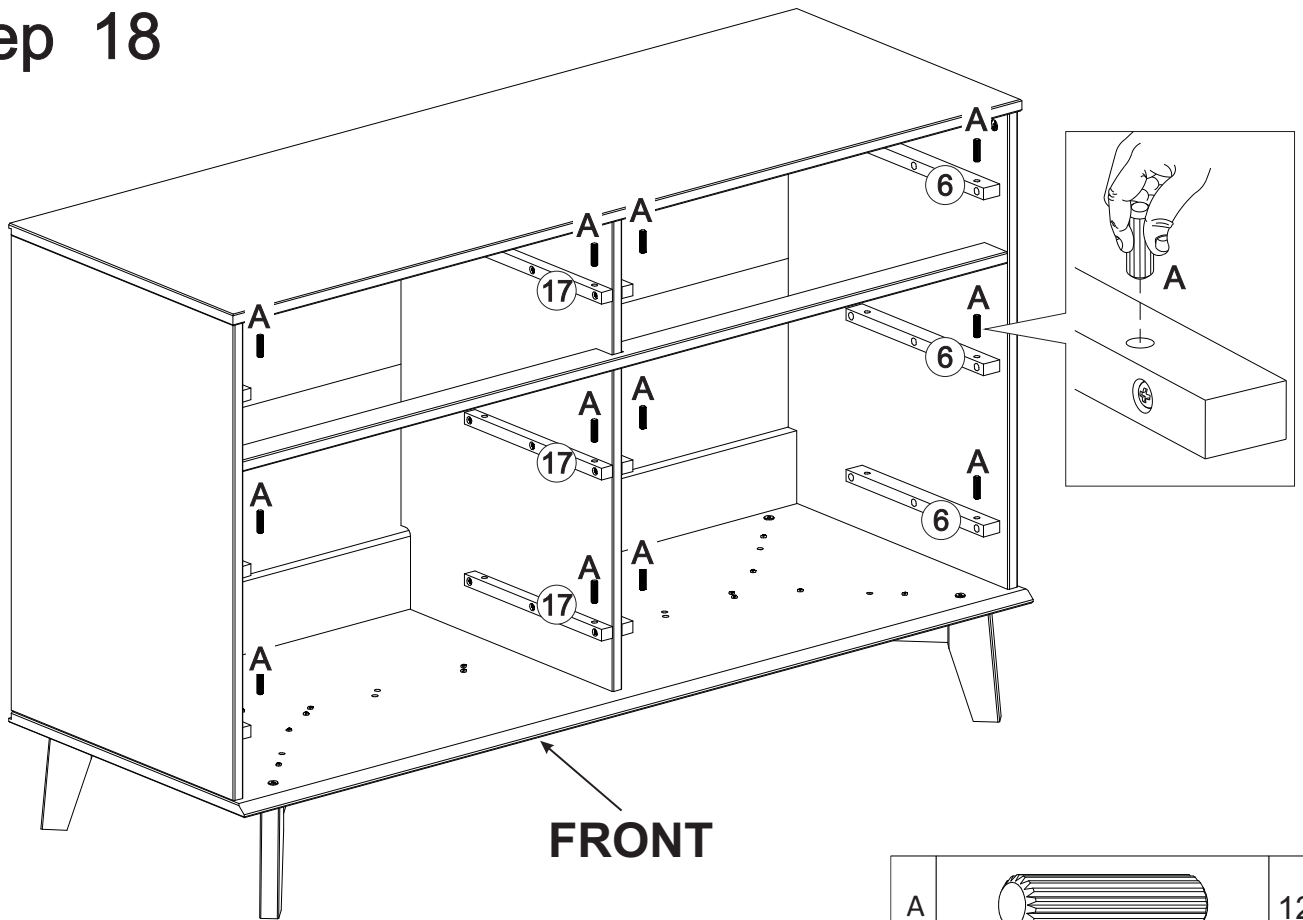
Name and address of the supplier and date of production.



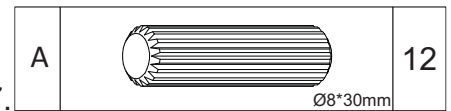
F		36
		10*7

Secure back panel 7 to the dresser back with nails (F) and hammer.

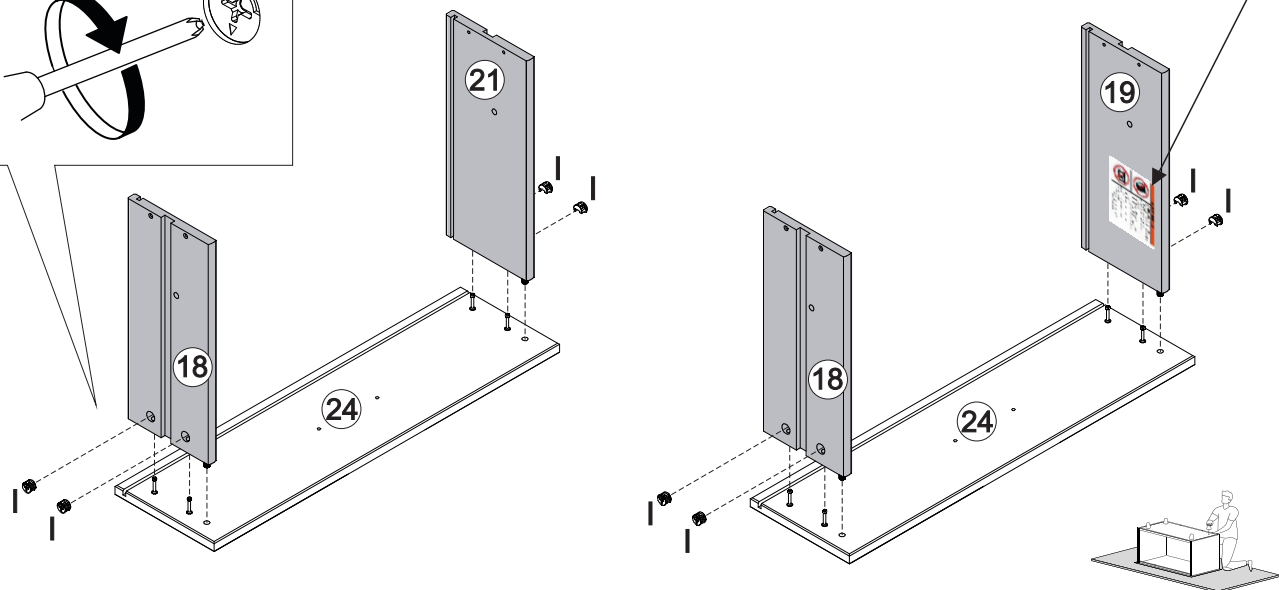
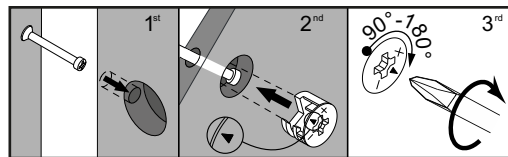
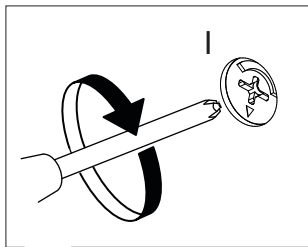
# Step 18



Insert wood dowel (A) into the front hole in the drawer rails 6 and 17.

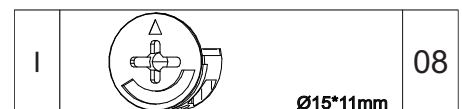


# Step 19

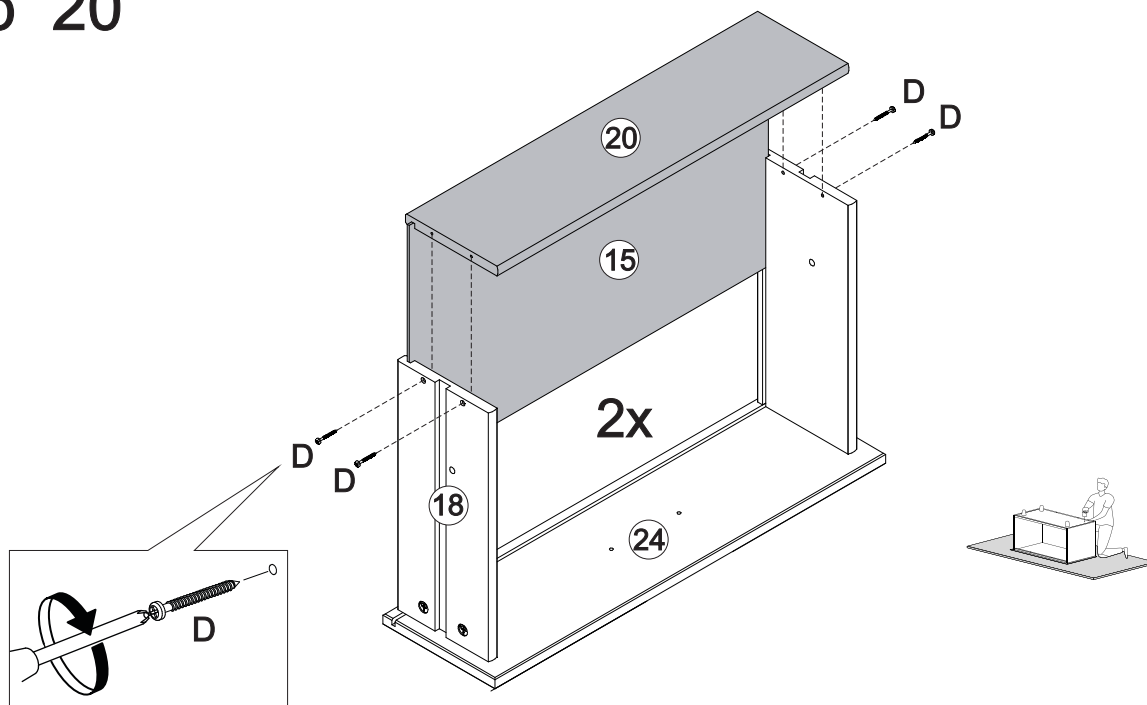


Attach part 18 and 21 to part 24. Insert Cam lock (I) into the holes in the parts 18 and 21, and attach with Phillips head screwdriver.


Attach part 18 and 19 to part 24. Insert Cam lock (I) into the holes in the parts 18 and 19, and attach with Phillips head screwdriver.



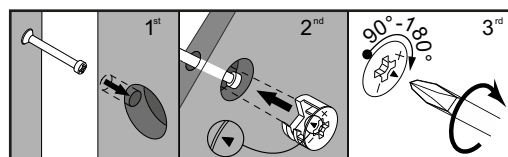
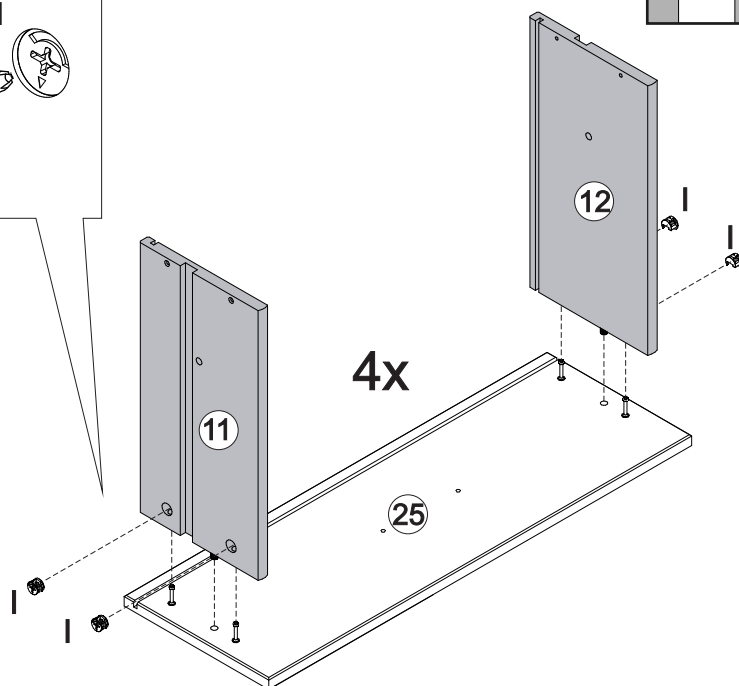
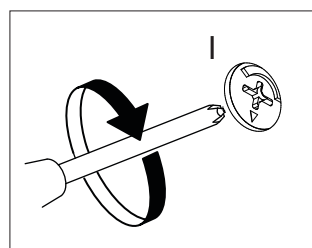
# Step 20



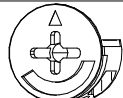
Insert panel 15 into groves and secure part 20 with screws (D) and Phillips head screwdriver.

D		08
<small>Ø3,5*30mm</small>		

# Step 21

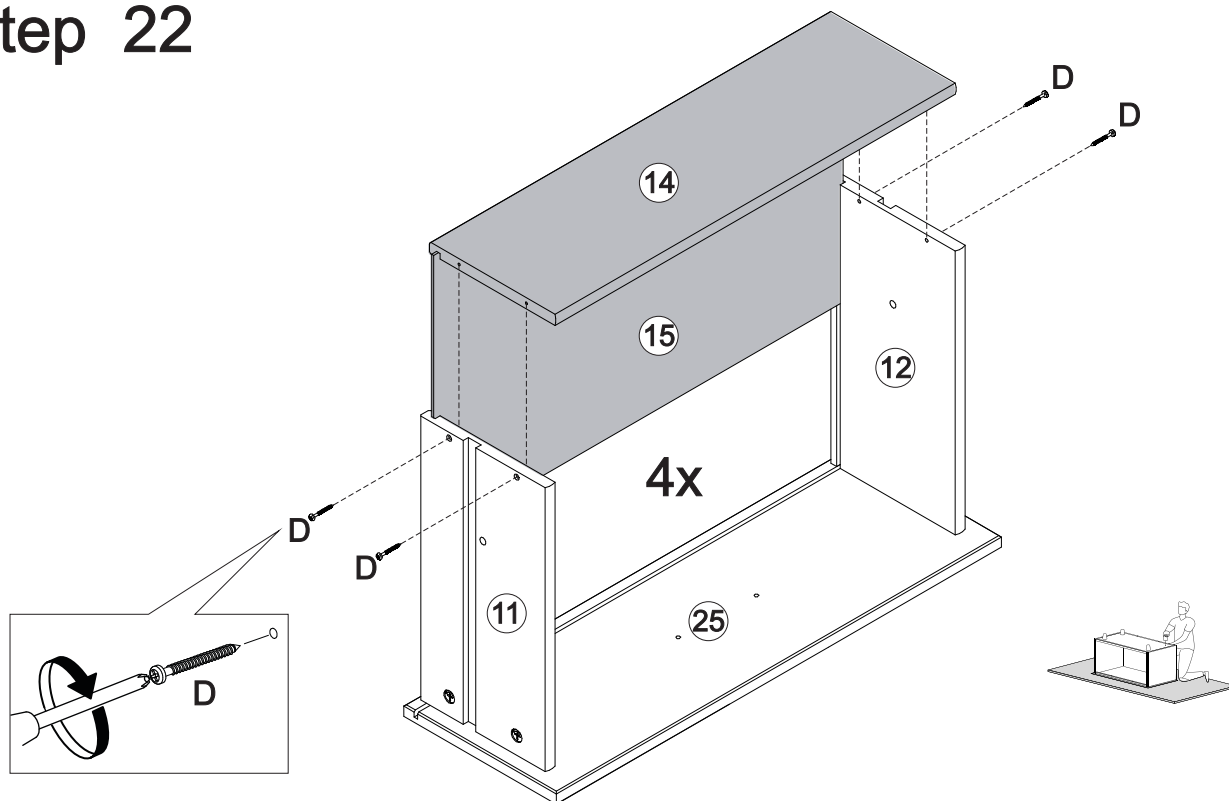


Attach part 11 and 12 to part 25. Insert Cam lock (I) into the holes in the parts 11 and 12, and attach with Phillips head screwdriver.

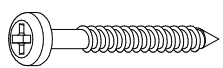
I		16
<small>Ø15*11mm</small>		



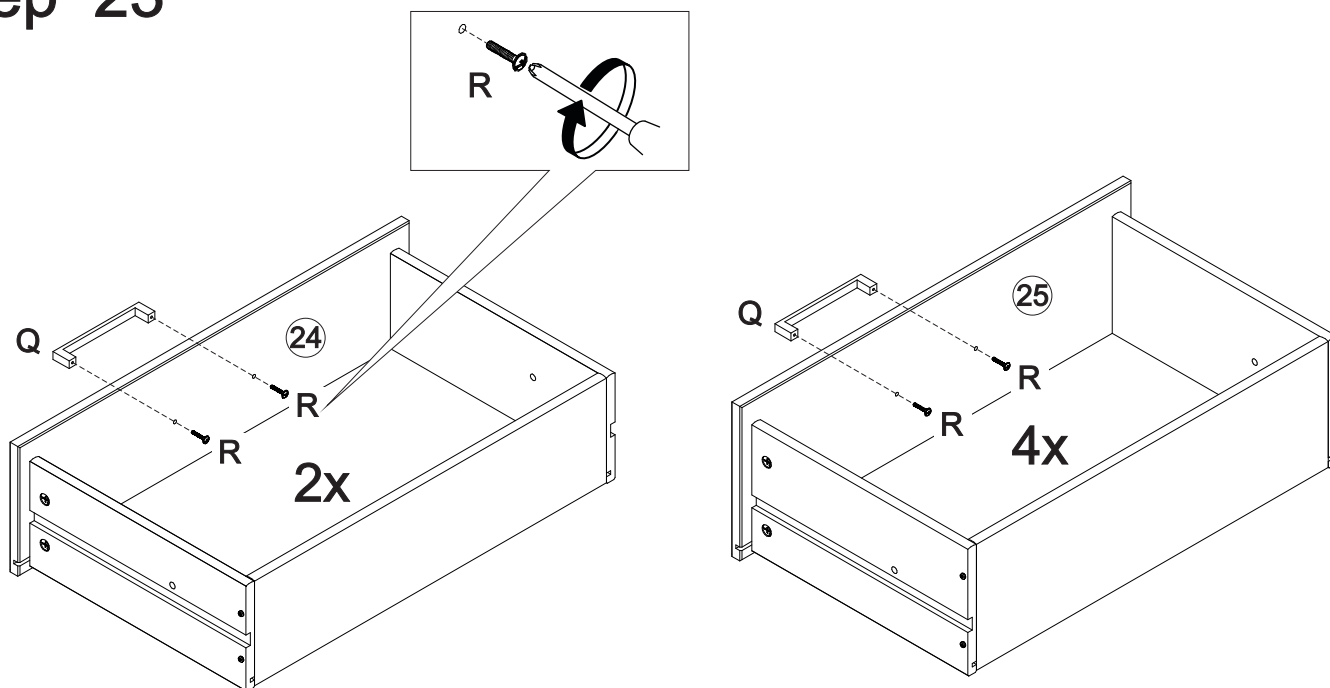
# Step 22



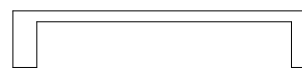

Insert panel 15 into groves and secure part 14 with screws (D) and Phillips head screwdriver.

D		16
<small>Ø3,5*30mm</small>		

# Step 23

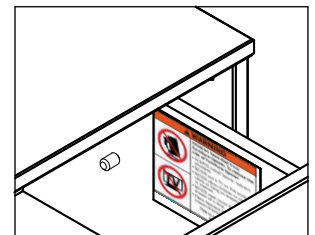
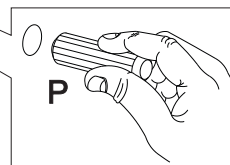
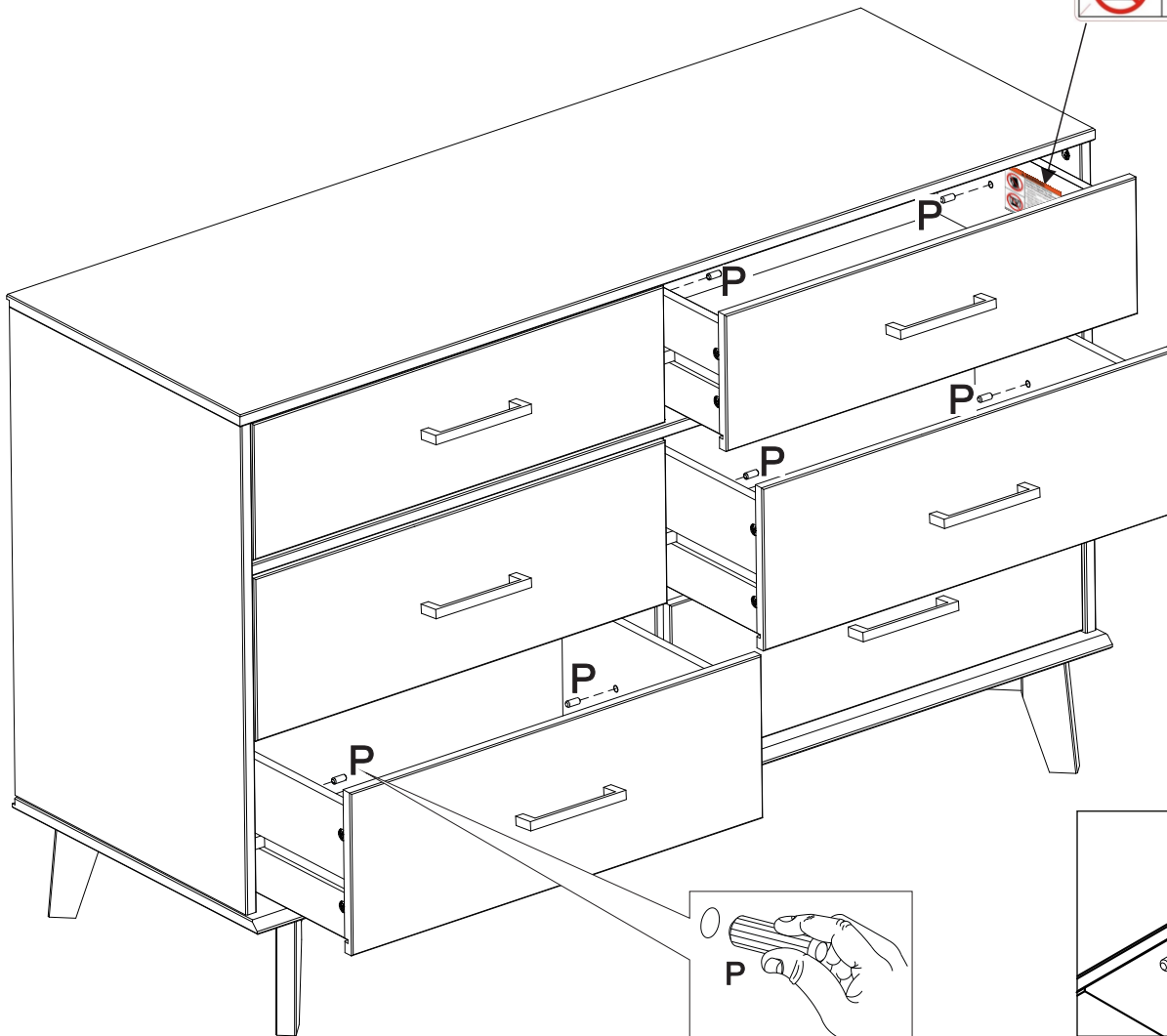


Secure handle (Q) with screws (R) and Phillips head screwdriver.

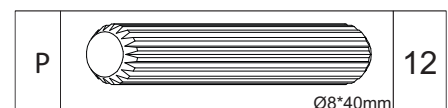
Q		06
R		12
<small>M4*22mm</small>		

# Step 24

The side drawer with WARNING LABEL, should be mounted in highest drawer.



Insert wood dowel (P) on the inside of all drawers, with the drawer inside the unit after having passed the wood dowel that is in the drawer slide. The dowel is not flush with the panel, it is a little inside the drawer to help when you need to remove the lock dowel to remove the drawer.

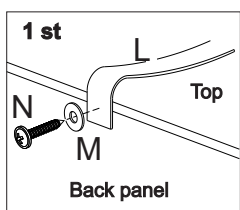


# Step 25

# WARNING

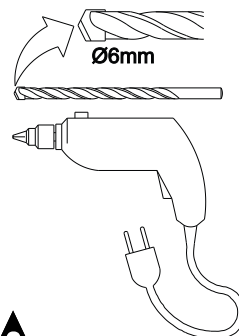
**Serious or fatal injuries can occur from furniture tipping over. To prevent the furniture from tipping over we recommend that it is permanently fixed to the wall.**

**Wall anchor and hardware are included with this product. Please make sure hardware is suitable for your walls before installing, as different wall materials may require different types of anchors.**



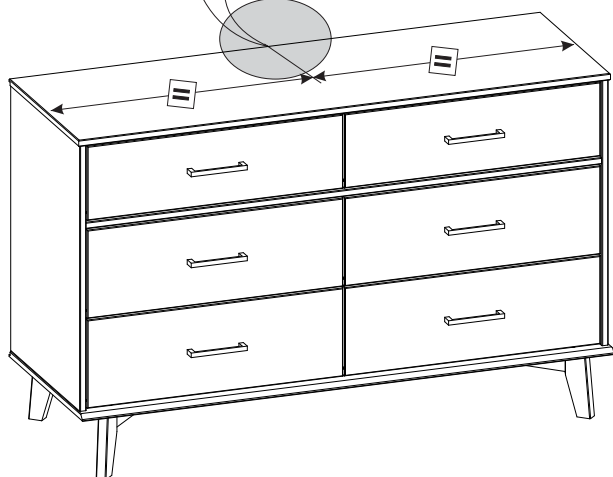
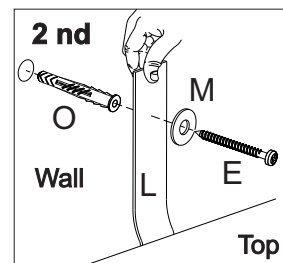
## ! 1st

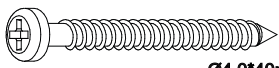

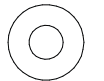
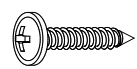
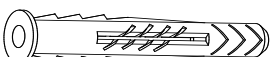
Attach part (L) with screw (N) and washer (M), in the frame of superior panel unit using Phillips head screwdriver.



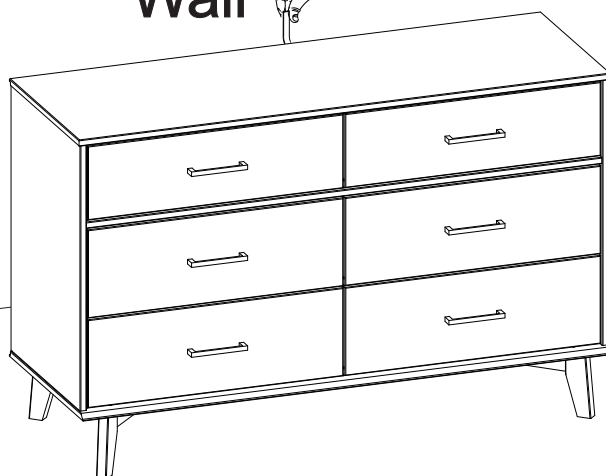
## ! 2nd

With drilling machine make one hole in the wall, insert part (O) in the hole. Secure part (L) with screw (E) and washer (M) in the wall using a Phillips head screwdriver.



E	 Ø4,0*40mm	01
L		01
M		02
N	 Ø4,0*16mm	01
O		01

Wall



Name and address information for the manufacturer responsible for the anti-tip hardware and date of production can be found on the label on the back of the furniture.

# Assembly Complete!

