

**KOHLER** Faucets MasterShower® temperature and volume control valve trim  
**Memoirs® Stately**  
 trim  
**K-T10422-4V**

**Features**

- Includes faceplate with handles
- Top handle controls volume
- Bottom handle controls temperature setting
- Supplied with ADA-compliant metal deco lever handles
- Complements Memoirs faucets and accessories

**Material**

- Premium material construction with metal handle ensures reliability and durability
- KOHLER finishes resist corrosion and tarnishing

**Installation**

- Trim only; requires valve to complete installation (sold separately)

**Required Products/Accessories**

K-2973-KS 1/2" Thermostatic Mixing Valve



**ADA** **CSA B651** **OBC**

**Codes/Standards**




ASME A112.18.1/CSA B125.1  
 ADA  
 ICC/ANSI A117.1  
 CSA B651  
 OBC

**KOHLER® Faucet Lifetime Limited Warranty**

See website for detailed warranty information.

**Available Colors/Finishes**

*Color tiles intended for reference only.*

Color	Code	Description
	CP	Polished Chrome
	BN	Vibrant® Brushed Nickel
	BV	Vibrant® Brushed Bronze

1-800-4KOHLER (1-800-456-4537)

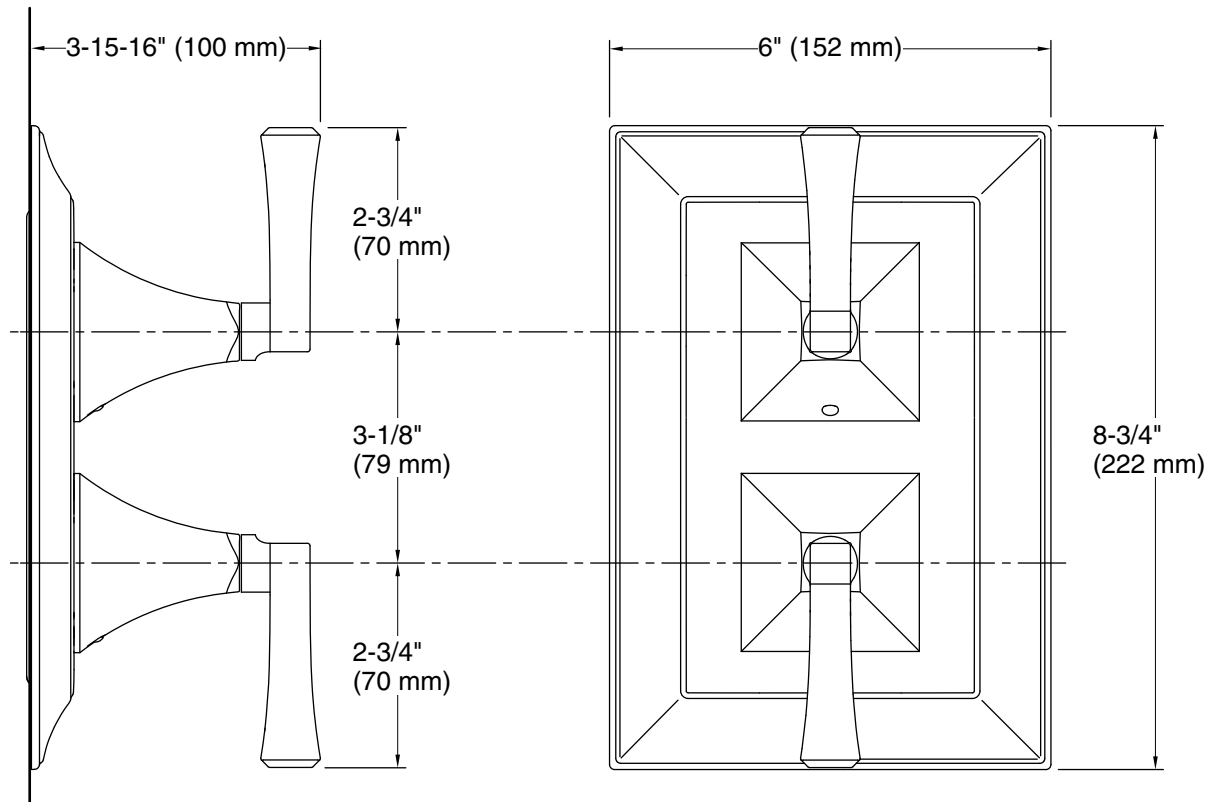
Kohler Co. reserves the right to make revisions without notice to product specifications.

For the most current Specification Sheet, go to [www.kohler.com](http://www.kohler.com) USA or [www.kohler.ca](http://www.kohler.ca) Canada

8-31-2025 20:28 - US/CA



**KOHLER** Faucets MasterShower® temperature and volume control valve trim  
**Memoirs® Stately**  
 trim  
**K-T10422-4V**



**Technical Information**

All product dimensions are nominal.

**Spout:**

**Notes**

Install this product according to the installation instructions.

ADA, OBC, CSA B651 compliant when installed to the specific requirements of these regulations.