

NICOR® | select

4" **LED** Recessed Adjustable Floating Gimbal

DGF



Directional Lighting with Selectability In Mind

DGF Select

4" LED Recessed Adjustable Floating Gimbal

All-around Accent Champion

The DGF LED Floating Gimbal Series offers an Airtight, IC rated gimbal that simplifies challenging lighting installations into easily tailored masterpieces. With five CCT Selections from 2700-5000K, the high performing light engine with off-board driver allows for more flexible installations and increased lifetime with improved thermal management. The DGF fixture uses a plenum-rated cable connector to link the downlight module to the remote driver box and then pops into place with its adjustable, spring-loaded retention tabs for a secure fit, eliminating the need for a J-box or recessed housing. Directional lighting is now easier than ever with 90° tilt and 360° rotation making the DGF perfect for architectural accents such as living rooms, hallways, stairways and corridors.

Selectable CCT

Switch located on power whip allows easy CCT Selection: 2700K, 3000K, 3500K, 4000K or 5000K



Available in Oil-Rubbed Bronze



Ultra Smooth Adjustability

90° Tilt with 360° rotation of the housing

Easy Installation

Pop in ceilings up to 1" thick with spring loaded retention arms, no housing needed



DGF Select

4" LED Recessed Adjustable Floating Gimbal

Construction

- Fully enclosed aluminum housing
- Adjustable, spring loaded retention tabs ensure secure fixture retention

Optical System

- Dual emitter COB enables CCT selection of 2700K, 3000K, 3500K, 4000K, or 5000K
- COB maintains 4-step MacAdams with $duv < \pm 0.003$
- 90+ CRI and an $R9 > 50$
- TIR optic provides smooth, uniform light with a 29° beam angle
- 90° Tilt with 360° rotation of the housing

Electrical

- 120VAC 50/60Hz input to driver
- Off-board driver/junction box includes three 1/2" KOs and three-port poke-in connectors
- Dimmable to less than 5% with compatible TRIAC dimmers
- Operating temperature rating of 0°F to 120°F (-18°C to 49°C)
- L70 Lifetime rated for greater than 54,000 hours
- LM-79, LM-80 testing performed in accordance with IESNA standards

Installation

- Spring loaded retention arms allow for easy installation into ceilings up to 1" thick with no need for a recessed housing
- Extension power cables (10', 20') available

Listings

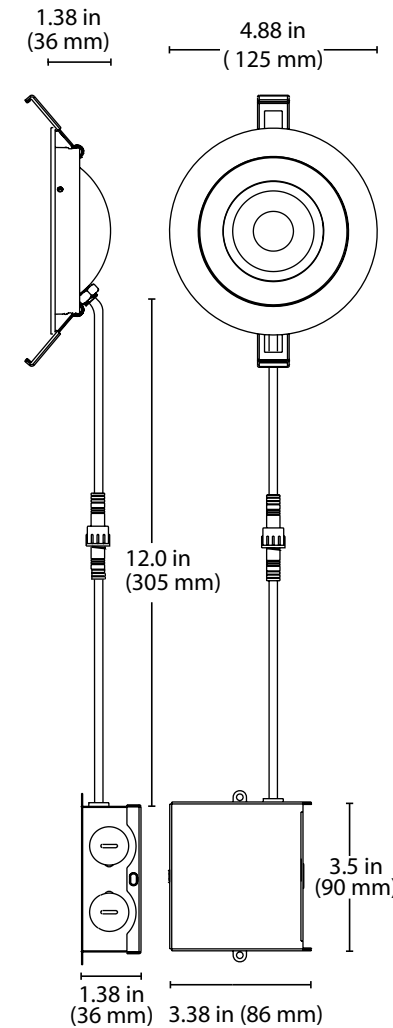
- LM-79, LM-80 testing performed in accordance with IESNA standards
- UL/cUL1598 Listed for damp locations
- Certified Type IC for direct contact with insulation
- Airtight per ASTM E283
- RoHS Compliant
- Meets FCC Part 15, Subpart B, Class B standards for conducted and radiated emissions
- LED lumen maintenance: L70(9k) > 54,000 hrs

Finish

- White or Oil-Rubbed Bronze powder coat finish

Warranty

- 5-year limited system warranty standard
- Warranty does not cover product failure due to an overvoltage event (power surge)
- For installations where power surge may be possible, NICOR recommends installing additional surge protection at the electrical distribution panel



Performance Data

CCT Setting	Lumens (Lm)	Watts (W)	Lumens/Watt
2700K	741	8.8	83.8
3000K	769	8.8	86.9
3500K	802	8.8	90.7
4000K	827	8.8	93.6
5000K	872	8.8	98.6

Ordering Information

Series	Version	Voltage	CCT	Shape	Trim Color
DGF4	1 (Version 1)	120 (V)	5 (Selectable: 27, 30, 35, 40, 50K)	RD (Round)	WH (White)
					OB (Oil-Rubbed Bronze)

Specifications and dimensions subject to change without notice.



Warehouse Locations

Albuquerque, NM
Atlanta, GA
Detroit, MI
Folcroft, PA
Houston, TX

Indianapolis, IN
Lombard, IL
Miami, FL
Syracuse, NY
Van Nuys, CA

T 800.821.6283

F 800.892.8393

www.nicorlighting.com

2200 Midtown Pl. NE
Albuquerque, NM 87107 USA



LIT-DGF-Select-10PK
20200611

©2020 NICOR® • ALL RIGHTS RESERVED

NICOR® | select