



Stargaze®
60" x 34" freestanding bath with Bask® heated surface
and straight shroud
K-24010-W1

Features

- Three heat settings allow you to customize the surface temperature
- Freestanding design creates a striking focal point in your bathing area
- Integral lumbar support on both ends
- 16" (406 mm) depth offers a deep soaking experience
- Wide deck along one side simplifies installation and provides support for getting in and out of bath
- Straight shroud
- Textured bottom surface

Material

- Acrylic

Installation

- Center drain
- Freestanding

Required Products/Accessories

- K-T37391 Rotary-turn bath drain trim
- K-T37392 Rotary-turn bath drain trim

or

- K-78438 30" cable bath drain

Recommended Products/Accessories

- K-T37393 Traditional rotary-turn bath drain trim
- K-T37395 Bath drain trim
- K-T37396 Traditional push-button bath drain trim
- K-7265 Brass toe tap bath drain
- K-23726 Drain treatment



Codes/Standards

- cUL Listed
- UL Listed

**KOHLER® Hydrotherapy
Components Five-Year Limited
Warranty**

See website for detailed warranty information.

Available Colors/Finishes

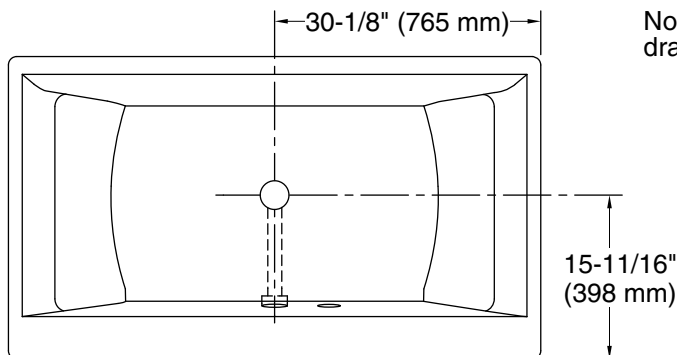
Color tiles intended for reference only.

Color Code Description

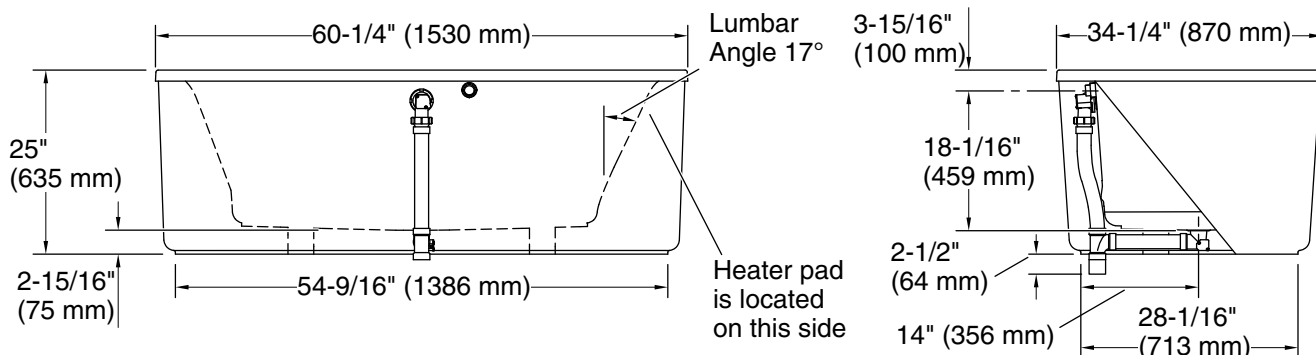
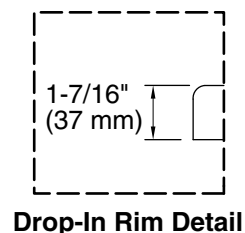
	0	White
---	---	-------



Stargaze®
60" x 34" freestanding bath with Bask® heated surface
and straight shroud
K-24010-W1



No change in measurement if connected with drain illustrated. (K-7265)



Required Electrical Service

One circuit required, protected with Class A Ground-Fault Circuit-Interrupter (GFCI). Outside North America, this device may be known as a Residual Current Device (RCD).

Heated Surface: 120 V, 15 A, 60 Hz

Technical Information

All product dimensions are nominal.

- Drain location: Center
- Basin area, bottom: 40-5/16" x 22-1/2" (1024 mm x 572 mm)
- Basin area, top: 49-3/8" x 25-7/8" (1254 mm x 657 mm)
- Weight: 156 lbs (70.8 kg)
- Minimum floor load: 54 lbs/ft² (263.7 kg/m²)
- Water depth: 16-1/16" (408 mm)
- Water capacity: 60 gal (227.1 L)
- Template: 1364289, not required, not included
- Electrical component rating: Heated Surface: 120 V, 0.5 A, 50/60 Hz, 65 W

Notes

- Measure your actual product for rough-in details.
- Install this product according to the installation instructions.
- The hot water supply should be 70% of the capacity of the bath or greater. Installations will vary.
- If installing a rim-mount faucet, make sure there is no interference above or below the deck before drilling any holes.