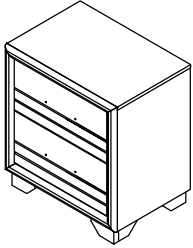


# Assembly Instruction

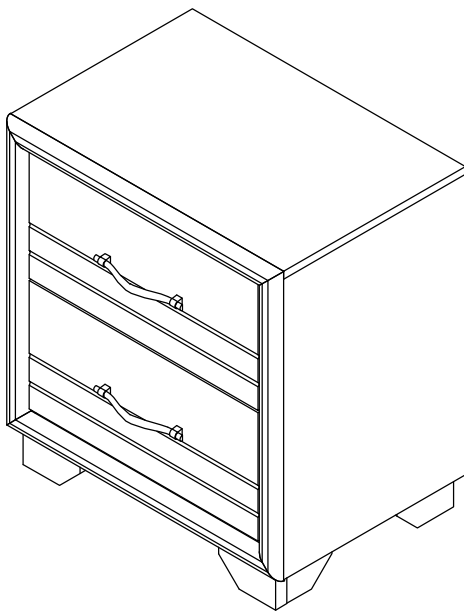
---

## A Night Stand



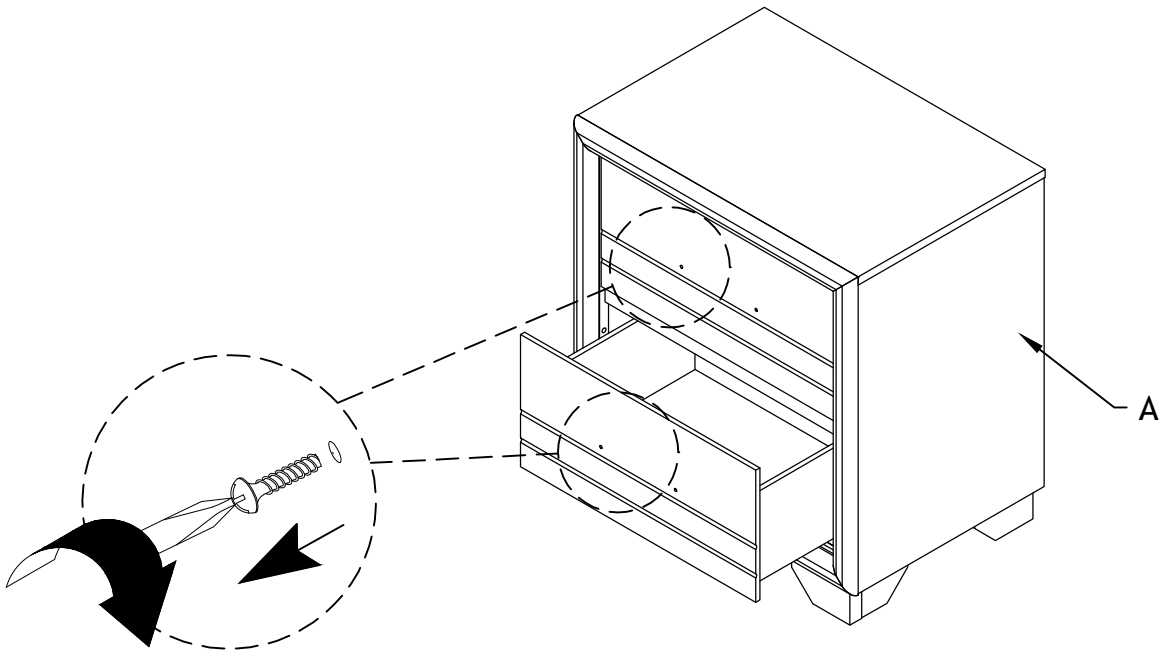
1 pc

---

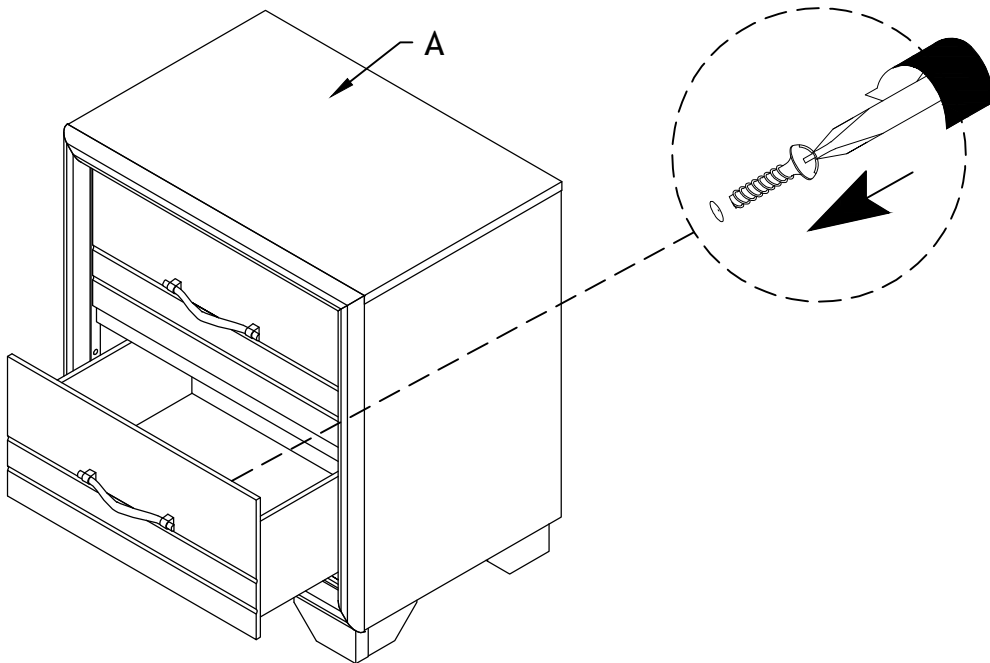


This page lists all the contents included in the box. Please take time to identify the hardware as well as the individual components to this product. As you unpack and prepare for assembly, place the contents on a carpeted or padded area to protect them from damage.

**1** Remove for 1st & 2nd drawer to re-assemble handle from inside drawer to outside drawer.



**2** Secure with handle screw and tighten them by screw driver. (NOT INCLUDED)



### Cleaning & Care

Treat surface with care. Surface is resistant to scratches but is not scratch resistant. Clean surface with a dry or damp soft cloth. Do not use abrasive cleaners. Hardware may loosen over time. Periodically check that all connections are tight.