

DIMENSIONS		THICKNESS	
UP DIAMETER	INTERNAL 286 MM. +/- 1 MM	LID	0.34 MM
UP DIAMETER	EXTERNAL 309,5 MM. +/- 0.5 MM	RING	1.2 MM
PACKAGING LID + RING	660 PIECES ( WOOD PALLETS 115X115)	STEEL TOLERANCE	EN10202
		STEEL TYPE	BES E2.8/28
WEIGHT LID	0.2346 KG		

**METAL LID**

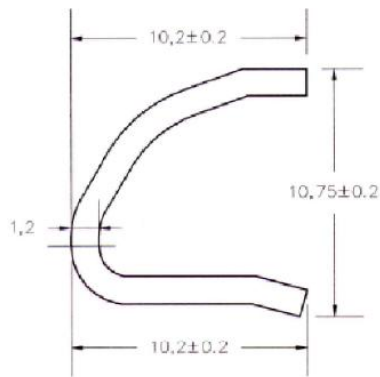
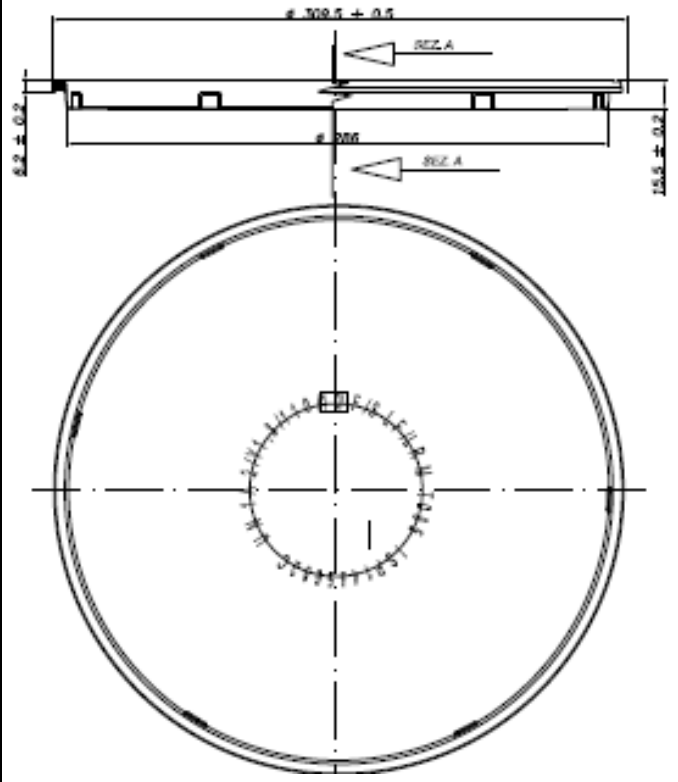
<b>PROTECTION</b>	EXTERNAL	ENAMEL WHITE
	INTERNAL	PLAIN
<b>GASKET</b>	<b>COV 53</b>	


**ZINC RING**

RING	GALVANIZED STEEL Ø 286 MM MATERIAL 24X1.2 HANDLE T38
WEIGHT RING	0.240 KG



**SECTION RING**



DISTRIBUTED BY:	REF NO.:
	DWG31554
DESCRIPTION:	
20 Liter White Unlined Tin Plate Pail Cover w/ Metal Lever Lock Ring	

DISCLAIMER

THIS INFORMATION IS PROVIDED AS A GENERAL GUIDE, INCLUDING DIMENSIONS. IT IS THE CUSTOMER'S RESPONSIBILITIES TO SELECT THE PROPER CONTAINER FOR PRODUCT AND APPLICATION COMPATIBILITY.