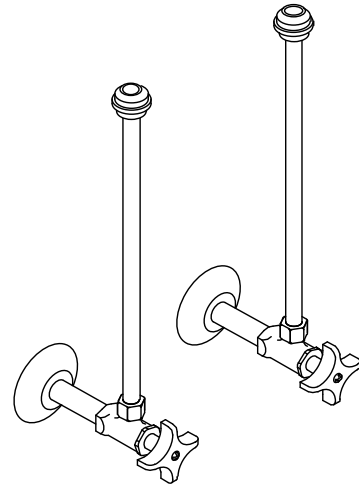


Features

- Compression valve
- Pair of angle supplies with stop
- Annealed vertical tube with union connection
- 1/2" NPT connection with flange
- Four-arm handle stop

Material

- Brass



Codes/Standards

ASME A112.18.1/CSA B125.1
NSF/ANSI/CAN 61
NSF/ANSI/CAN 372

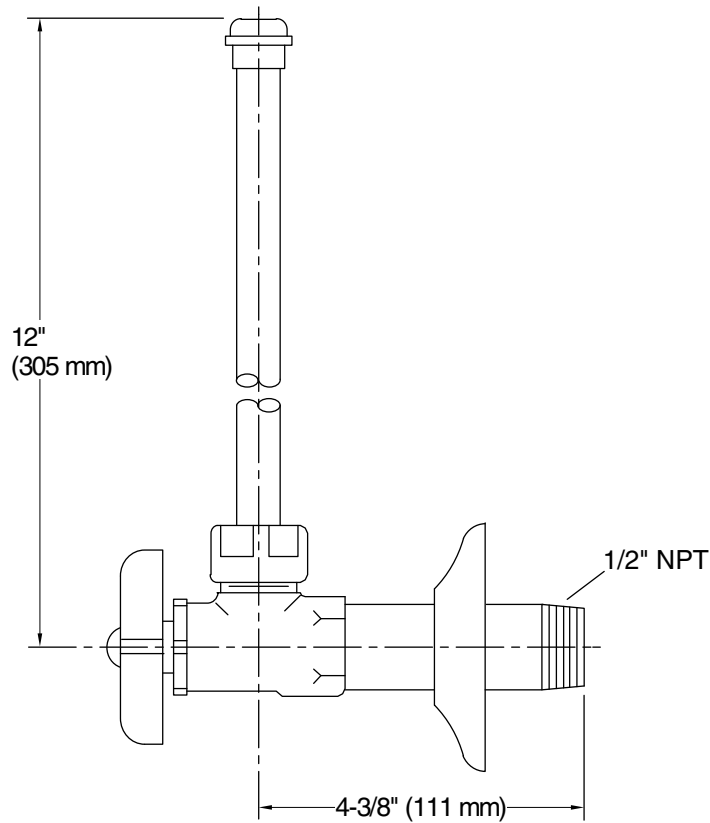
KOHLER® One-Year Limited Warranty

See website for detailed warranty information.

Available Colors/Finishes

Color tiles intended for reference only.

Color	Code	Description
	CP	Polished Chrome
	BL	Matte Black
	2MB	Vibrant® Brushed Moderne Brass



Technical Information

All product dimensions are nominal.

Material: Brass

Notes

Install this product according to the installation instructions.