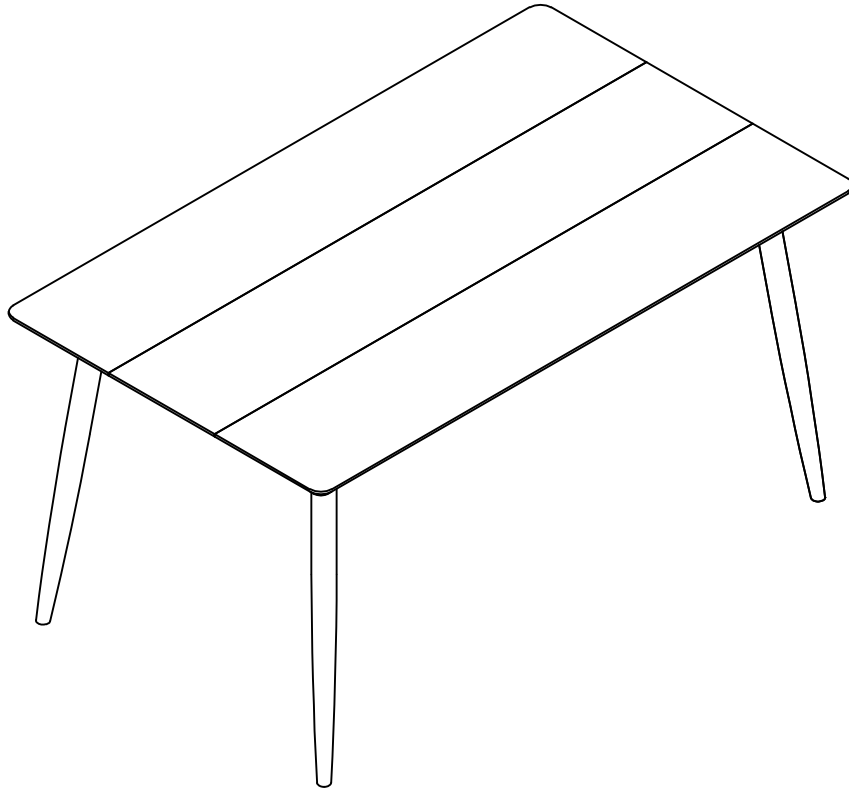


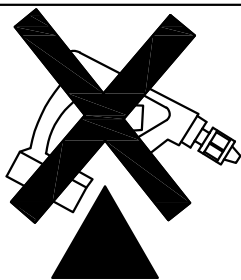
ASSEMBLY INSTRUCTION

DINING TABLE

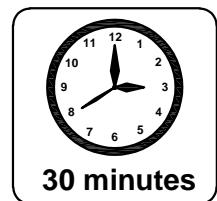
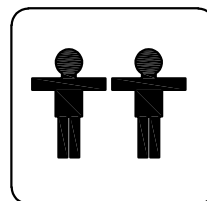


REPLACEMENT PARTS

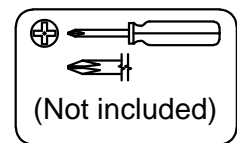
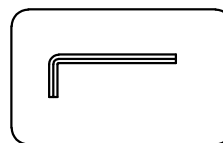
Please do not contact the company purchased from as we can help you faster.
Order replacement parts and hardware at "www.boltonfurniture.com"



- . Use of power tool to assemble this product will invalidate any claim and damage this product making it unsafe !!!
- . Please assemble on a clean soft surface to avoid damage.

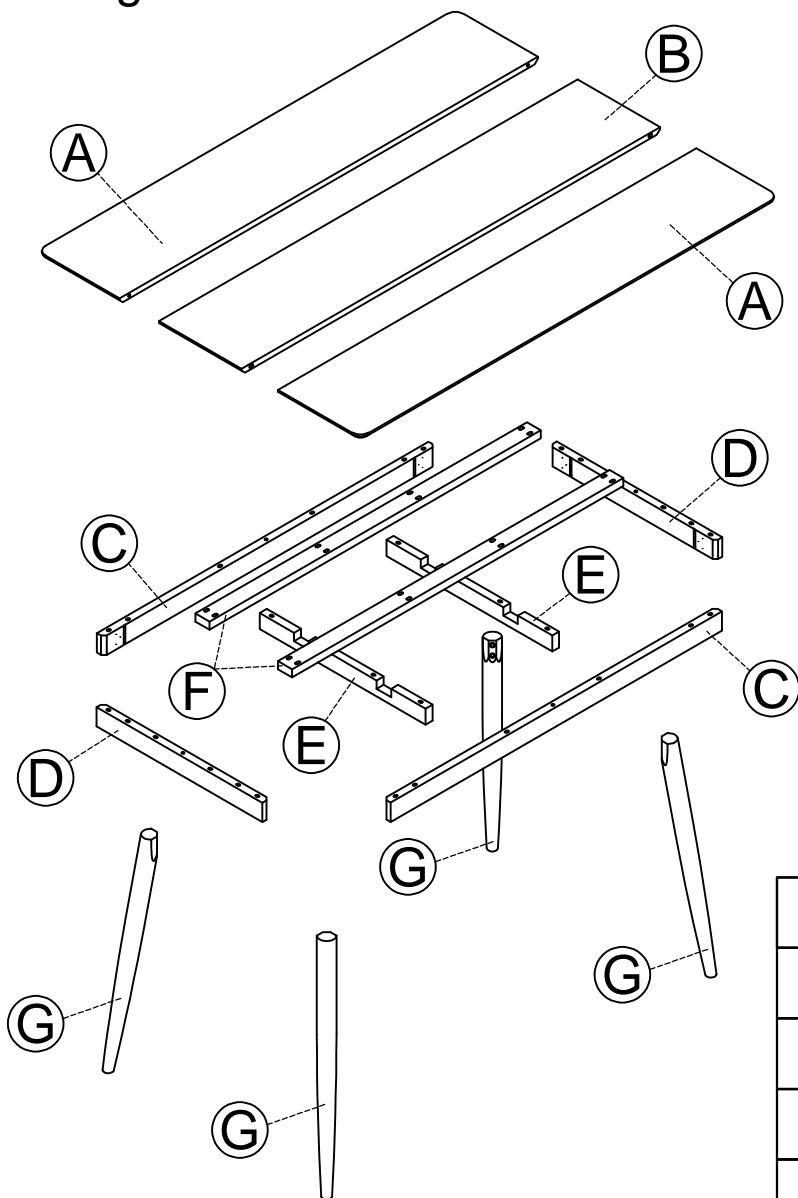


Tools Required




www.boltonfurniture.com


Part list - Dining table





QTY			
(A)	2	(B)	1
(C)	2	(D)	2
(E)	2	(F)	2
(G)	4		


Identifying the hardware-Identify the hardware using the illustrations below


1  16
M6 x 35MM BOLT


2  8
M6 x 50MM BOLT

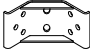
3  24
M6 x 60MM BOLT


4  8
M8 x 50MM BOLT


5  8
Ø19*Ø8*1MM


6  8
Ø12*Ø8*1MM

7  8
Ø8 x 30 DOWEL

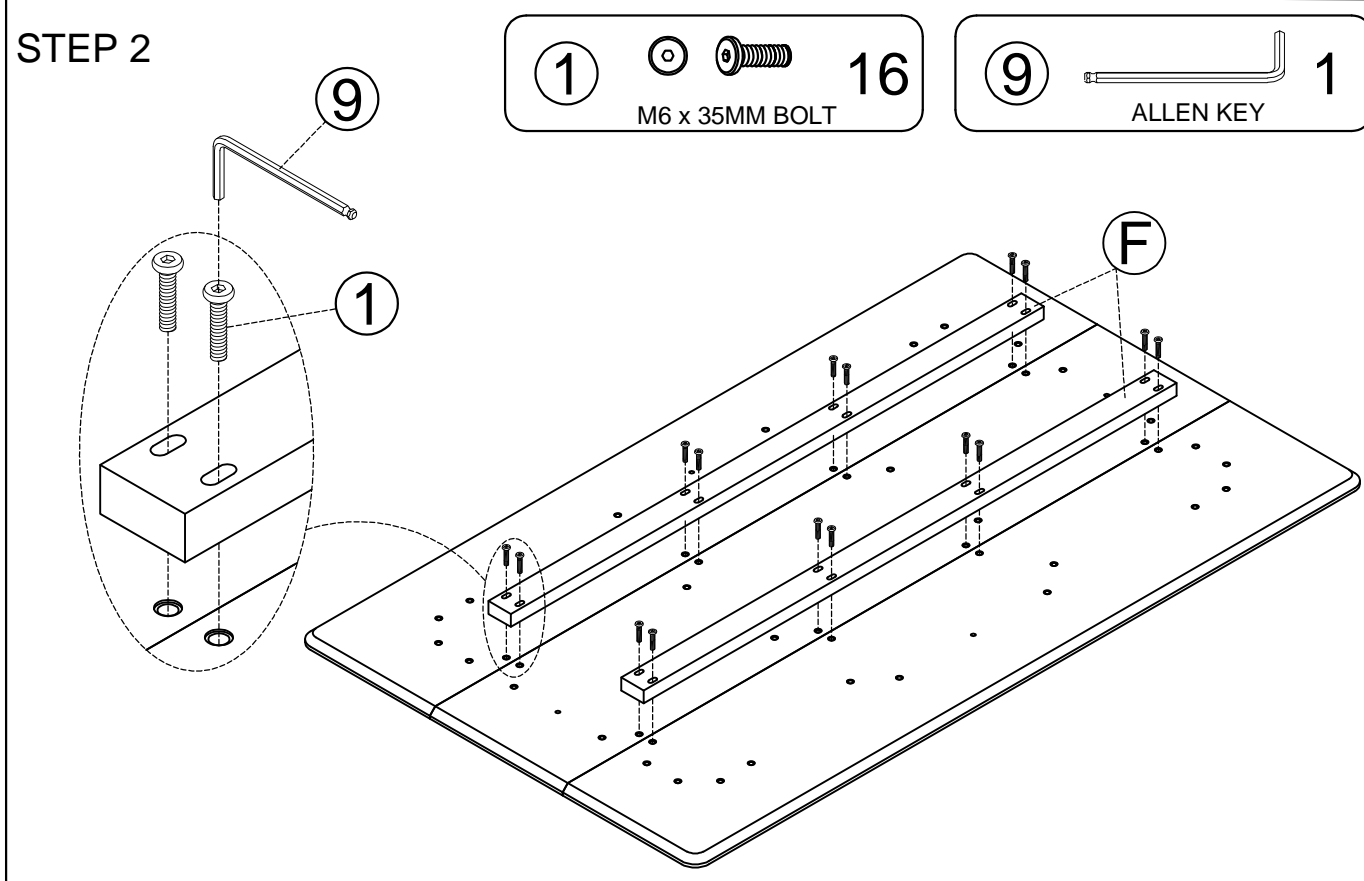
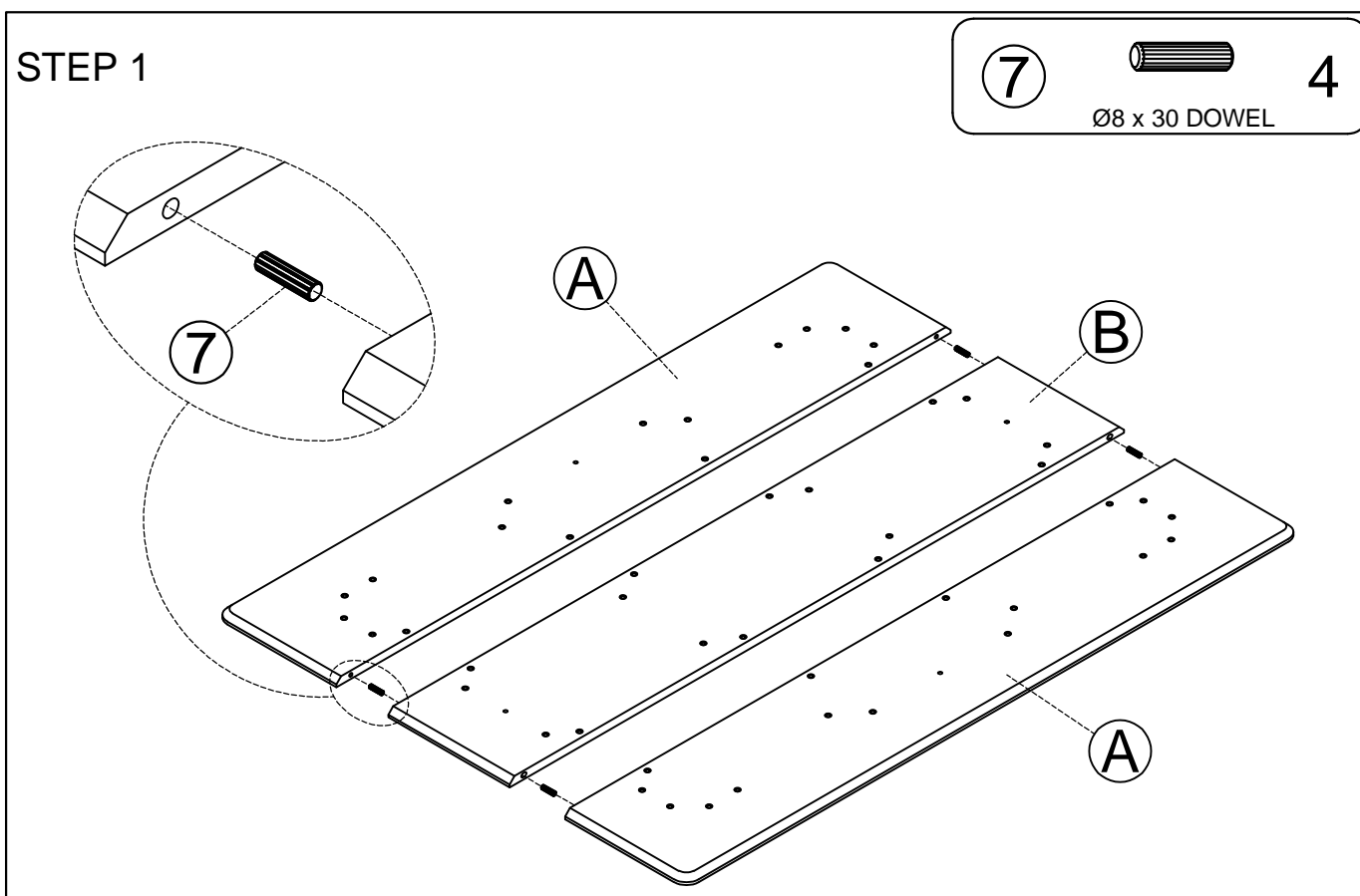
8  4
Corner metal bracket

9  1
ALLEN KEY

10  24
M4 X 20 SCREW

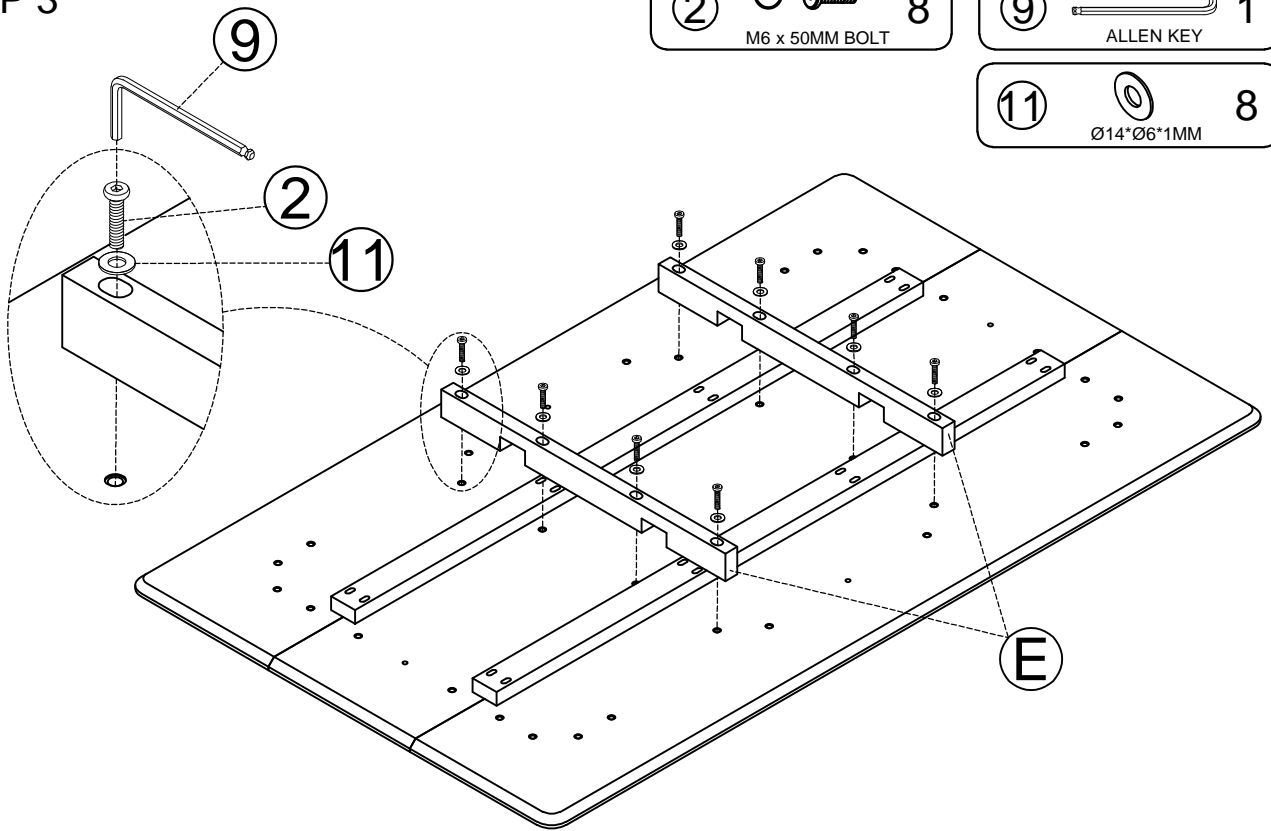
11  32
Ø14*Ø6*1MM

ASSEMBLY DESCRIPTION

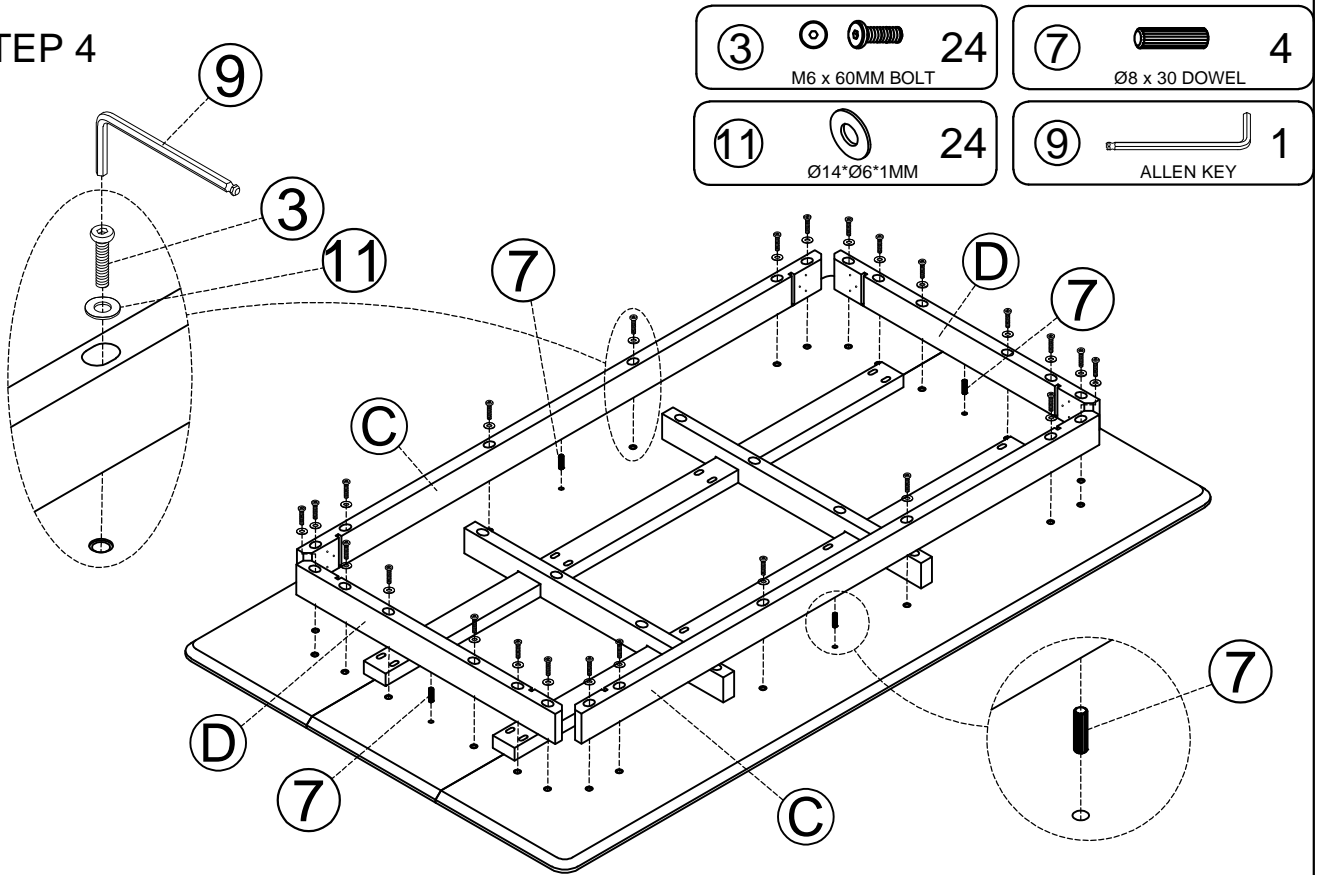


ASSEMBLY DESCRIPTION

STEP 3



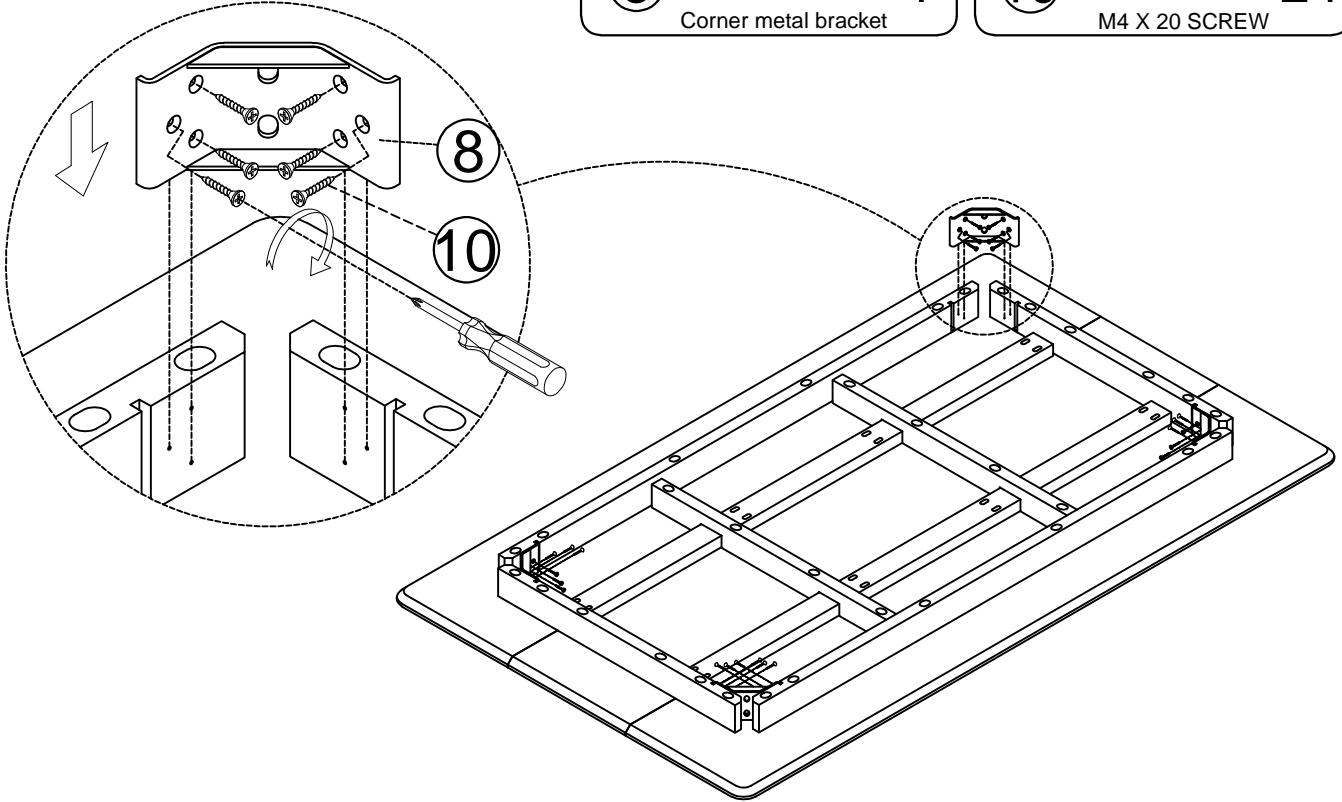
STEP 4







ASSEMBLY DESCRIPTION

STEP 5

8		4	10		24
Corner metal bracket					
		M4 X 20 SCREW			



STEP 6

4		8	5		8	6		8
M8 x 50MM BOLT		Ø19*Ø8*1MM		Ø12*Ø8*1MM				
9		1						
ALLEN KEY								

