

NEWPORT BRASS

NEWPORT BATH

1/2" IN-WALL DIVERTER VALVE

1-703

Features

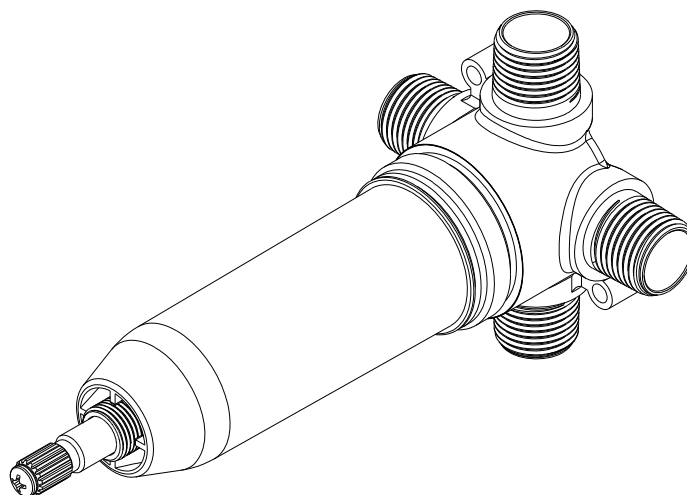
- Solid brass construction
- 1/2" In-wall diverter valve, 3 function with pause. 1 inlet, 3 outlets
- Requires Newport Brass Handle Trim (many options available, sold separately)




Codes / Standards Compliance

Meets or exceeds the following at date of manufacture:

- ASME A112.18.1/CSA B125.1
- IAPMO/cUPC
- IPC
- California Energy Commission
- All applicable US Federal and State material regulations

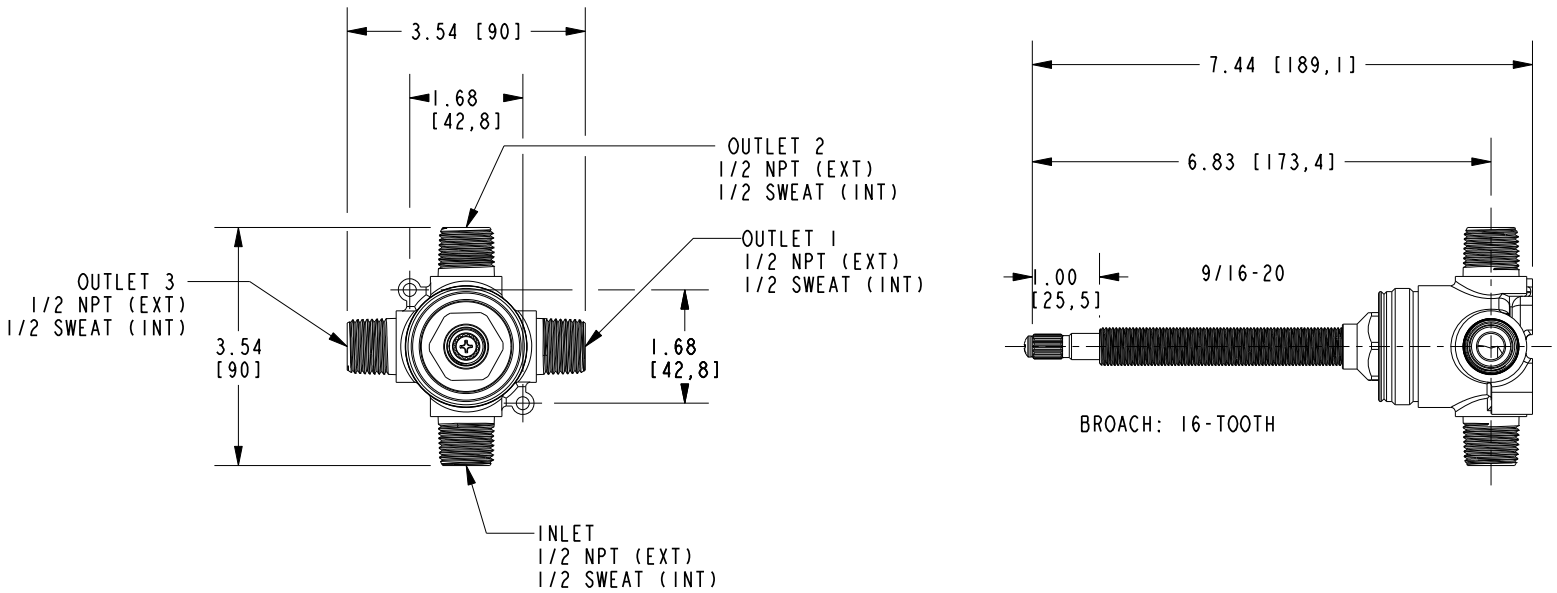


OPTIONAL ACCESSORY	
System Element	Stem Extension
Description	Stem Extension Kit
Part Number	1-384
Image	

NEWPORT BRASS

PRODUCT DIMENSIONS *(Units are in inches)*

Product Dimensions are provided for reference only. For specific product installation guidelines, please reference the Installation Instructions of the product being installed.



1/2" IN-WALL DIVERTER VALVE

1-703