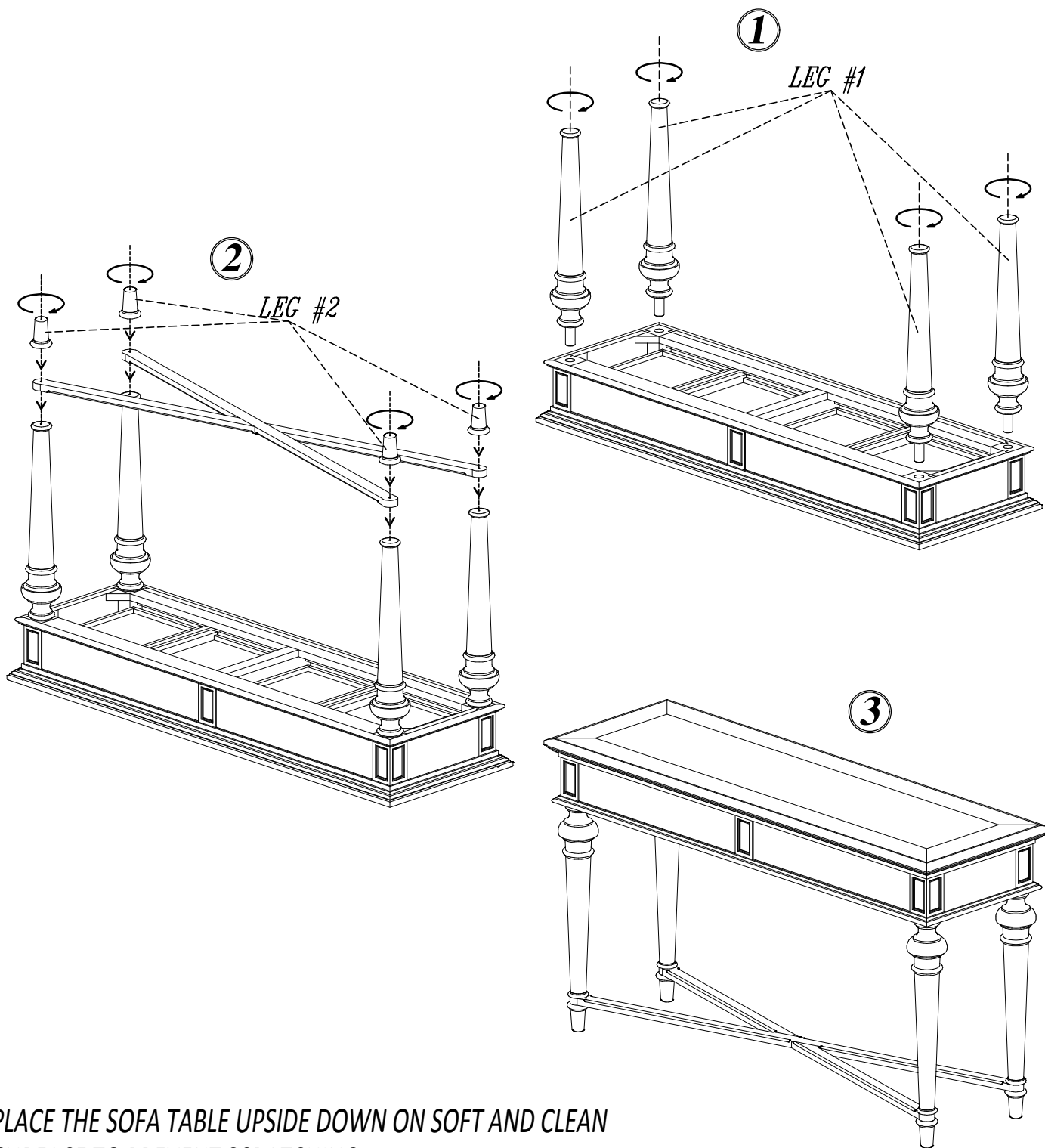


HEKMAN

A HOWARD MILLER COMPANY

ASSEMBLY INSTRUCTIONS

25206 - SOFA TABLE



PLACE THE SOFA TABLE UPSIDE DOWN ON SOFT AND CLEAN SURFACE TO PREVENT SCRATCHING

1. ATTACH THE FOUR LEGS (#1) TO THE TABLE TOP
2. ASSEMBLE THE X STRETCHER TO THE FOUR LEGS (#1), WITH FEET (#2)
3. SET THE SOFA TABLE UPRIGHT

MADE IN INDONESIA