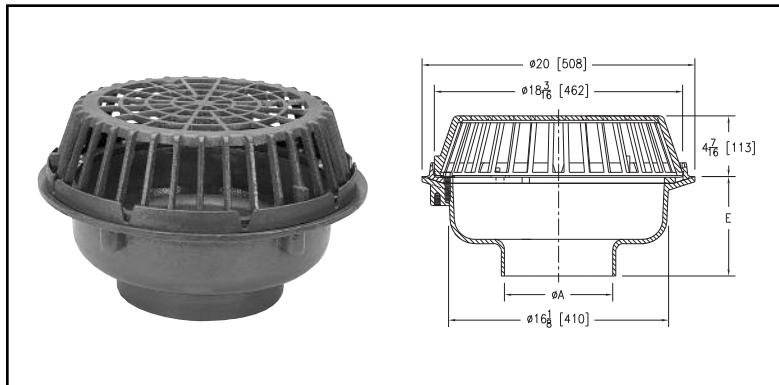


Z101 HIGH CAPACITY 20" [508 mm] DIAMETER MAIN ROOF DRAIN Low Silhouette Dome



A Pipe Size Inches [mm]	Approx. Wt. Lbs. [Kg]	Dome Open Area Sq. In. [cm ²]
8 [203]	77 [35]	216 [1393]
10 [254]	78 [35]	
12 [305]	79 [36]	

ENGINEERING SPECIFICATION: ZURN Z101 20" [508 mm] diameter roof drain, Dura-Coated cast iron body with combination membrane flashing clamp/gravel guard and low silhouette cast iron dome.

OPTIONS

OUTLETS (Specify pipe size in inches and type of outlet.)

OUTLET TYPE	OUTLET DESIGNATION Pipe Size/Outlet Type	'E' BODY HT. DIM. In./[mm]
No Hub	8NH, 10NH, 12NH	7-5/16" [186 mm]

PREFIXES

Z D.C.C.I. Body with Cast Iron Dome*

SUFFIXES

- AR Acid Resistant Epoxy Coated Finish
- DP Top-Set® Roof Deck Plate (Replaces both the -C and -R)
- E Static Extension 1" [25 mm] thru 4" [102 mm] (Specify Height)
- G Galvanized Cast Iron
- W2 2" [51 mm] Internal Water Dam
- W3 3" [76 mm] Internal Water Dam
- W4 4" [102 mm] Internal Water Dam
- 89 2" [51 mm] High External Water Dam

*Regularly furnished unless otherwise specified.