

# Installation Instructions

## Cleansing Seat

Record your model number:

Noter le numéro de modèle:

Anote su número de modelo: \_\_\_\_\_

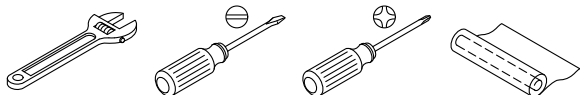
Français, page 14

Español, página 28

**KOHLER**®

## Tools and Materials


---





Plastic Wrap


## Before You Begin


---

 **WARNING: Risk of electric shock.** Connect only to a circuit protected by a Class A Ground-Fault Circuit-Interrupter (GFCI)\*, which protects against line-to-ground shock hazard. Use 120 V, 60 Hz, 15 A service.

 **WARNING: Risk of electric shock.** Do not immerse or flush the product with water.

 **CAUTION: Risk of product damage.** Do not install this product in a location exposed to excessive moisture where condensation might form on the product surface. Provide adequate ventilation when bathing to avoid damage to the electronic components due to high humidity levels.

 **CAUTION: Risk of product damage.** Do not supply electrical power to the unit until the plumbing installation work has been completed, as it may cause the product to malfunction.

 **CAUTION: Risk of property or product damage.** Pushing or pulling on the water connection may cause water leakage.

**NOTE:** The thermal protectors may trip during storage or transportation in warm weather causing the unit to not operate. Allow the unit to cool to room temperature before installation or operation.

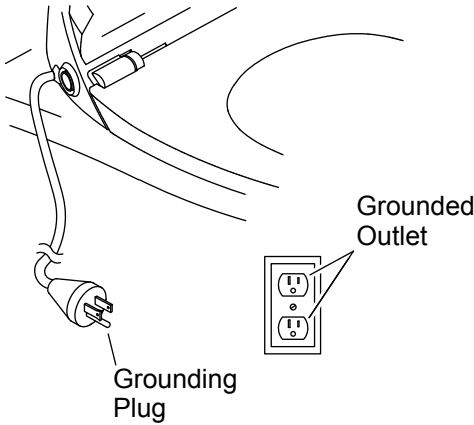
Follow all local plumbing and electrical codes.

Connect the seat to a cold water supply of drinking quality with a pressure of 20 psi (139 kPa) - 80 psi (551 kPa).

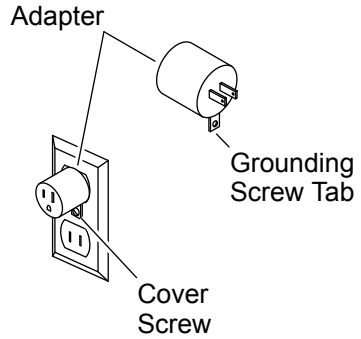
\*Outside North America, this may be known as a Residual Current Device (RCD).

# Grounding Instructions

---



**Preferred Connection**



**Temporary Connection**



**WARNING: Risk of electric shock.** Connect only to a circuit protected by a Class A Ground-Fault Circuit-Interrupter (GFCI)\*, which protects against line-to-ground shock hazard. Use 120 V, 60 Hz, 15 A service.

This product should be grounded. In the event of an electrical short circuit, grounding reduces the risk of electric shock by providing an escape wire for the electric current. This product is equipped with a cord having a grounding wire with a grounding plug. The plug must be plugged into an outlet that is properly installed and grounded.



**DANGER: Risk of electric shock.** Improper use of the grounding plug can result in a risk of electric shock.

If repair or replacement of the cord or plug is necessary, do not connect the grounding wire to either flat blade terminal. The wire with insulation having an outer surface that is green with or without yellow stripes is the grounding wire.

Check with a qualified electrician or service personnel if the grounding instructions are not completely understood, or if in doubt whether the product is properly grounded.



**CAUTION: Risk of property damage.** A single extension cord may be used provided that the cord "Type" begins with "SJ", the cord is a 12 gauge, grounded (12/3), is no longer than 25 feet (7.6 meters), and is plugged into a GFCI\* electrical outlet. Promptly replace any extension cord that exhibits any sign of damage.

\*Outside North America, this may be known as a Residual Current Device (RCD).

**NOTICE:** Follow local codes when determining the connection type. The temporary connection may not be permitted by local electrical codes.

**NOTICE:** To avoid possible product malfunction, do not plug in the seat until instructed.

### **Preferred Connection**

Connect the grounding plug into a grounded outlet that has the same configuration as the plug.

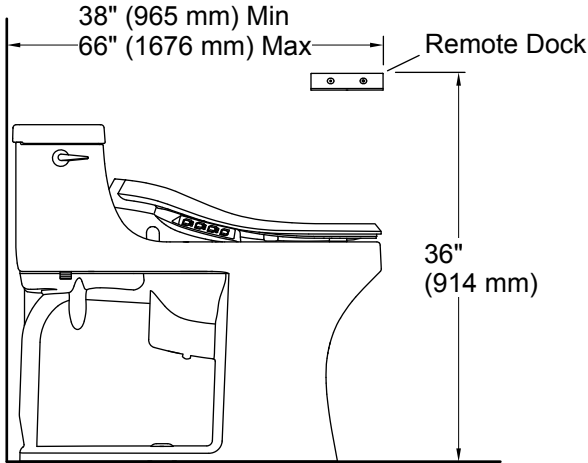
### **Temporary Connection**

**NOTICE:** Unless the outlet cover screw is grounded through the house wiring, attaching the adapter grounding screw tab to the cover screw will NOT ground the unit. If there is any doubt whether the cover screw is grounded, have it checked by a qualified electrician or service professional.

A temporary connection with a two-prong adapter may be used where local codes permit, provided the adapter is grounded.

# 1. Preparation

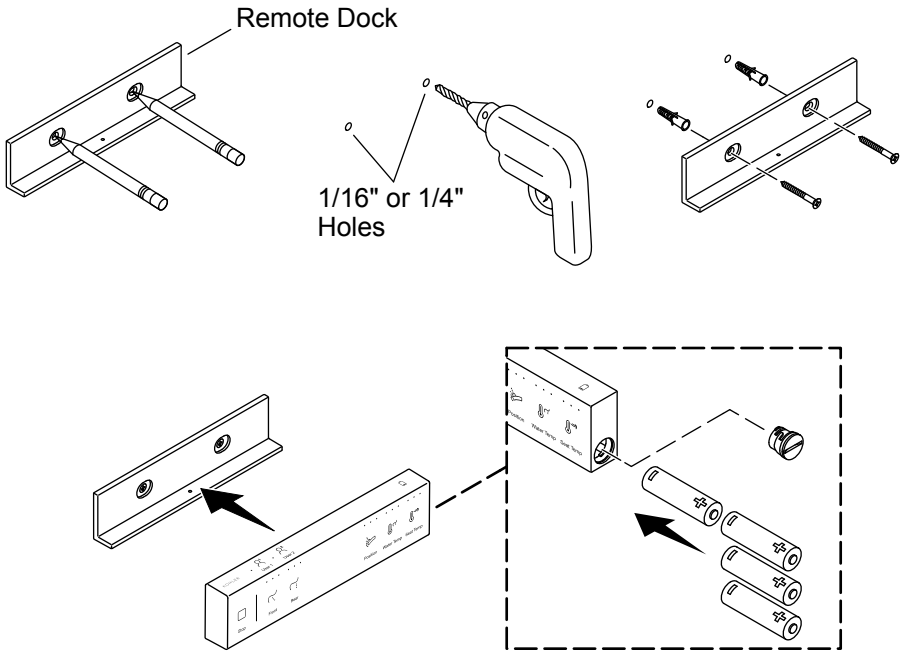
---



- If applicable, remove the existing toilet seat.
- Turn OFF the water supply to the toilet.
- Flush the toilet to relieve any pressure from the supply hose.
- Disconnect the water supply hose from the toilet fill valve.
- Determine the installation location for the remote control docking station on the wall. If no remote control is provided, continue to the “Install an Electrical Outlet” section.

## 2. Install the Remote Dock

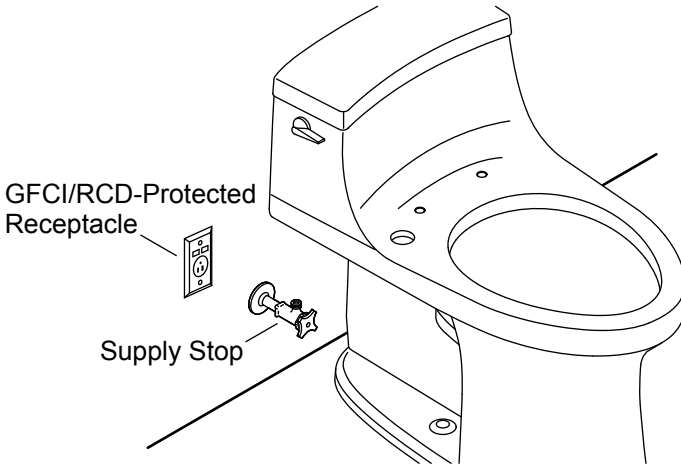
---



- Position the remote dock at the desired mounting location.
- Confirm that the remote dock is level.
- Using a pencil, mark the two mounting-hole locations. Set the remote dock aside.
- For installation into a stud or other wood surface:** Drill a 1/16" hole at each of the marked locations.
- For installation using wall anchors:** Drill a 1/4" hole at each of the marked locations. Install the provided wall anchors into the holes.
- Position the remote dock over the anchors or marks. Secure the remote dock with the provided screws.
- Open the battery compartment on the remote control.
- Install the four provided AA batteries in the orientation shown.
- Place the remote control on the remote dock.

### 3. Install an Electrical Outlet

---



**⚠ WARNING: Risk of electric shock.** Connect only to a circuit protected by a Class A Ground-Fault Circuit-Interrupter (GFCI)\*, which protects against line-to-ground shock hazard. Use 120 V, 60 Hz, 15 A service.

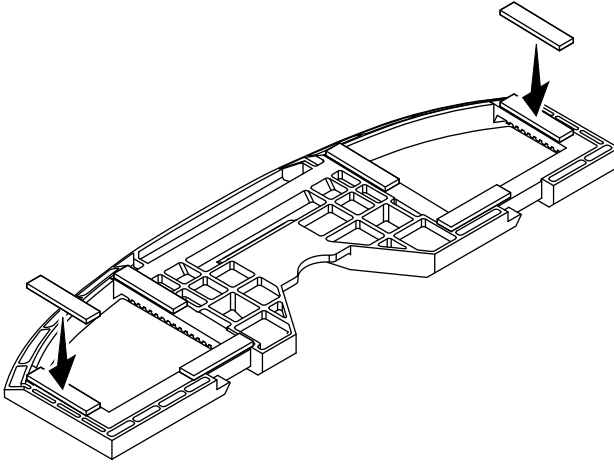
\*Outside North America, this may be known as a Residual Current Device (RCD).

**NOTE:** Follow local codes when determining the electrical outlet location.

- Install a 120 V GFCI- or RCD-protected electrical outlet within 32" (813 mm) of the toilet to accommodate the length of the power cord.
- Do not plug in the seat until instructed to do so.

## 4. Install Additional Pads (Optional)

---

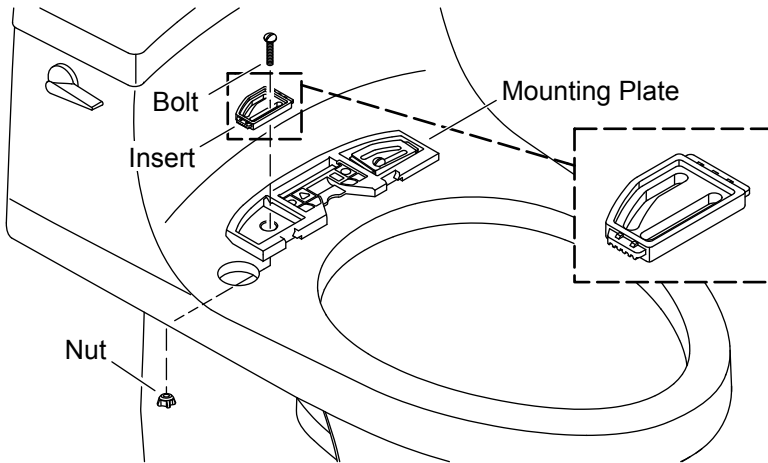


**NOTE:** Additional pads (provided) may be needed to ensure the mounting bracket sits flat on the mounting surface of the toilet if the mounting surface is not level.

- On the underside of the mounting plate, adhere an additional pad over the existing pad at each end.
- Verify that the mounting plate sits flat on the toilet. Add additional pads as needed.

## 5. Install the Mounting Plate

---



- Position the mounting plate over the mounting holes on the bowl.
- Position the left and right inserts in the grooves on the mounting plate.

### Toilets with Threaded Mounting Holes

- Insert the bolts through the inserts and thread into the mounting holes.
- Do not fully tighten at this time.

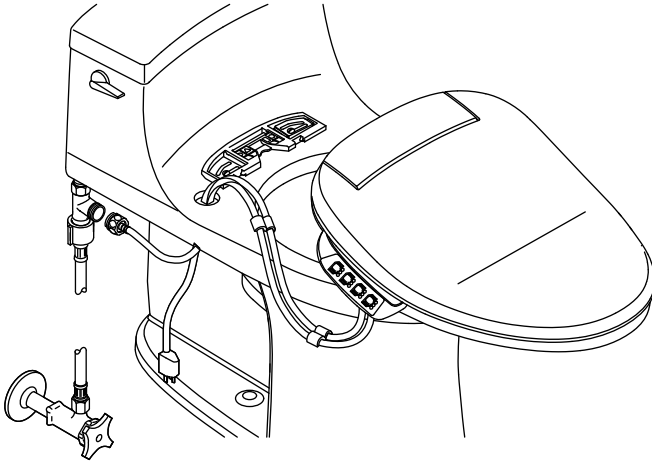
### All Other Installations

**NOTE:** There are two slots in each insert to help align the seat with the bowl. Only one slot will be used on each insert.

- Insert the bolts through the slot in the inserts and into the mounting holes. Choose the slot that best aligns the seat with the front edge of the bowl.
- Thread a nut onto each bolt.
- Do not fully tighten at this time.

## 6. Install the Power Cord and Water Line

---



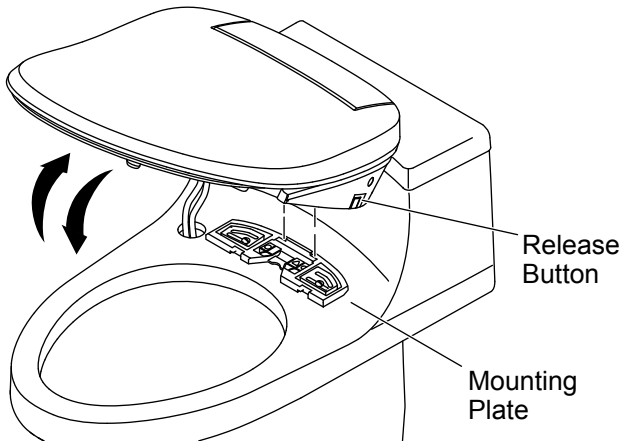
**NOTE:** Use the water line that is supplied with the toilet.

**NOTE:** Make sure that the cord routing does not interfere with the fill valve connection.

- Install the water line to the white inlet port on the underside of the seat.
- Run the power cord through the hole in the rim of the toilet.
- Run the water line through the hole in the rim of the toilet.

## 7. Install the Seat

---



### Position the Seat

- Engage the rear edge of the seat with the lip on the mounting bracket. Tilt the seat down to lock in place.
- Check the positioning of the seat. Adjust the position as needed until the seat aligns with the front edge of the bowl.

### Adjust the Seat

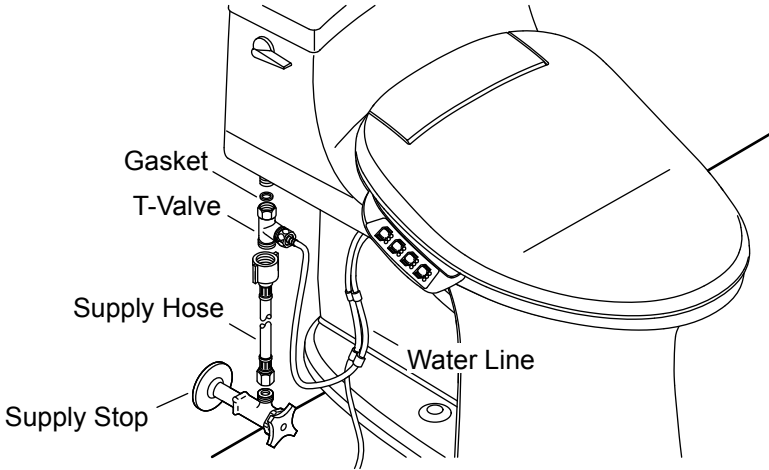
- Press and hold the release button.
- Tilt the seat up and lift to remove. Avoid putting pressure on the hoses.
- Reposition the mounting plate as needed.

### Secure the Seat

- Securely tighten the mounting plate bolts and nuts.
- Engage the rear edge of the seat with the lip on the mounting bracket. Tilt the seat down to lock in place.

## 8. Connect the Water Supply

---



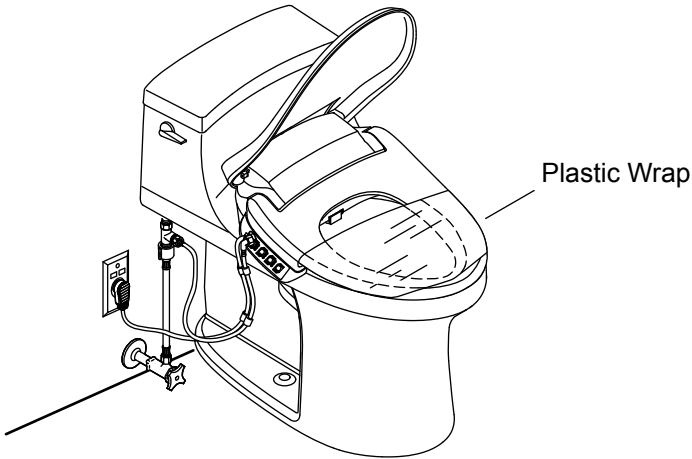
**CAUTION:** Risk of property or product damage. Pushing or pulling on the water connection may cause water leakage.

**NOTICE:** Use care to avoid cross-threading or overtightening the connections. Use an adjustable wrench to tighten one-quarter turn past hand-tight.

- Connect the T-valve to the water line.
- If needed, connect the supply hose to the supply stop.
- Connect the supply hose to the T-valve.
- Verify that the gasket is installed inside the T-valve.
- Connect the T-valve to the water inlet on the toilet tank.
- Turn ON the water supply.
- Check all connections for leaks, and make adjustments as needed.

## 9. Check the Installation

---



**NOTE:** Covering the seat with plastic wrap is optional. The features can be tested while sitting on the cleansing seat or covering the wand with your hand.

**NOTE:** When testing the features, apply pressure to the right side (facing the toilet) of the seat. The features will not activate if there is no pressure on the seat.

- Wrap the seat with plastic wrap. This will prevent water from spraying beyond the toilet while testing.
- Plug the power cord into the electrical outlet. The seat will go through a power-up sequence. The seat will go silent when the power-up is complete.
- Refer to the Homeowners Guide to test the seat features.