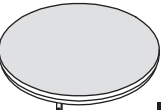
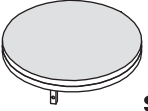
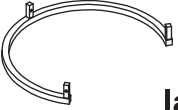
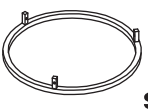
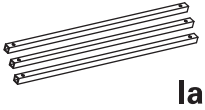
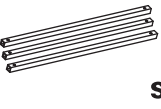
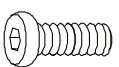



ISLA NESTING END TABLES

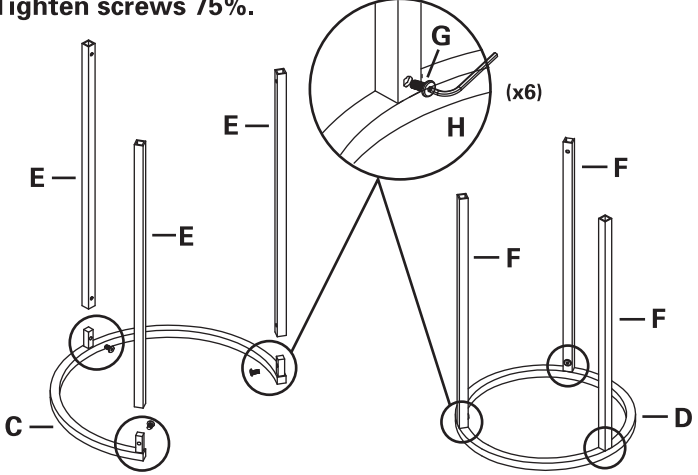
ASSEMBLY INSTRUCTIONS

FIRSTIME & CO.[®]
— HOME FURNISHINGS —

PARTS	
A	 large
B	 small
C	 large
D	 small
E	 large
F	 small
G	 12 PC
H	 1 PC

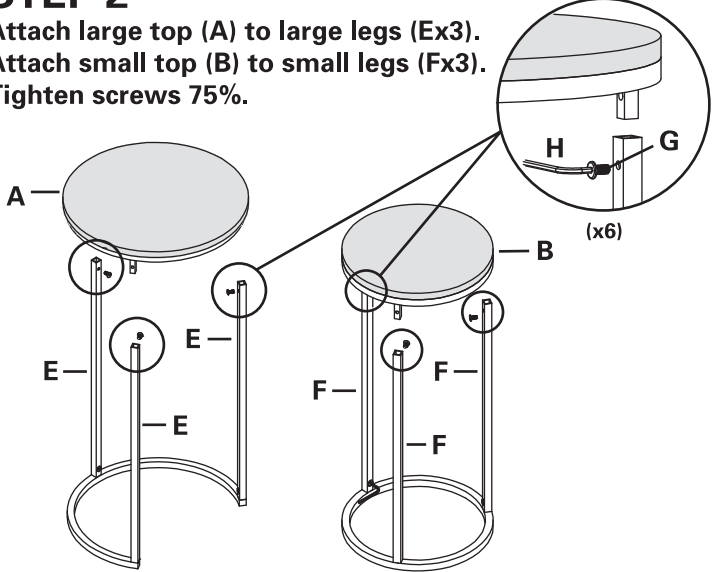
STEP 1

Attach large legs (Ex3) to large base (C).
Attach small legs (Fx3) to small base (D).
Tighten screws 75%.



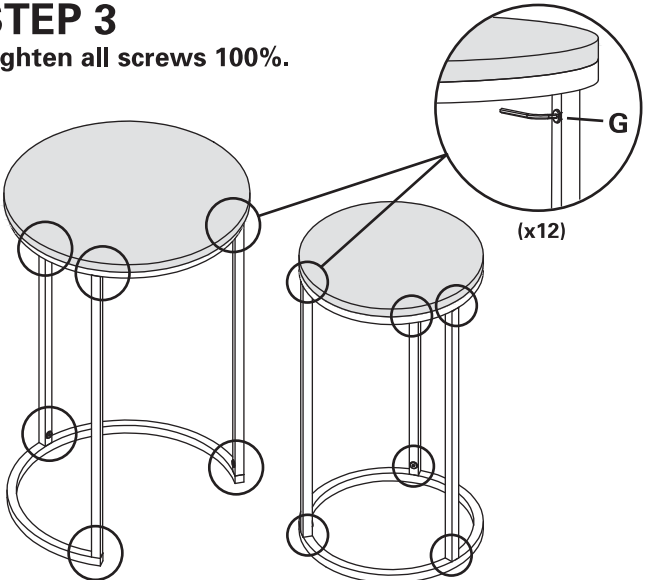
STEP 2

Attach large top (A) to large legs (Ex3).
Attach small top (B) to small legs (Fx3).
Tighten screws 75%.

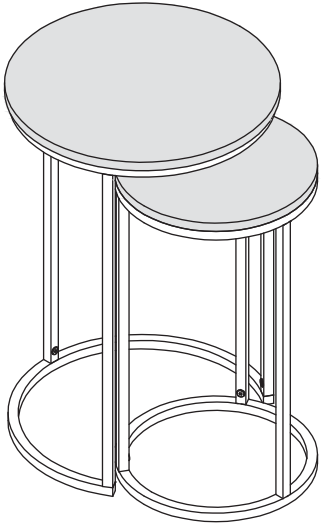


STEP 3

Tighten all screws 100%.



FULLY ASSEMBLED



NOTE: 50 LB. WEIGHT LIMIT. FEET ON BOTTOM (C+D) ARE ADJUSTABLE FOR LEVELING.