

# CAMDEN WOOD BENCH

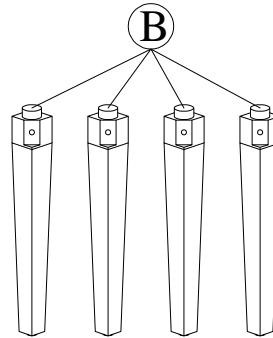
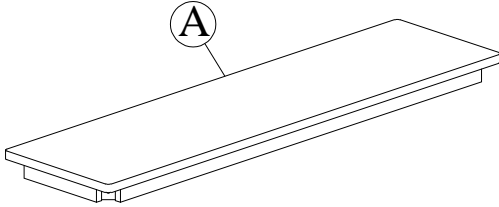
## ASSEMBLY INSTRUCTIONS



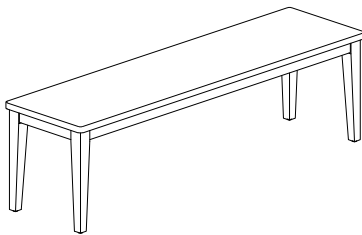
### PARTS PACKING CONFIGURATIONS

A. SEAT 1 PC

B. LEG 4 PCS



### FULLY ASSEMBLED

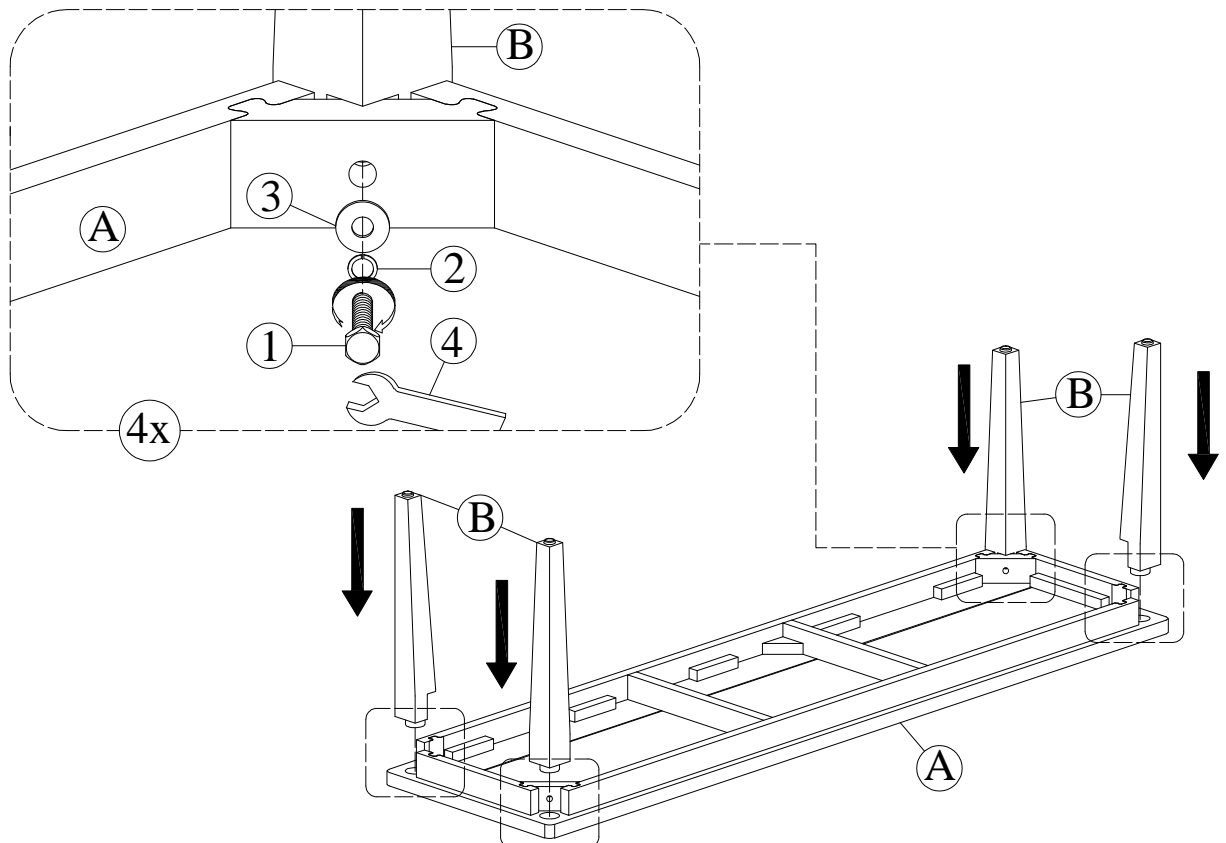


### HARDWARE KIT PACKED IN BOX

No.	Description	Image	Quantity
1	HEX BOLT (8x50mm)		4 PCS
2	SPRING WASHER (M9)		4 PCS
3	FLAT WASHER (M9)		4 PCS
4	WRENCH (13mm)		1 PC



### STEP 1:

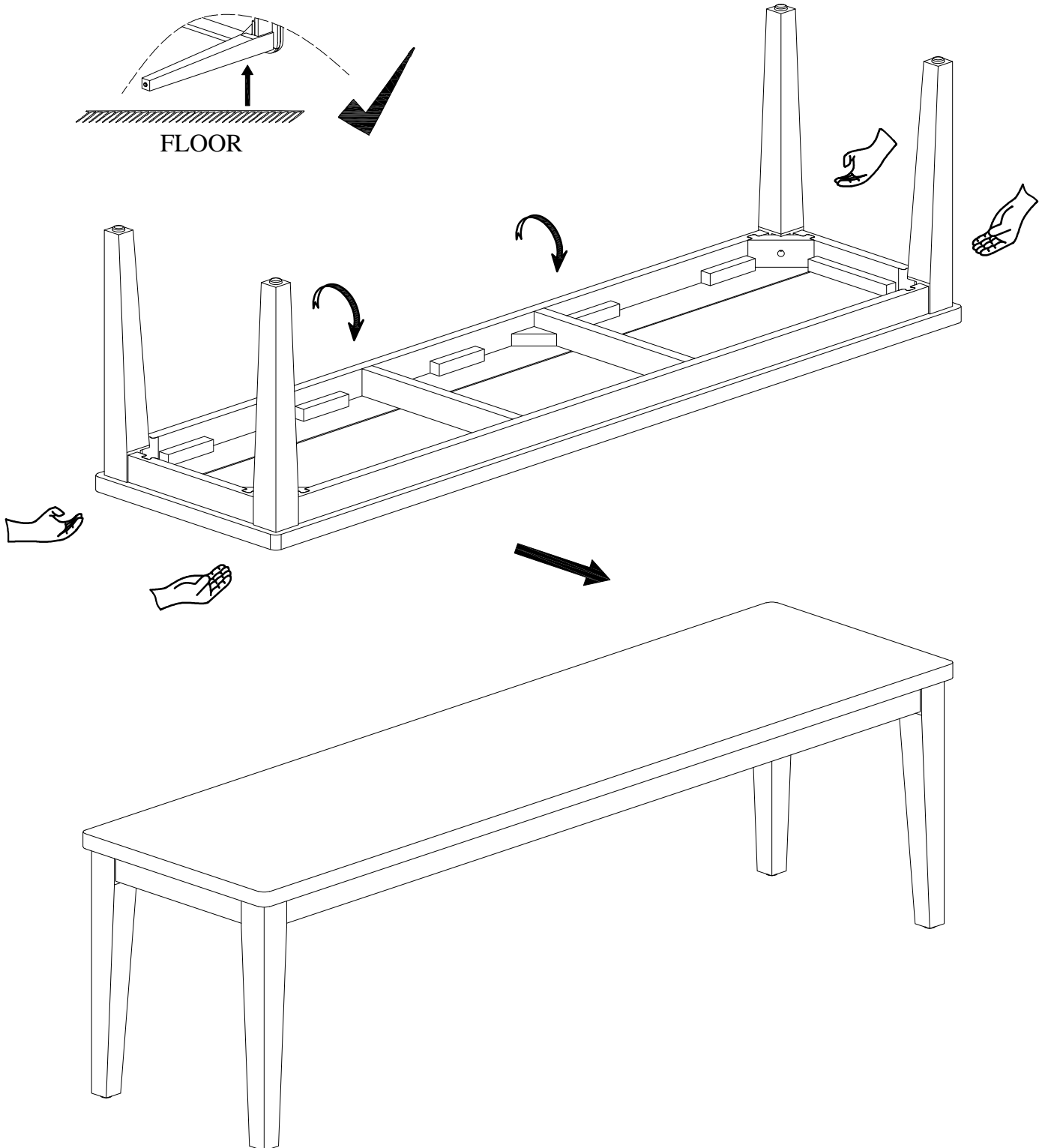
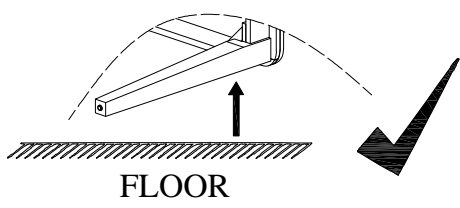
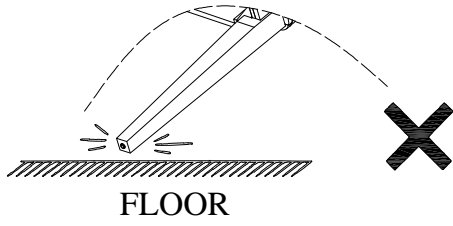


# CAMDEN WOOD BENCH

## ASSEMBLY INSTRUCTIONS



STEP 2:



ASSEMBLY COMPLETE