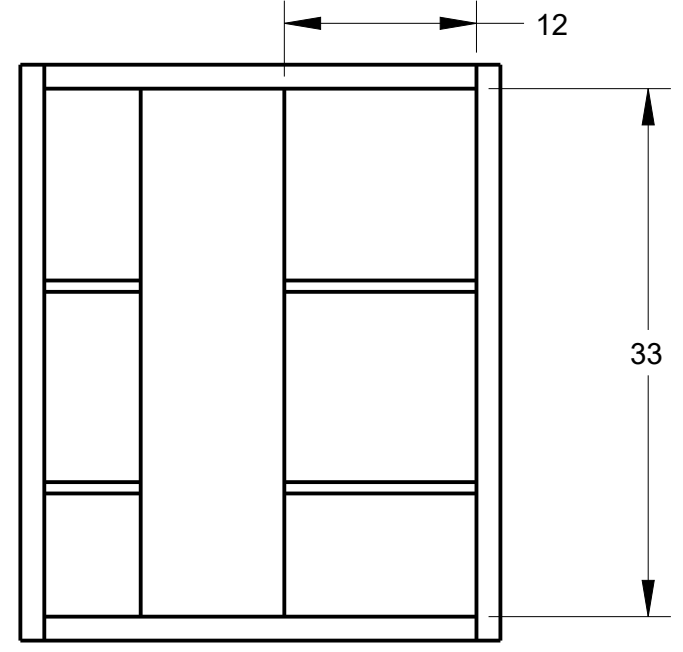
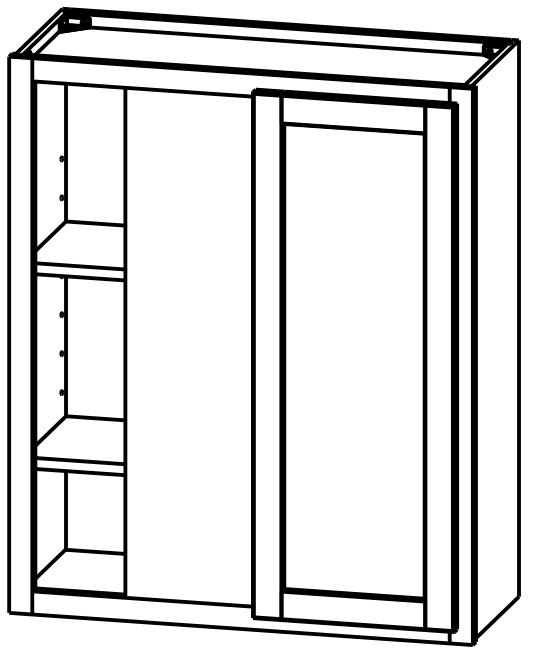
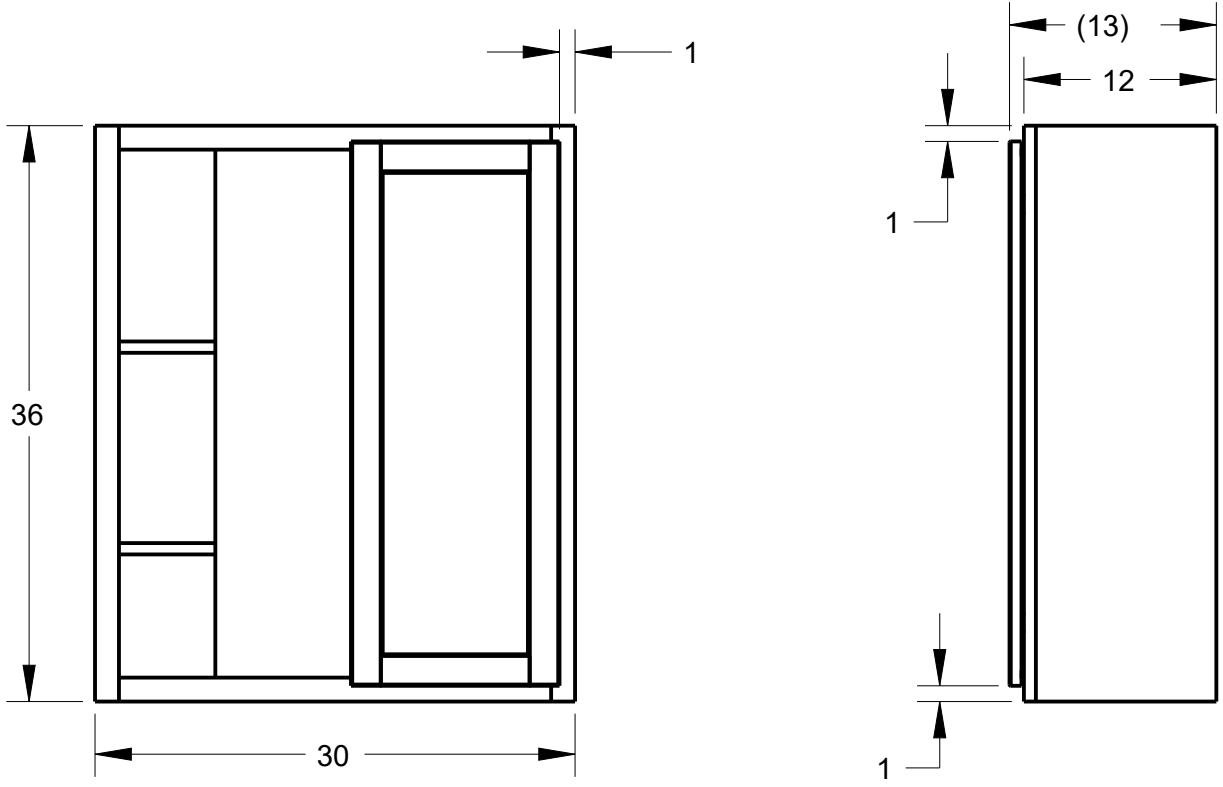


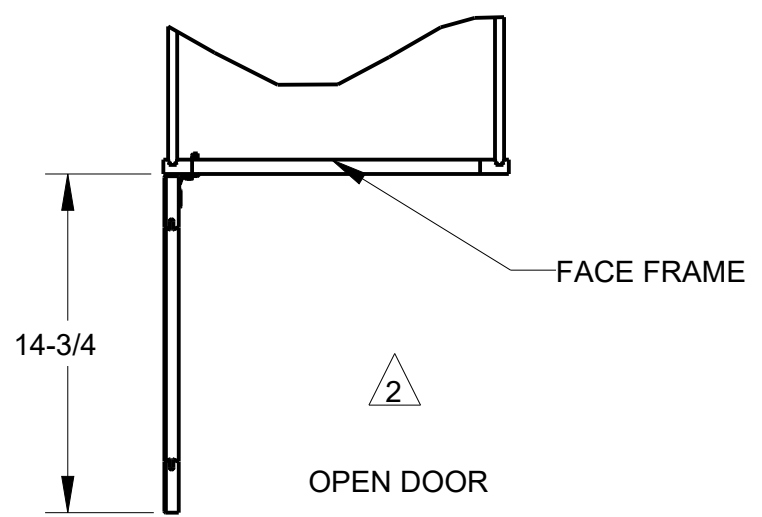
NOTE:

- 1 3" FILLER SOLD SEPERATELY.
- 2 OPEN DOOR VIEW INCLUDES HINGE SPACE OFFSET.

DOOR SIZE
ROUNDED TO THE NEAREST 1/32
13 1/32" X 34 1/32"



CABINET DOOR OPENING



OPEN DOOR

DOCUMENT STATUS	Released
-----------------	----------

THIRD ANGLE PROJECTION 	
MATERIAL N/A	FINISH N/A
DRAWN BY EDVIN GOLESTANYAN	DATE 04MAR2021
DESIGNED BY NORTHPOINT	DATE
APPROVED BY ANDY BROWN	DATE 07MAR2021

<b>hardware resources</b>		
DESCRIPTION		
WBC30-3336U HALF OVERLAY		
DRAWING NUMBER		REV
WBC30-3336U_HALF_OVERLAY		<b>A</b>
SIZE	SCALE	SHEET
A3	0.083	1 / 2

HARDWARE RESOURCES RESERVES THE RIGHT TO CHANGE SPECIFICATIONS WITHOUT NOTICE.  
IN CASE OF A DISCREPENCY, ACTUAL PART GEOMETRY SUPERSEDES THIS DOCUMENT.

THE INFORMATION CONTAINED WITHIN THIS DRAWING IS THE SOLE PROPERTY OF HARDWARE RESOURCES INC. ANY REPRODUCTION IN PART OR WHOLE WITHOUT WRITTEN PERMISSION OF HARDWARE RESOURCES INC. IS PROHIBITED.

