

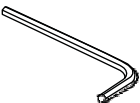
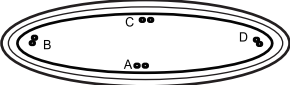
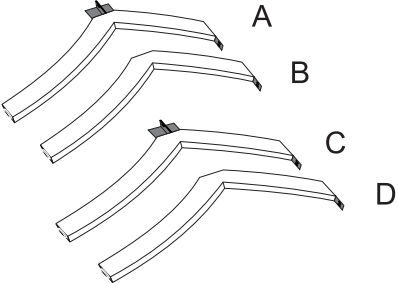
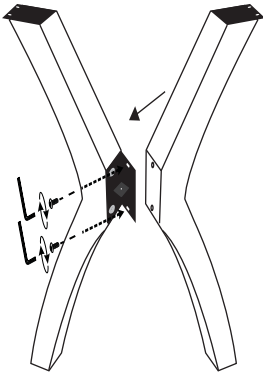
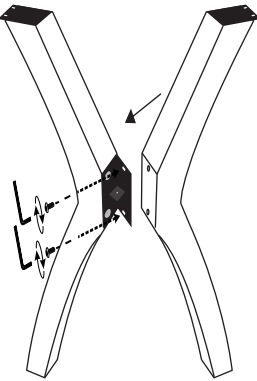
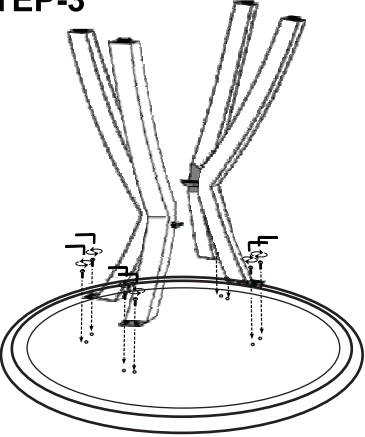
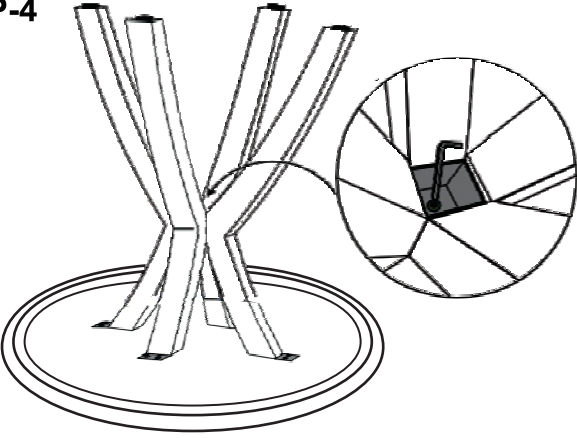
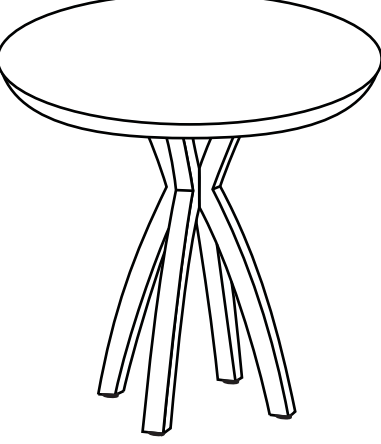


ASSEMBLY INSTRUCTIONS

SOLEYN SIDE TABLE WITH MARBLE TOP

<p>x1</p>  <p>LARGE ALLEN SCREW</p>	<p>x12</p>  <p>SMALL ALLEN SCREWS</p>	<p>x1</p>  <p>ALLEN KEY</p>	 <p>1 PC MARBLE TOP</p>	 <p>4 PCS. WOODEN LEGS</p>
--	--	--	---	--

<p>STEP-1</p>  <p>Align legs A & B with help of small Allen Screws as Shown. Fully tighten the screws.</p>	<p>STEP-2</p>  <p>Align legs C & D with help of small Allen Screws as Shown. Fully tighten the screws.</p>	<p>STEP-3</p>  <p>Align legs A,B and C,D as indicated and fix the marble top with help of small Allen screws. Partially tighten the screws approx 50%.</p>
---	---	---

<p>STEP-4</p>  <p>Secure the leg connection as shown with the help of large Allen screw. The metal ledge of legs C & D should be now over metal ledge of legs A & B . Ensure all screws (center and screws on table top) are fully tightened.</p>	<p>ASSEMBLED</p>  <p>Flip the table and adjust the Levellers If needed to balance on floor.</p>
---	---