

Installation Instructions

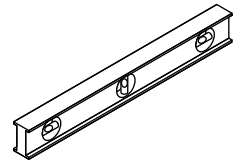
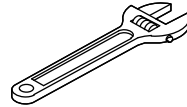
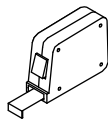
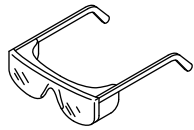
Freestanding/Pedestal Bath

Record your model number:
Noter le numéro de modèle:
Anote su número de modelo: _____

Français, page "Français-1"
Español, página "Español-1"

THE BOLD LOOK
OF **KOHLER**®

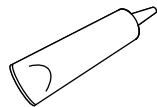
Tools and Materials



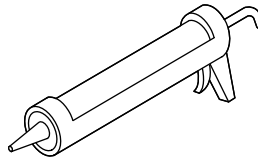
6' (1.83 m)



3/16"



Silicone Adhesive
(Pedestal Base)



Clear 100% Silicone Sealant
(Pedestal Base)

Plus:

- Wood blocks
- Common plumbing tools and materials

Before You Begin



CAUTION: Risk of personal injury. Cast iron baths are extremely heavy. Obtain sufficient help to carefully lift or move the bath.



CAUTION: Risk of product damage. Not recommended for installation in a continuously wet environment.



CAUTION: Risk of product damage. If welding is required, cover the bath's surface to prevent welding deposits from damaging the enamel surface.

IMPORTANT: Prior to installation, carefully inspect all surfaces of the bath. If there are any areas of concern, DO NOT INSTALL. Call 1-800-4KOHLER (1-800-456-4537) for further assistance.

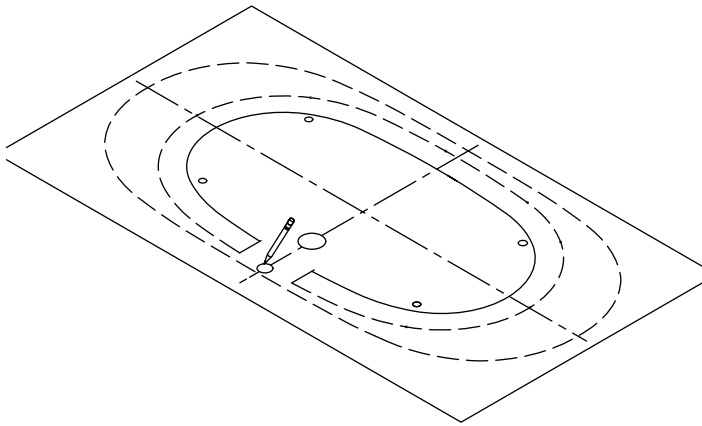
IMPORTANT: The bath must be installed indoors. Outdoor installation will void the warranty.

NOTICE: Provide adequate floor support. Note the bath model number, then visit the product page at kohler.com for additional information.

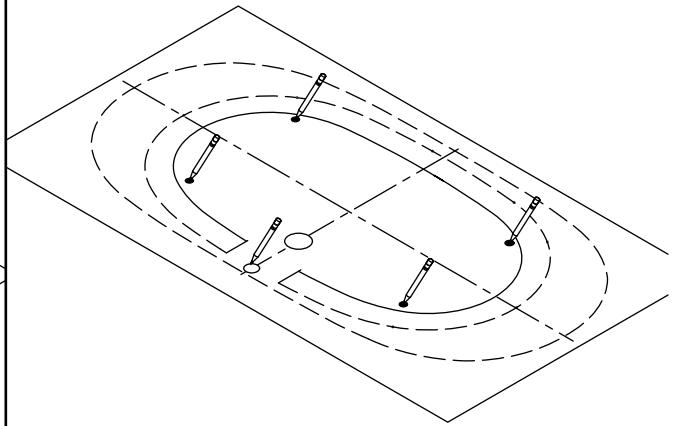
IMPORTANT! To ensure a successful installation, install the bath on a level finished floor.

- Follow all local plumbing and building codes.
- Install this bath in a freestanding installation, with either claw feet or a pedestal base. Follow the instructions that pertain to your chosen installation.
- A full-size template of the bath is included. This template is needed for pedestal base installations. The template is also helpful for freestanding installations.
- Unpack and inspect the bath and components for damage. Return the bath and components to the carton until installation.
- To simplify future maintenance, make sure that all plumbing connections around the bath are easily accessible.
- Carefully plan moving the bath into the installation area. This bath will not easily fit through doorways.
- Two people are needed to install this product. For pedestal base installations, four people lifting the bath into position over the pedestal base will make the installation easier.

Installation with Claw Feet



Installation with Pedestal Base

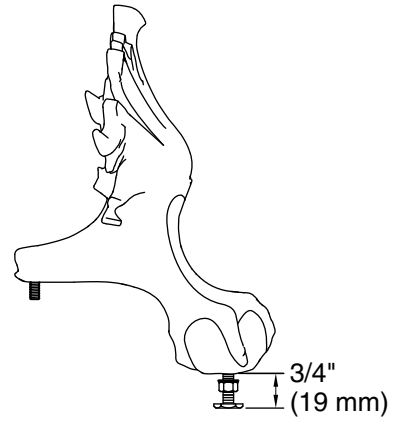
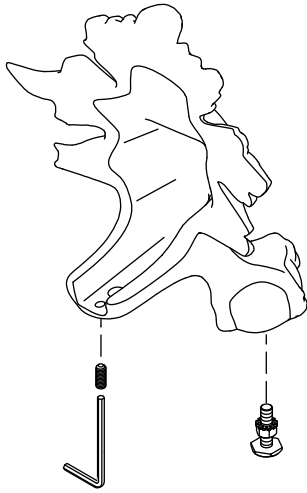


1. Prepare the Site

- Determine the location of the bath.
- Make sure that the subfloor is level, and provides adequate support for the bath.

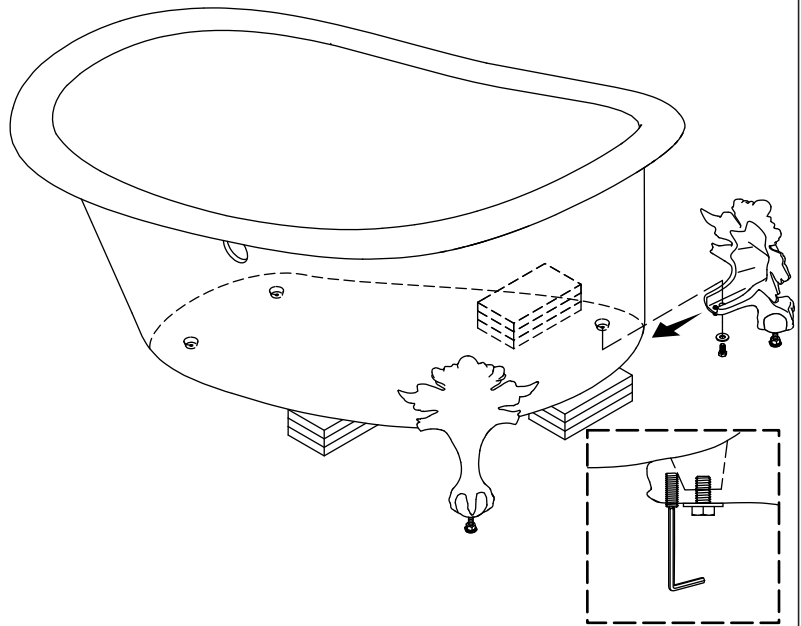
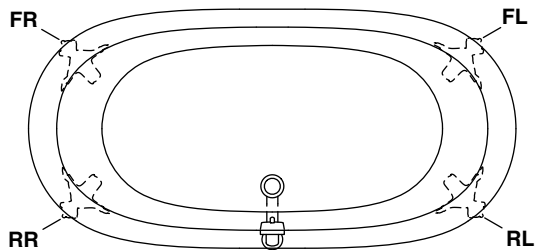
IMPORTANT! To ensure a successful installation, install the bath on a level finished floor.

- Install the finished floor material.
- Cut out the template on the cut-out line, and use the template to determine the installation location.
- **For Installation with Claw Feet:** Mark the drain location on the floor.
- **For Installation with Pedestal Base:** Mark the pedestal base, leg, and drain locations on the floor.
- Install the water supply and drain lines.



2. Assemble the Claw Feet

- Thread a locknut most of the way onto a leveling bolt so the star washer faces away from the bolt head.
- Thread the leveling bolt into the bottom of a claw foot so the bolt head protrudes about 3/4" (19 mm) from the bottom of the claw foot.
- Thread a setscrew into the foot several turns.



3. Prepare the Bath - Claw Feet

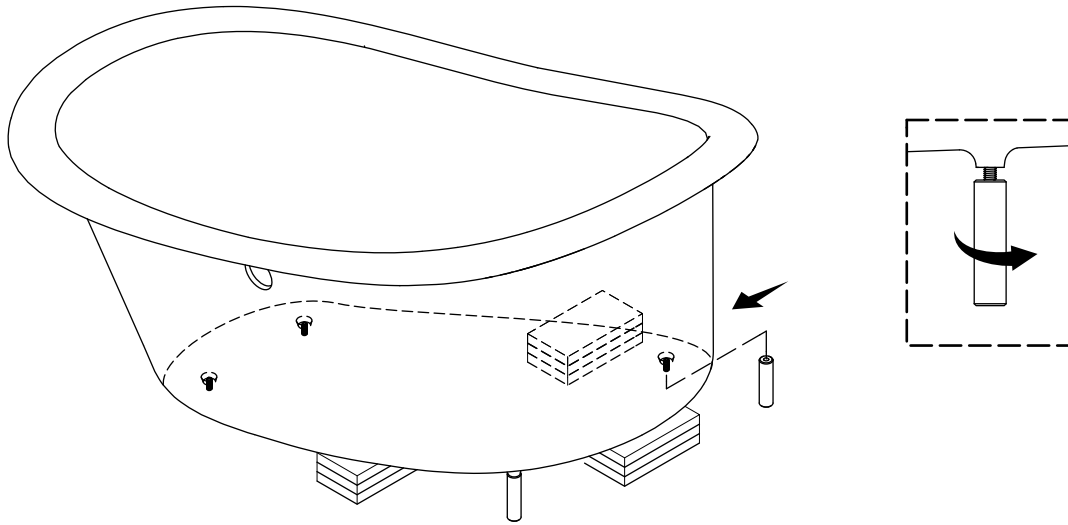


CAUTION: Risk of personal injury. Cast iron baths are extremely heavy. Obtain sufficient help to carefully lift or move the bath.

- With help, lift and position one end of the bath on blocks so the end of the bath is about 8" (203 mm) above the finished floor.

IMPORTANT! Each claw foot is marked to identify its correct location on the bath. Refer to the illustration above.

- Position the claw foot over the lug in the correct corresponding corner of the bath.
- Thread the bolt and washer into the lug several turns. Do not tighten the bolt at this time.
- Use your hand to press the claw foot flush against the bath surface. Use a 3/16" hex wrench to turn in the setscrew until the claw foot holds flush against the bath wall by itself.
- If the claw foot does not hold itself flush against the bath wall, loosen the bolt and washer slightly, and continue turning in the setscrew.
- Repeat the foot adjustment steps until the claw foot holds itself flush against the bath wall.
- Once the foot holds itself flush against the bath wall, securely wrench-tighten the bolt.
- Repeat this procedure for the other claw feet, carefully moving the blocks to raise the other end of the bath.
- With help, carefully remove the blocks.

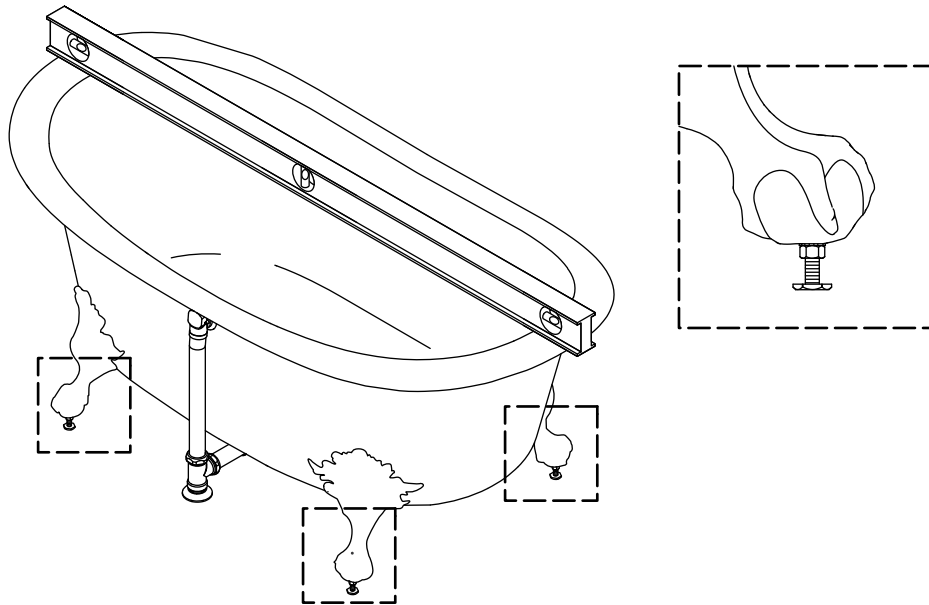


4. Prepare the Bath - Pedestal Base



CAUTION: Risk of personal injury. Cast iron baths are extremely heavy. Obtain sufficient help to carefully lift or move the bath.

- With help, lift and position one end of the bath on blocks so the end of the bath is about 6" (153 mm) above the finished floor.
- Use a 3/16" hex wrench to thread the setscrews into the bath lugs.
- Thread the legs into the exposed bath lug setscrews until hand tight.
- Repeat this procedure for the other legs, carefully moving the blocks to raise the other end of the bath.
- With help, carefully remove the blocks.



5. Install the Bath - Claw Feet



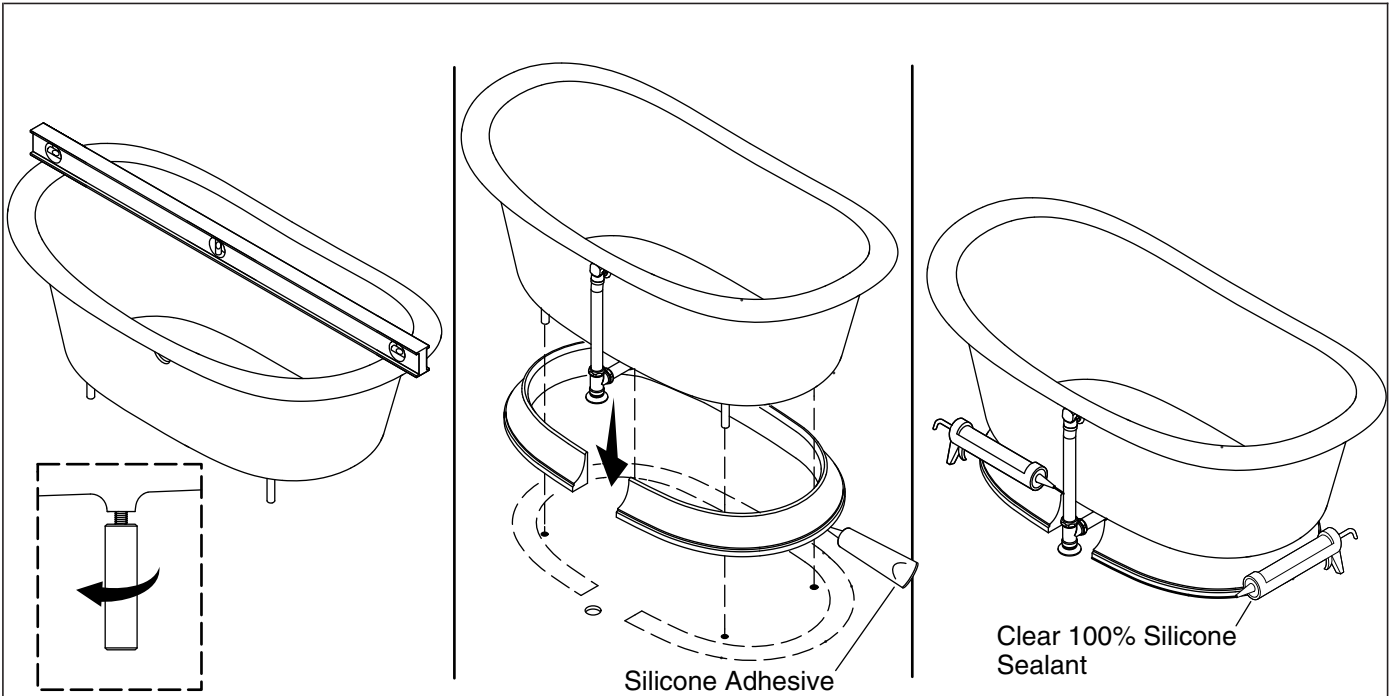
CAUTION: Risk of personal injury. Cast iron baths are extremely heavy. Obtain sufficient help to carefully lift or move the bath.

IMPORTANT! Do not damage the feet or legs by dragging or sliding the bath across the floor.

- Install the drain according to the installation instructions included with the drain.

IMPORTANT! Get sufficient help to lift this bath into place.

- With help, carefully lift the bath into position over the drain and water supply locations.
- Use a 6' (1.83 m) level to check for level across the width and length of the bath rim.
- Turn one or more levelers in or out slightly as needed to adjust the bath for level, and to eliminate any gaps between the feet and the floor.
- Turn the locknuts up against the bottom of the claw feet, and securely wrench-tighten.



6. Install the Bath - Pedestal Base



CAUTION: Risk of personal injury. Cast iron baths are extremely heavy. Obtain sufficient help to carefully lift or move the bath.

- Install the drain according to the installation instructions included with the drain.

IMPORTANT! Kohler Co. recommends that four people, one at each corner, lift this bath into place in the pedestal base.

IMPORTANT! Make sure that all four legs firmly contact the finished floor.

- With help, carefully lift the bath into place on the finished floor so the legs rest on the four template marks.
- Use a 6' (1.83 m) level to check for level across the width and length of the bath rim.
- Turn one or more legs out slightly as needed to adjust the bath for level, and to eliminate any gaps between the legs and the floor.
- With help, carefully lift the bath out of the way.
- Apply a generous bead of silicone adhesive to the bottom of the pedestal base.

NOTE: Make sure to position the pedestal base so the gap is on the drain side of the installation.

- Press the pedestal base into position at the marked pedestal base line on the finished floor.
- With help, carefully lift the bath into position inside the pedestal base.
- Apply a bead of clear 100% silicone sealant over the seam between the bath and the pedestal base.
- Apply a bead of clear 100% silicone sealant over the seam between the pedestal base and the finished floor.

7. Make the Final Connections

- Install the faucet, and make the final drain and water supply line connections.
- Close the bath drain. Fill the bath to the overflow, and check for leaks.

Care and Cleaning

For best results, keep the following in mind when caring for your KOHLER product:

- Always test your cleaning solution on an inconspicuous area before applying to the entire surface.
- Wipe surfaces clean and rinse completely with water immediately after applying cleaner. Rinse and dry any overspray that lands on nearby surfaces.
- Do not allow cleaners to soak on surfaces.
- Use a soft, dampened sponge or cloth. Never use an abrasive material such as a brush or scouring pad to clean surfaces.
- The ideal cleaning technique is to rinse thoroughly and blot dry any water from the surface after each use.
- Use a soft nylon brush on Safeguard® slip-resistant surfaces. Be sure to use a water-soluble cleaner (dissolves 100% in water).

For detailed cleaning information and products to consider, visit kohler.com/clean. To order Care & Cleaning information, call 1-800-456-4537.

Warranty

Need help? Contact our Customer Care Center.

USA/Canada: 1-800-4KOHLER (1-800-456-4537), Mexico:
001-800-456-4537

For service parts information, visit kohler.com/serviceparts.

For care and cleaning information, visit kohler.com/clean.

This product is covered under the **KOHLER® Enameled Cast Iron Bath and Shower Base Lifetime Limited Warranty**, found at kohler.com/warranty. For a hardcopy of warranty terms, contact the Customer Care Center.