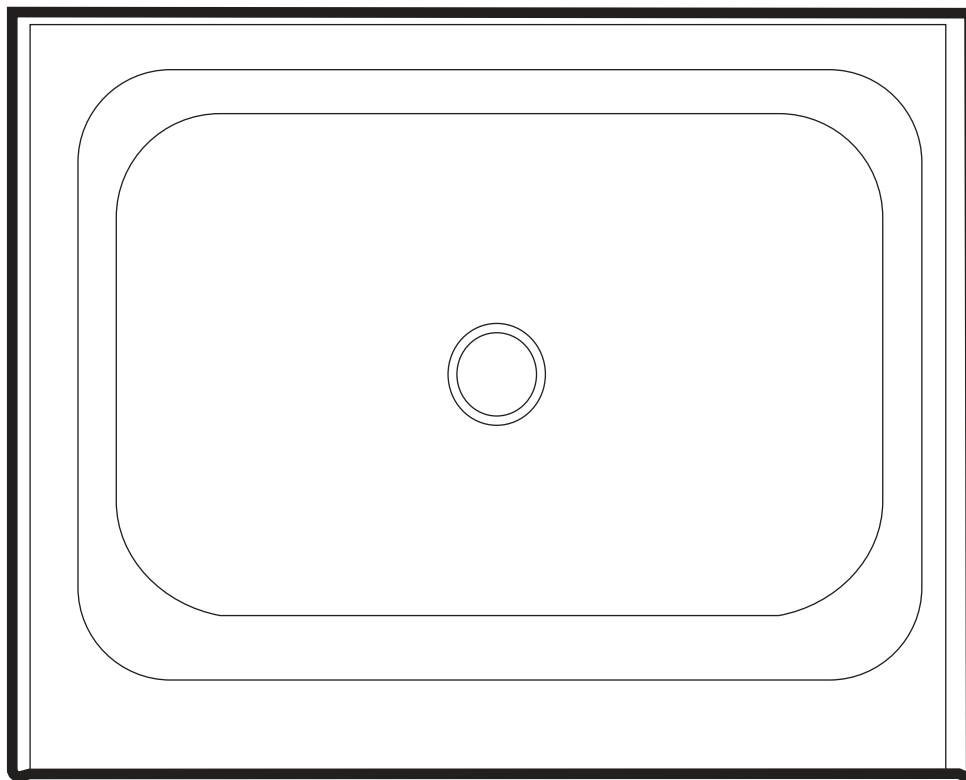


Shower Base

INSTALLATION INSTRUCTIONS





PRIOR TO INSTALLATION:

- Inspect product to ensure no damages have occurred while in shipping.
- Observe all plumbing and building codes in accordance with your state and local requirements.
- All dimensions are nominal! Be sure to measure your shower prior to installation.
- The step-by-step guidelines in the installation instructions are a general reference. Should there be any discrepancies, Swiss Madison cannot be held liable. It is recommended to install all Swiss Madison products by hiring a licensed professional.
- Read installation and maintenance instructions thoroughly before installing. Be sure to use proper tools and always wear proper personal safety accessories for your protection.
- Two people are recommended to handle and install this product.
- Make sure all wood studs and supports are properly installed.
- Verify all the necessary plumbing is installed by a certified plumber.
- Floor drain and trap are not included.
- Do not use drywall screws to secure flangers to wall studs. Product damage will occur and will void the warranty. Entire bottom support must be in contact with a flat, level surface.

QUESTIONS OR CONCERNS?

Please contact us:

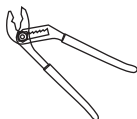
1-434-623-4766

info@swissmadison.com

SUGGESTED TOOLS & MATERIALS:



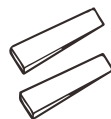
Safety Glasses



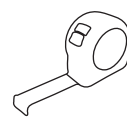
Pliers



Pencil



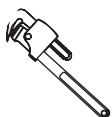
Shims



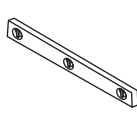
Tape Measure



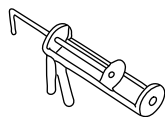
Plastic Film



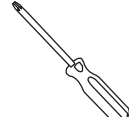
Wrench



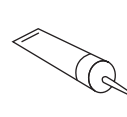
Level



Caulk Gun



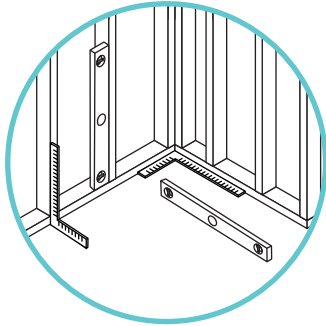
Screwdriver



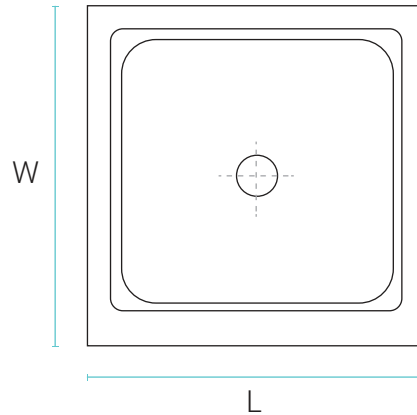
Sealant
(1 tube)

1 Rough-In

- Rough plumbing must be pre-installed by a certified plumber before installation.
- If floor drain-hole installation is needed, contact a certified plumber.
- Dimensions given during roughing-in are crucial for a proper installation.

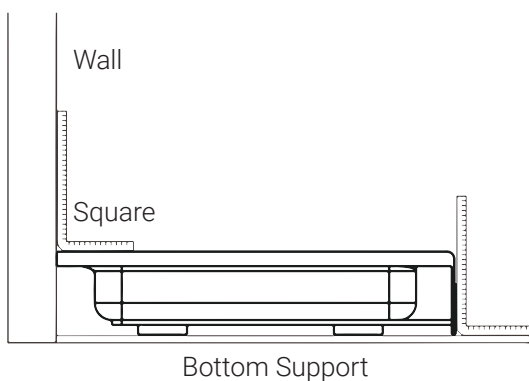


Studs must be flush and square.
Stud opening tolerance is
+1/4" and -1"



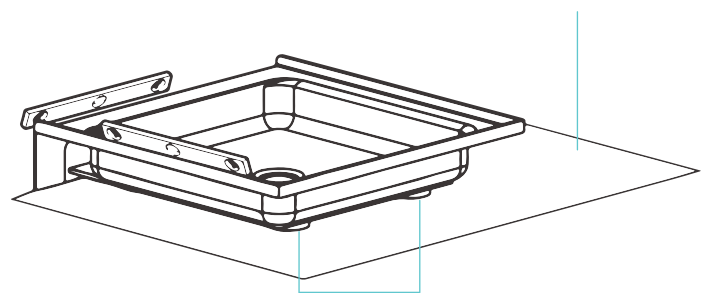
2 Level the Floor

- A) Verify that the shower base is level using the "level" tool on all four sides.
- If the shower base is level proceed to step B.
- If shower base is not yet level use shims or mortar compound to adjust accordingly. Verify with a level.
- B) Mark drain hole on floor. All in floor plumbing must be installed by a licensed plumber.



Bottom Support

To ensure base is installed correctly, entire bottom support must contact a flat, level surface



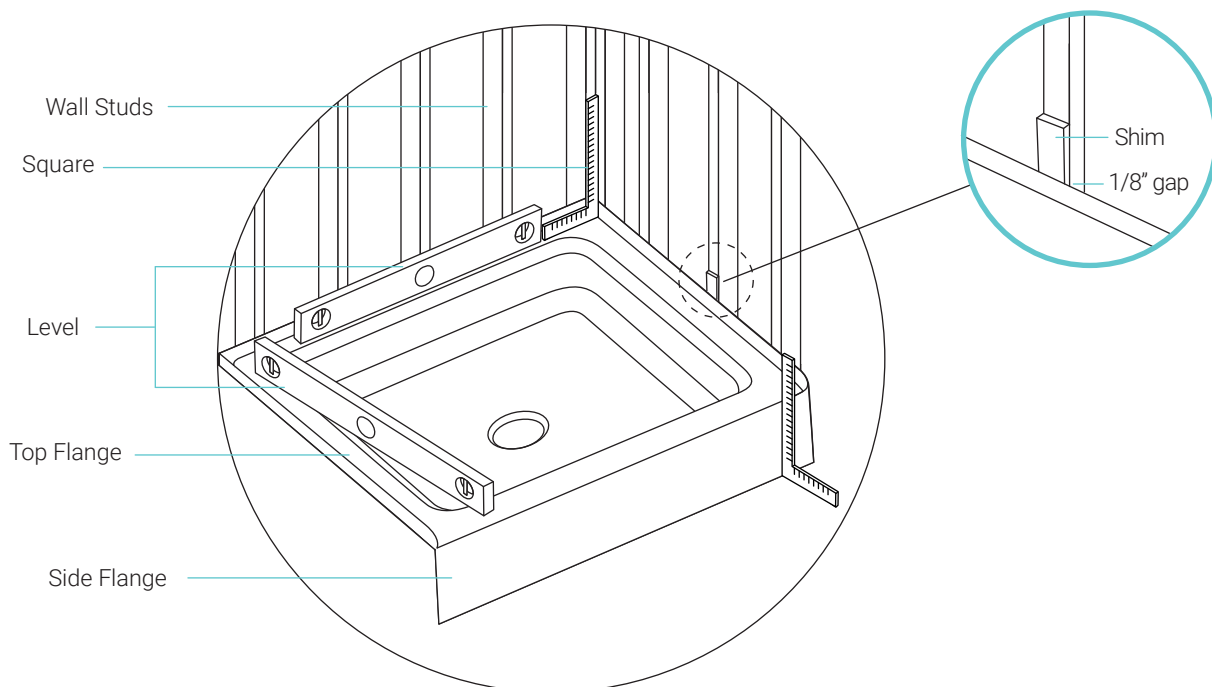
Bottom Support

3 Pre-Attach Drain

- Ensure that the waste pipe is properly located to align with the drain assembly (not included).
- The subfloor opening should be 5" maximum in diameter.
- The drain pipe should extend 1-3/4" maximum above the subfloor.

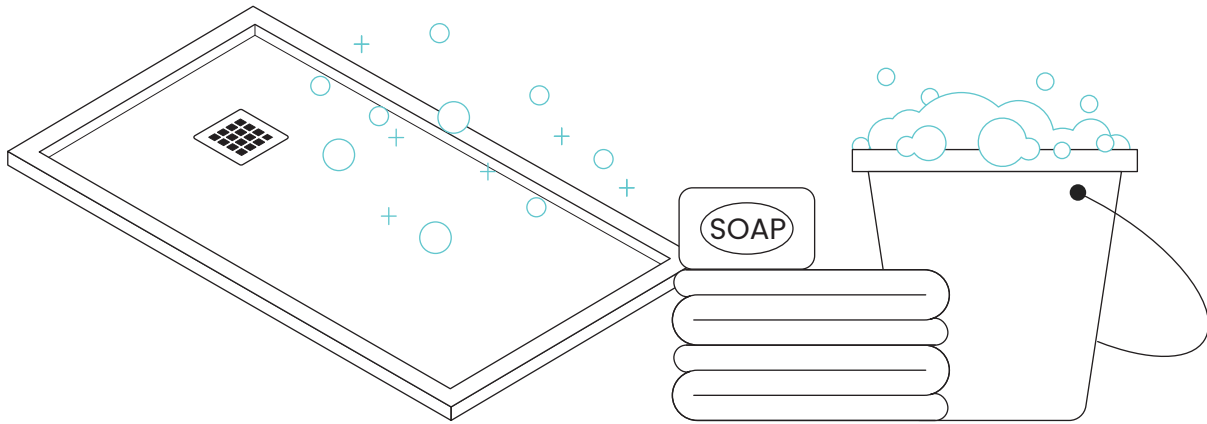
4 Install Shower Base

- Re-insert shower pan into shower cavity making sure that the shower base drain and floor rough-in are aligned.
 - Before laying down shower base, fill shower cavity with expanding foam in snake formation. Leave 6-8 inches from end of shower area empty if expanding foam.
 - Re-insert shower pan into shower cavity leaving 1/8" (use shims) between wood studs and shower base on all sides.
 - Verify shower base is level using level tool on all 4 sides.
- NOTE:** Expanding foam generally settles within 10-15 minutes.
- Place a drop cloth inside the shower base and stand on it to press the base firmly to the floor while securing it to the wall studs.

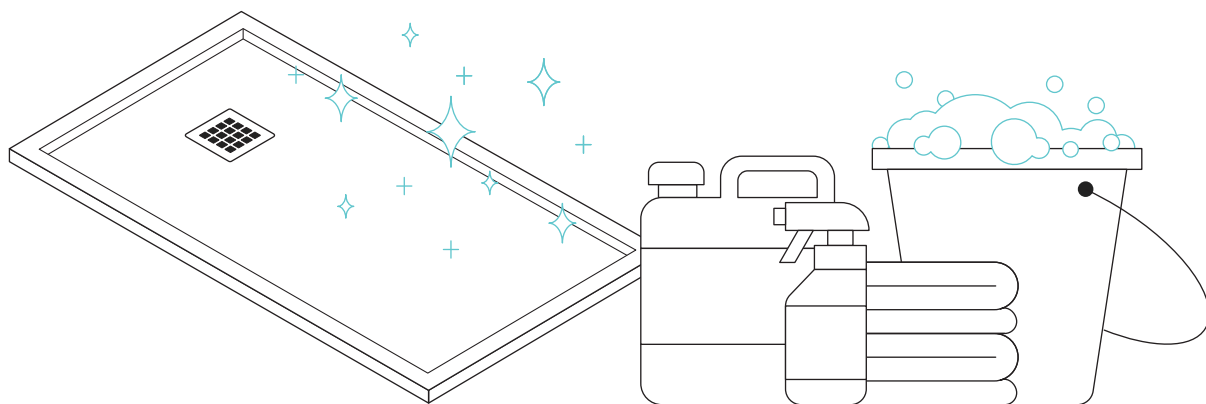


5 Routine Maintenance

- You may use soap and water with a soft cloth or cleaning cloth. Do NOT use a scouring pad or sponge to avoid scratching. Daily cleaning is recommended.



- For a deeper clean, you may use a commercial cleaning product, but it is important to rinse thoroughly and ensure the pan dries after cleaning to avoid prolonged stains.



ONE-YEAR LIMITED WARRANTY

Swiss Madison® products are made with quality materials and excellent craftsmanship to provide our customers with beautiful, durable, long-lasting products. Should there be any defects in materials or craftsmanship under regular use that are discovered within the first year after delivery, Swiss Madison® will provide replacement parts at no charge, or at its discretion, replace any product or part of the product that is deemed defective, under normal installation, use, service or maintenance. This warranty applies only to the original purchaser. Proof of purchase must be submitted with any warranty claim.

Swiss Madison® recommends that all installations of Swiss Madison® products to be conducted by a licensed plumber or contractor. Swiss Madison® will not be held responsible for any damage or product failure due to improper installation, misuse, or failure to utilize a licensed plumber or contractor for installation. Swiss Madison® is not responsible for any installation or removal costs.

THIS ONE-YEAR LIMITED WARRANTY WILL BE VOIDED IF:

- The installation instructions were not followed by the installer
- The product has been moved from its initial place of installation
- The product has in any way been modified from its original condition
- The product has been subjected to improper maintenance, abuse, misuse, excessive use of chemicals, accidents, or other damages

Swiss Madison® makes no warranty that its products comply with any local building or plumbing codes. It is the consumer's responsibility and obligation to determine local code compliance prior to and during installation.

Swiss Madison® is not responsible for any special, incidental or consequential damages associated with the installation, replacement, return or use of the original purchaser's product. This includes, but is not limited to: freight costs, labor, travel time, lost profit, home damages and other contingent liabilities and costs (including, without limitation, costs associated with 'professionals' or 'experts', investigations, audits, analyses, attorneys and any other professional/hired services). Some states do not allow the exclusion or limitation of incidental or consequential damages, so the above limitation or exclusion may not apply to you.

The Swiss Madison® warranty is a comprehensive and explicit limit of liability. All other warranties are hereby disclaimed and waived.

QUESTIONS OR CONCERNS? Please contact us directly at: 1-434-MADISON (623-4766)



WARNING:

Contents of your order may contain sharp and possibly other harmful pieces and may cause hazard to children and adults. Swiss Madison® is not responsible in any way for personal injuries or damages.