

## For Residential and Commercial Applications

Job Name:

Engineer/Architect:

Job Location:

Wholesaler:

Submittal Date:

Contractor:

### PLB104 1/4 Turn Angle Stop – Barbed PEX Inlet

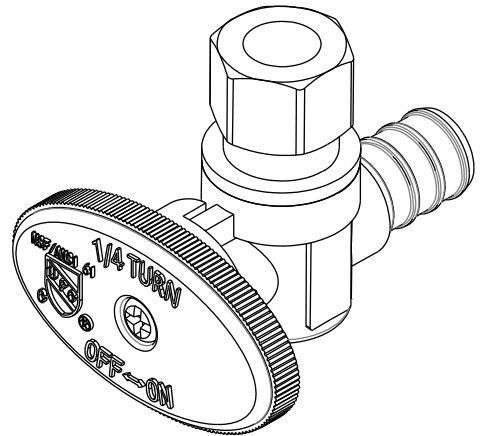
**Use:** For use only in potable water distribution systems, hot and cold, in accessible locations only.

**Part Listing:**

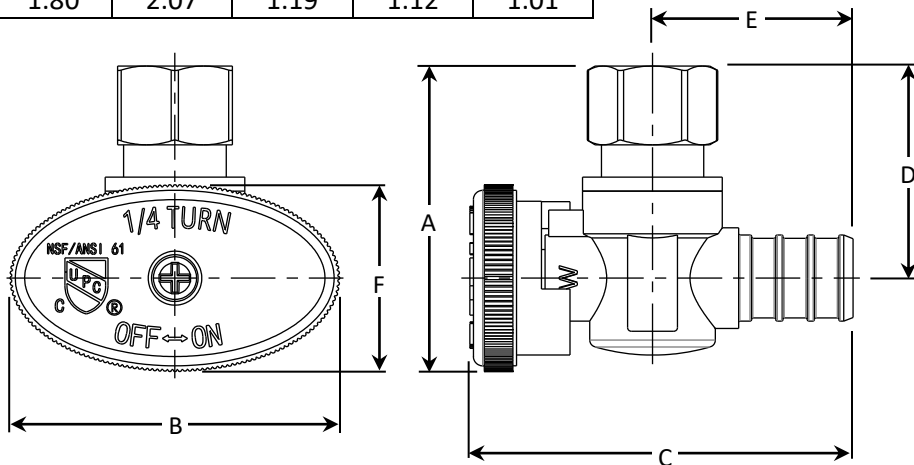
- PLB104X P 1/2" Nom Crimp Barb (for PEX) x 3/8" OD Compression, Chrome Plated, Bagged

STOP MATERIAL SPECIFICATIONS	
<b>Body</b>	Brass, plated
<b>Stem</b>	Brass
<b>Ball</b>	Brass, plated
<b>Seats</b>	PTFE
<b>O-ring</b>	Rubber
<b>Handle</b>	ABS, plated
<b>Handle Screw</b>	Stainless steel
<b>Compression Nut</b>	Brass, plated
<b>Compression Sleeve</b>	Brass
<b>Adaptor</b>	Brass, plated

Operating Specifications	
<b>Temperature</b>	<b>Pressure</b>
Intermittent 40°- 160°F	125 PSI maximum



PART DIMENSIONS (Inches)						
Model	DIM. A	DIM. B	DIM. C	DIM. D	DIM. E	DIM. F
PLB104X	2.08	1.80	2.07	1.19	1.12	1.01



**Listings & Certifications:**

- IAPMO listed to ASME A112.18.1 / CSA B125.1 (includes NSF/ANSI 372 and NSF61)



NSF/ANSI/  
CAN61:Q≤0.5



*This specification and all information contained herein is the confidential and exclusive property of BrassCraft Manufacturing Company and shall not be disclosed to others without the written consent of BrassCraft. This specification must be returned to BrassCraft if requested.*

*\*Products shown may differ from those available in the Canadian market.*

**PLUMBSHOP®**